



Color: Bronze

Weight: 2.3 lbs

Project:

Type:

Prepared By:

Date:

Driver Info

Type	Constant Current
120V	0.26A
208V	0.15A
240V	0.13A
277V	0.12A
Input Watts	29.2/29.6/30.6W

LED Info

Watts	30W
Color Temp	3000K/4000K/5000K
Color Accuracy	81-83 CRI
L70 Lifespan	100,000 Hours
Lumens	3947/4362/4207 lm
Efficacy	135.3/147.2/137.6 lm/W

Technical Specifications**Field Adjustability****Field Adjustable:**

Color temperature selectable by 3000K, 4000K and 5000K

Compliance**UL Listed:**

Suitable for wet locations

IESNA LM-79 & LM-80 Testing:

RAB LED luminaires and LED components have been tested by an independent laboratory in accordance with IESNA LM-79 and LM-80.

IP Rating:

Ingress protection rating of IP65 for dust and water

DLC Listed:

This product is listed by Design Lights Consortium (DLC) as an ultra-efficient premium product that qualifies for the highest tier of rebates from DLC Member Utilities. Designed to meet DLC 5.1 requirements.

DLC Product Code: S-J0FC5L

Performance**Lifespan:**

100,000-Hour LED lifespan based on IES LM-80 results and TM-21 calculations

Wattage Equivalency:

Equivalent to 100W Metal Halide

LED Characteristics**LEDs:**

Long-life, high-efficiency, surface-mount LEDs

Color Uniformity:

RAB's range of Correlated Color Temperature follows the guidelines of the American National Standard for Specifications for the Chromaticity of Solid State Lighting (SSL) Products, ANSI C78.377-2017.

Electrical**Driver:**

Constant Current, Class 2, 120-277V, 50/60 Hz, 120V: 0.26A, 208V: 0.15A, 240V: 0.13A, 277V: 0.12A

Dimming Driver:

Driver includes dimming control wiring for 0-10V dimming systems. Requires separate 0-10V DC dimming circuit. Dims down to 10%.

Photocell:

120-277V Discreet, integrated button photocell included. Photocell is compatible with 120V-277V.

Construction**Cold Weather Starting:**

The minimum starting temperature is -40°C (-40°F)

Ambient Temperature:

Suitable for use in up to 45°C (113°F)

Housing:

Precision die-cast aluminum

Mounting:

Heavy duty, die-cast junction box with four (4) conduit entries (one top, two side, one back)

Finish:

Formulated for high durability and long-lasting color

Green Technology:

Mercury and UV free. RoHS-compliant components.

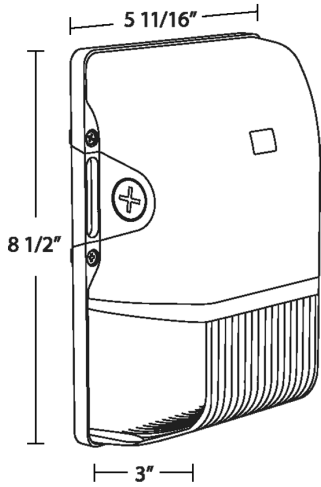
Other**5 Yr Limited Warranty:**

The RAB 5-year, limited warranty covers light output, driver performance and paint finish. RAB's warranty is subject to all terms and conditions found at rablighting.com/warranty.

Buy American Act Compliance:

RAB values USA manufacturing! Upon request, RAB may be able to manufacture this product to be compliant with the Buy American Act (BAA). Please contact customer service to request a quote for the product to be made BAA compliant.

Dimensions



Features

- DLC Premium listed
- IP65 Rated
- 100,000-Hour LED lifespan
- 5-Year, limited warranty

Ordering Matrix

Family	Wattage	Color Temp	Finish	Voltage	Options
BRISK17FA	30				
	20 = 20W 30 = 30W	Blank = 3000K/4000K/5000K CCT Adjustable	Blank = Bronze W = White	Blank = 120-277V, 0-10V Dimming	Blank = Integrated Button Photocell