



Medium size ceiling mount fixture: 35, 50 and 70 Watt HPS, 50 and 70 Watt Metal Halide. Housing is die cast aluminum with clear vandalproof polycarbonate refractor. Quartz Restrike models available. Lamps supplied.

Color: Bronze

Weight: 7.8 lbs

<b>Project:</b>	<b>Type:</b>
<b>Prepared By:</b>	<b>Date:</b>

Lamp Info		Ballast Info	
Type	ED17	Type	R-NPF 120V
Watts	50W	120V	1.8/1.2A
Shape/Size	N/A	208V	N/A
Base	N/A	240V	N/A
ANSI	N/A	277V	N/A
Hours	24,000	Input Watts	62W
Lamp Lumens	4,000		
Efficacy	64.5 lm/W		

**Technical Specifications**

**Compliance**

**UL Listed:**

Suitable for wet locations. Covered Ceiling Mount Only. Fixtures can be wired with 90°C supply wiring if supply wires are routed 3" away from ballast.

**Electrical**

**Sockets:**

Medium base 4kv Pulse Rated Glazed porcelain

**HID Quartz restrike:**

Add suffix "/QR" to Van3 (50w restrike) or Van5 (100w restrike) for HOT restrike. Provides immediate illumination in case of momentary power failure.

**Optical**

**Refractor:**

Injection molded polycarbonate, designed for maximum structural strength

**Construction**

**Housings:**

Die-cast aluminum with powder coat bronze or white finish

**Screws:**

Tamperproof center pin Torx-head and slotted Phillips head stainless steel screws provided. Be sure to order your Torx screwdriver (Catalog # VANDRIVER).

**Reflectors / Backplate:**

Heavy gauge cold rolled steel with high reflectance baked white enamel

**Conduit Entry:**

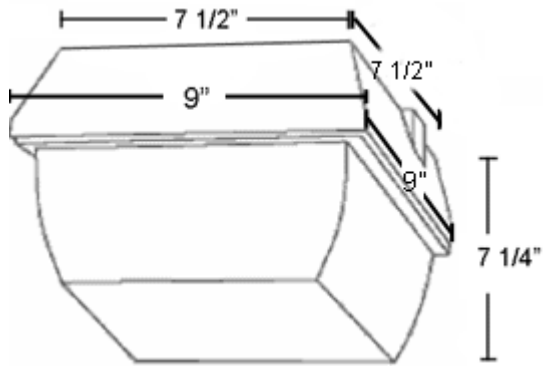
1/2"

**Other**

**Buy American Act Compliance:**

RAB values USA manufacturing! Upon request, RAB may be able to manufacture this product to be compliant with the Buy American Act (BAA). Please contact customer service to request a quote for the product to be made BAA compliant.

## Dimensions



## Features

- Both Vandal proof Center Pin Torx and slotted Phillips head screws supplied
- Tough polycarbonate refractors
- Die cast aluminum housing
- Quartz Restrike available, consult factory