



Wall or ceiling mount to control 500 Watts incandescent or 100 Watts Fluorescent lighting. Vandalproof lens. Full 180° view . Cover not included.

Color: Bronze

Weight: 0.4 lbs

Project:	Type:
Prepared By:	Date:

Technical Specifications

Compliance

UL Listed:

Suitable for wet locations

Construction

Compatibility:

Compatible with most electronic ballasts. Not compatible with instant start ballasts.

Electrical

Voltage:

120 volts AC 60 Hz

Manual Override:

Double flip wall switch logic prevents activation by brief power outages. Resets after 6 hours. No extra wiring needed.

Surge Protection:

Withstands up to 3000 volts

RF Immunity:

Circuits fully shielded for maximum radio frequency immunity

Incandescent Watts Switched:

500 watts @ 120 volts

Fluorescent Watts Switched:

250 watts @ 120 volts

Ratings:

5 amps

Power Consumption:

Negligible

Manual Switch:

None

Switching Capacity:

Relay On/Off Model Switches 240 watts when lights are mounted to sensor. 500 watts Incandescent or 240 watts Fluorescent of remotely mounted lighting @ 120 volts.

Sensor Specifications

Time Adjustment:

5 seconds to 15 minutes

Quick Test Time:

5 second test time for fast installation. Works day or night.

Technical Specifications (continued)

Sensor Specifications

"No Hands" Auto Testing:

Auto mode starts after 4 minutes of testing. No adjustment needed.

Photoelectric Control:

Deactivates lights during daylight. Fully adjustable for 24 hour operation or custom applications.

Time Delay:

5 seconds to 15 minutes

Ambient Light Sensing:

Adjustable

Adjustments:

Time, ambient light & sensitivity

Detection:

180° detection pattern

LED Characteristics

LED Detection Indicator:

LED glows red day & night for "on guard" deterrence

Other

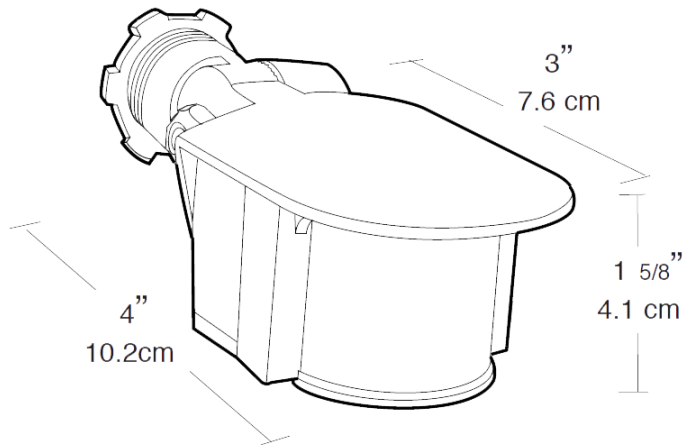
Warranty:

5-year sensor warranty

Buy American Act Compliance:

RAB values USA manufacturing! Upon request, RAB may be able to manufacture this product to be compliant with the Buy American Act (BAA). Please contact customer service to request a quote for the product to be made BAA compliant.

Dimensions



Features

- Surge protected
- 180° detection pattern
- Quick installation with 5 second test time and auto test logic
- LED "on guard" indicator
- Protected manual override with auto reset after 8 hours or at dawn