



A best buy in economical die cast floods. Clean styling. Internal ring gasket. Polyester powder coating. PAR38 150 Watt max. Lamp not supplied.

Color: Silver gray

Weight: 0.2 lbs

Project:	Type:
Prepared By:	Date:

Technical Specifications

Compliance

UL Listed:

Suitable for wet locations

Electrical

Sockets:

Porcelain with all copper current carrying components and spring loaded center contact

Construction

Swivels:

Fully adjustable with sure-grip locknuts. 1/2" NPS threaded arm with locking swivel fits all standard mounting covers.

Housings:

Precision die-cast aluminum. Tuffy flood is molded plastic.

Optical

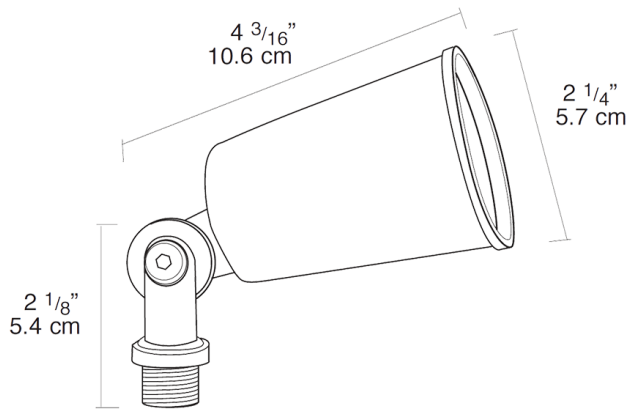
Lamp:

Medium base PAR38 lamps up to 150 watts. lamp not supplied.

Other

Buy American Act Compliance:

RAB values USA manufacturing! Upon request, RAB may be able to manufacture this product to be compliant with the Buy American Act (BAA). Please contact customer service to request a quote for the product to be made BAA compliant.

Dimensions**Features**

- Molded, high temperature silicone gasket
- EZ Grip locknut matches fixture finish and can be adjusted with fingers, pliers or a screwdriver
- Rugged heavy sand die cast aluminum housing with durable powder coating
- Sockets have all copper current carrying components
- Fully adjustable swivel with sure-grip locks
- Mounting arms have 1/2" threads