



The economical R90 floodlight with a molded silicone external gasket to insure superior weatherproof seal. Polyester powder coating. PAR38 150 Watt max. Lamp not supplied.

Color: Silver gray

Weight: 0.4 lbs

|                     |              |
|---------------------|--------------|
| <b>Project:</b>     | <b>Type:</b> |
| <b>Prepared By:</b> | <b>Date:</b> |

**Technical Specifications**

**Compliance**

**UL Listed:**

Suitable for wet locations

**Electrical**

**Sockets:**

Porcelain with all copper current carrying components and spring loaded center contact

**Construction**

**Swivels:**

Fully adjustable with sure-grip locknuts. 1/2" NPS threaded arm with locking swivel fits all standard mounting covers.

**Housings:**

Precision die-cast aluminum. Tuffly flood is molded plastic.

**Optical**

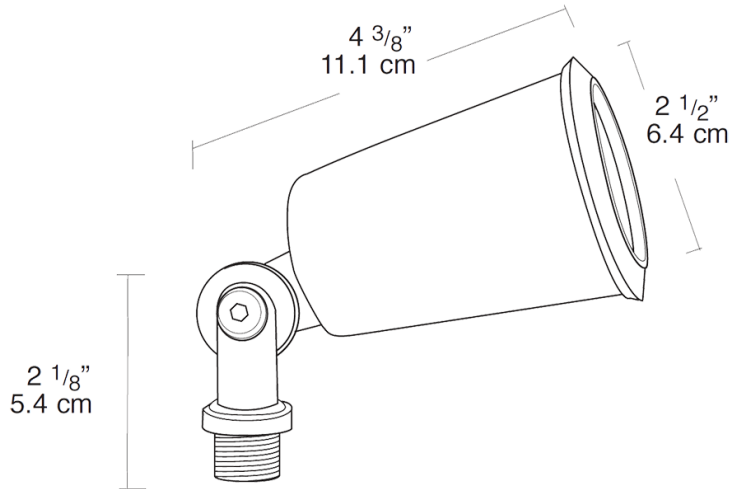
**Lamp:**

Medium base PAR38 lamps up to 150 watts. lamp not supplied.

**Other**

**Buy American Act Compliance:**

RAB values USA manufacturing! Upon request, RAB may be able to manufacture this product to be compliant with the Buy American Act (BAA). Please contact customer service to request a quote for the product to be made BAA compliant.

**Dimensions****Features**

- Molded, high temperature silicone gasket
- EZ Grip locknut matches fixture finish and can be adjusted with fingers, pliers or a screwdriver
- Rugged heavy sand die cast aluminum housing with durable powder coating
- Sockets have all copper current carrying components
- Fully adjustable swivel with sure-grip locks
- Mounting arms have 1/2" threads