



Hood with tempered glass lens reduces glare and protects lamp from water and impact damage. Die cast aluminum. Fits H101 and HB101. Can be combined with HG1 Guard.

Color: Bronze

Weight: 0.8 lbs

Project:

Type:

Prepared By:

Date:

Technical Specifications

Construction

Stealth Accessory:

Guards also fit RAB's Stealth Bullet and Bell Flood Kits. [See Stealth Page.](#)

Material:

Die cast aluminum

Lens:

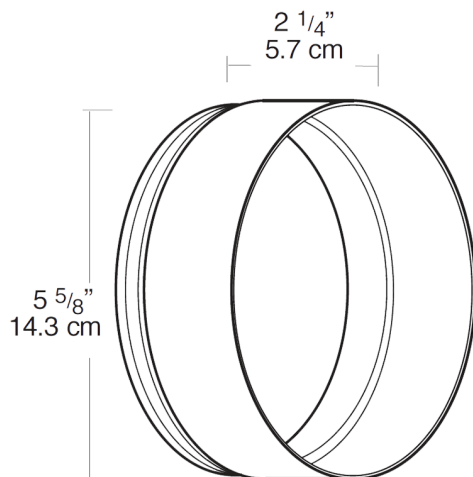
Tempered glass lens included

Other

Buy American Act Compliance:

RAB values USA manufacturing! Upon request, RAB may be able to manufacture this product to be compliant with the Buy American Act (BAA). Please contact customer service to request a quote for the product to be made BAA compliant.

Dimensions



Features

Die cast aluminum

Hood includes tempered glass lens

Glass lens reduces glare

Protects lamp from water and impact damage

Fits H101 and HB101