

Mounting Accessories and options

Catalog #		Type
Project		
Comments		Date
Prepared by		

MOUNTING ACCESSORIES

SLOPE ADAPTORS

HSA-4 = 4"

HSA-6 = 6"

HSA-8 = 8"

"A" = Location of plaster ground	"B" = Ceiling opening
HSA-4= 4-1/6" (103mm)	HSA-4=10-3/8" (264mm)
HSA-6= 4-5/16" (110mm)	HSA-6=11-5/8" (295mm)
HSAC-6= 4-1/8" (105mm)	HSAC-6=11-5/8" (295mm)
HSA-8= 5-11/16" (144mm)	HSA-8=15-3/4" (400mm)

Slope adapters for use with recessed fixtures. .050 spun aluminum, matte white finish. Available in 5°, 10°, 15°, 20°, 25°, 30°, 35°, 40° and 45° slopes. Add slope desired after catalog number (e.g.) HSA-5-20 (Figure 1.).

SLOPE ADAPTORS

HB26 = Pre sized for 24" on center ceiling grids. End of bar folds over to lock bar onto grid without interference from adjacent tile. Can also be used with 16" O.C. grids. Recommended for use in seismic areas. For use with any recessed fixture with universal mounting bracket (Figure 2.).

WOOD JOIST BAR HANGERS

RMB-22 = 22" long (2 per set).

For Mounting almost any Portfolio housing in wood joists up to 24" (Figure 3.).

1-1/2" X 50" C-CHANNEL BAR HANGERS

HB50 = 50" long (2 per set) For use with any recessed fixture with universal mounting brackets (Figure 4.)

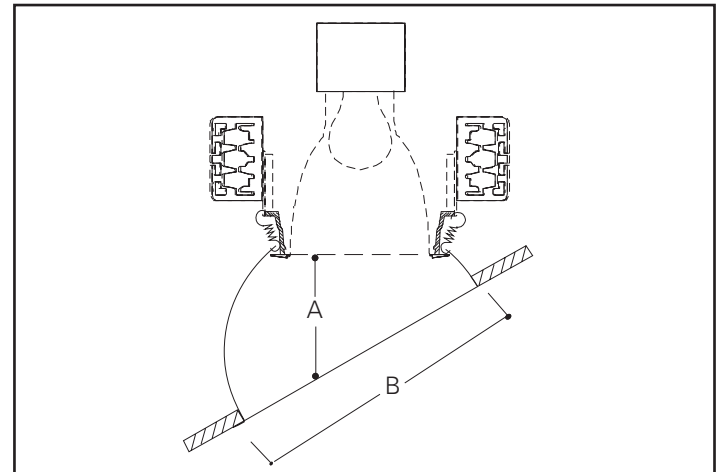


FIGURE 1.

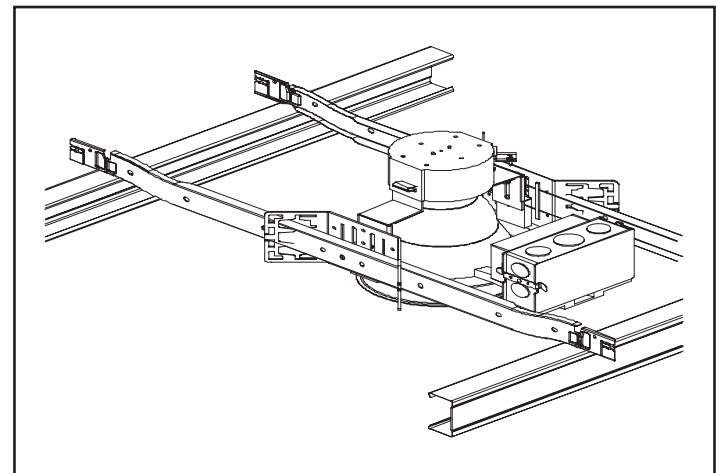


FIGURE 2.

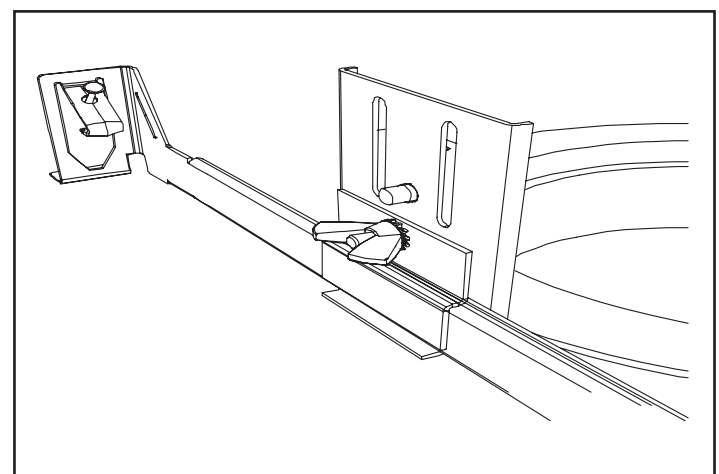


FIGURE 3.

Aircraft Cable for 4, 6, and 8-inch	Type
AC120P =120" Aircraft Cable-White AC48P =48" Aircraft Cable-White AC120MB =120" Aircraft Cable-Black AC48MB =48" Aircraft Cable-Black	3C =3 conductor for use with 120V 2-wire drivers ¹ Blank =5 conductor for use with 0-10V dimming drivers ¹ 6C =6 conductor for use with DL3 3-wire dimming drivers ¹ 5C =5 conductor for use with D5LT drivers ¹

SAMPLE NUMBER: P836MB6C = 36" pendant kit for use with DL3 drivers

Pendant Kits	Finish	Type (with notes)	Length
P836 =Pendant Kit for 6 and 8-inch cylinder, 36" P436 =Pendant Kit for 4-inch cylinder, 36" P236 =Pendant Kit for 2-inch round cylinder, 36" PSQ236 =Pendant Kit for 2-inch square surface mount H836 =Pendant Kit for incandescent cylinders C836 =Pendant Kit for compact fluorescent cylinders	P =White BZ =Bronze MB =Matte Black SL =Silver	3C =3 conductor for use with 120V 2-wire drivers Blank =5 conductor for use with 0-10V dimming drivers 6C =6 conductor for use with DL3 3-wire dimming drivers 5C =5 conductor for use with D5LT drivers DMX =No conductor for use with DMX drivers	Blank =36" SP =*Specify 6" to 144" in 1" increments

SAMPLE NUMBER: 2RCPSMLP = Low profile canopy for 2-inch junctionbox

2-Inch Canopies	Size	Finish
2RCP =Round 2SQCP =Square Canopy	SML =For 2-inch junction box STAN =For standard junction box	P =White MB =Black SL =Silver BZ =Bronze

Notes:

¹ 4", 6" and 8" only.

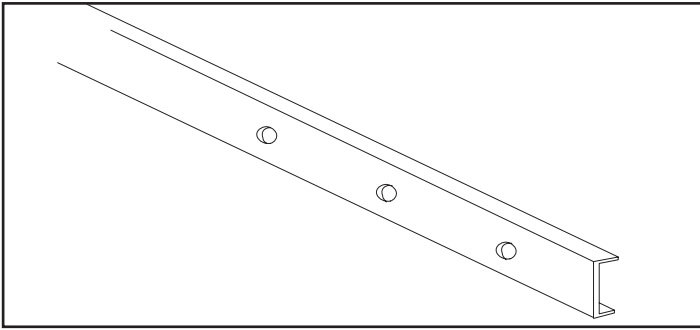


FIGURE 4.

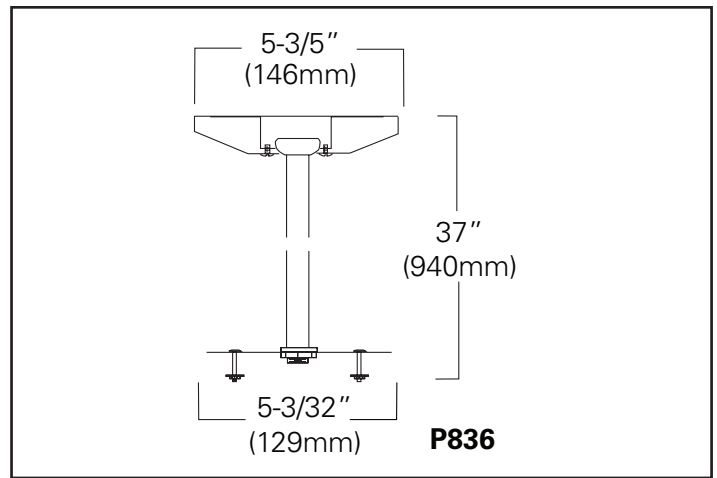


FIGURE 5.

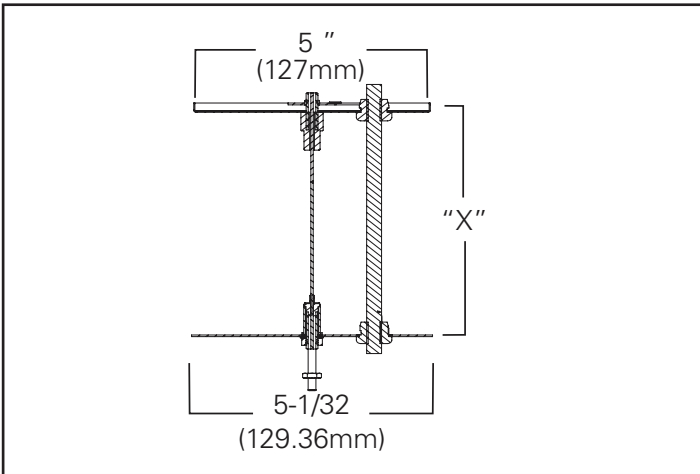


FIGURE 6.

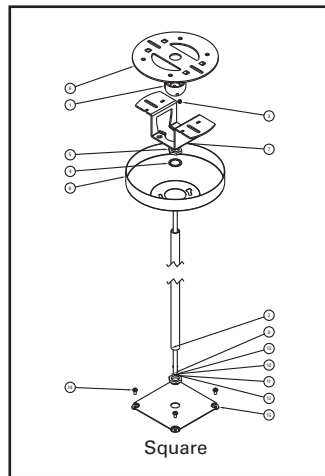
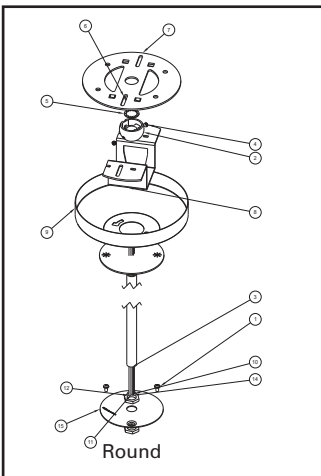


FIGURE 6.