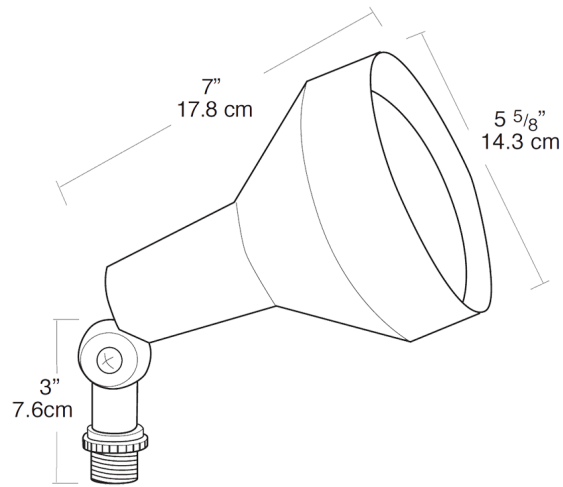




## Dimensions



## Features

Lamp recessed 1" from lip for side glare reduction

Set screw for hood, grill or visor attachment

Large Silicone rubber gasket provides weatherproof protection around the lamp and socket

Caution: When using as an upright in outdoor applications a Hood or a Visor must be used

HV1 Visor with integral guard and glass lens for maximum glare reduction and lamp protection

HG1 Guard: Protects lamp from damage and vandalism

HH1 Hood with glass lens reduces glare and protects lamp from water and impact damage