

► Model 300

SelecTone® 15W Amplified Speaker



SelecTone® Model 300 is a lightweight and compact, solid-state amplified speaker designed to amplify a pre-selected tone over existing ambient noises. The speaker cone and projector are made of spun aluminum. The internal amplifier circuitry and tone module are contained in a housing of die-cast aluminum. Dust- and moisture-proof gasketing provides protection from the elements. All external components are sealed with powder-coat paint.

Model UTM (Universal Tone Module) is used with this device to generate one of 32 tones. Model 300 is designed to be used as a stand-alone, full output unit and cannot be used with a SelecTone Command Unit (public address is not possible).

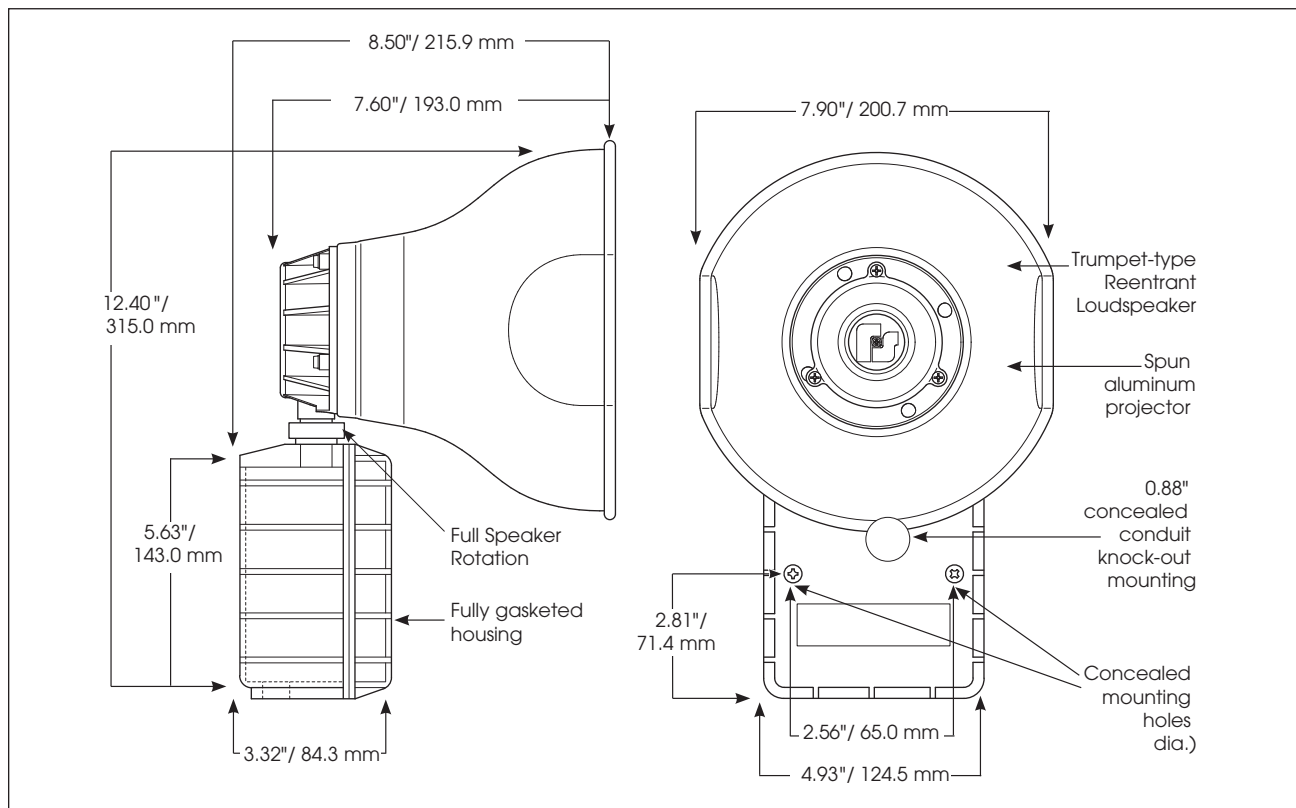
Model 300 speaker/amplifiers are ideally suited for full output tone signaling where voice paging is not a requirement. Typical applications include emergency warning, start and dismissal, general alarm, smelters and cranes.

F E A T U R E S

- Available in 250VDC
- Compatible with model UTM (Universal Tone Module)
- Produces 110 dBa @ 10' (120 dBa @ 1m)
- Type 3R enclosure
- Indoor/outdoor use
- UL and cUL Listed

MODEL	VOLTAGE	OPERATING CURRENT	STANDBY CURRENT	DECIBELS	
				10'	1M
300-250	250VDC	0.072 amps	N/A	110	120

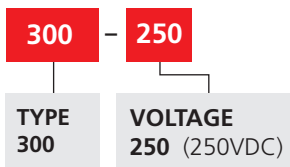
SelecTone® 15W Amplified Speaker (300)



SPECIFICATIONS

Operating Temperature:	-31°F to 151°F	-35°C to 66°C
Net Weight:	5.0 lbs	2.3 kg
Shipping Weight:	6.1 lbs	2.8 kg
Height:	12.40"	315.0 mm
Width:	7.90"	200.7 mm
Depth:	8.50"	215.9 mm

HOW TO ORDER



1. **Select Model**
2. **Order Required Accessory (sold separately)**
UTM – Universal Tone Module
 (Reference page 215 for list of tones)

REPLACEMENT PARTS

Description	Part Number
PCBA, 250VDC	K2001903B
Voice Coil, Series C	K8593035A
Speaker Assembly	K8593082A