



Ultra high output, high efficiency LED floodlight with NEMA Types: 7H x 6V, 6H x 4V, 4H x 6V, 5H x 5V and 3H x 3V. patent-pending "Air-Flow" technology ensures long LED and driver lifespan. Use for general and security lighting for large areas, building façades, signs and landscapes.

Color: Bronze

Weight: 67.0 lbs

Project:	Type:
Prepared By:	Date:

Driver Info		LED Info	
Type	Constant Current	Watts	300W
120V	2.65A	Color Temp	5000K (Cool)
208V	1.59A	Color Accuracy	72 CRI
240V	1.38A	L70 Lifespan	100,000 Hours
277V	1.17A	Lumens	45,171
Input Watts	325.9W	Efficacy	138.6 lm/W

Technical Specifications

Compliance

UL Listed:

Suitable for wet locations. Suitable for ground mounting.

IESNA LM-79 & LM-80 Testing:

RAB LED luminaires and LED components have been tested by an independent laboratory in accordance with IESNA LM-79 and LM-80.

DLC Listed:

This product is on the Design Lights Consortium (DLC) Qualified Products List and is eligible for rebates from DLC Member Utilities.
DLC Product Code: PF5PMFXJ

Optical

NEMA Type:

NEMA Beam Spread of 7H x 6V

Performance

Lifespan:

100,000-Hour LED lifespan based on IES LM-80 results and TM-21 calculations

Construction

IP Rating:

Ingress protection rating of IP66 for dust and water

Maximum Ambient Temperature:

Suitable for use in up to 40°C (104°F)

Effective Projected Area:

EPA = 4

Cold Weather Starting:

Minimum starting temperature is -40°C (-40°F)

Thermal Management:

Superior thermal management with external "Air-Flow" fins

Lens:

Tempered glass lens

Housing:

Die-cast aluminum housing and door frame

Mounting:

Heavy-duty Trunnion mount with stainless steel hardware

Reflector:

Specular and semi-specular vacuum-metalized polycarbonate

Technical Specifications (continued)

Construction

Gaskets:

High-temperature silicone gaskets

Finish:

Formulated for high durability and long-lasting color

Green Technology:

Mercury and UV free. RoHS-compliant components.

LED Characteristics

LEDs:

Multip-chip, high-output, long-life LEDs

Color Consistency:

7-step MacAdam Ellipse binning to achieve consistent fixture-to-fixture color

Color Stability:

LED color temperature is warranted to shift no more than 200K in color temperature over a 5-year period

Color Uniformity:

RAB's range of Correlated Color Temperature follows the guidelines of the American National Standard for Specifications for the Chromaticity of Solid State Lighting (SSL) Products, ANSI C78.377-2017.

Electrical

Drivers:

Constant Current, 1050mA, 50/60 Hz, 120-277V, 4 kV surge protection, 120V: 2.65A, 208V: 1.59A, 240V: 1.38A, 277V: 1.17A, THD <20%, Power Factor: 99%

THD:

9.26% at 120V, 12.56% at 277V

Power Factor:

99.3% at 120V, 96.6% at 277V

Note:

All values are typical (tolerance +/- 10%)

Other

Equivalency:

Equivalent to 1000W Metal Halide

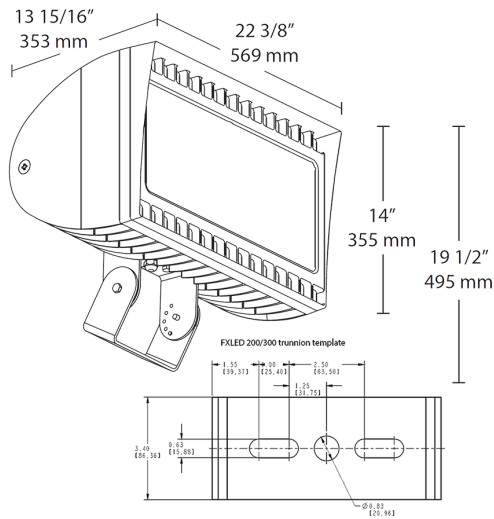
Warranty:

RAB warrants that our LED products will be free from defects in materials and workmanship for a period of five (5) years from the date of delivery to the end user, including coverage of light output, color stability, driver performance and fixture finish. RAB's warranty is subject to all terms and conditions found at rablighting.com/warranty.

Buy American Act Compliance:

RAB values USA manufacturing! Upon request, RAB may be able to manufacture this product to be compliant with the Buy American Act (BAA). Please contact customer service to request a quote for the product to be made BAA compliant.

Dimensions



Features

- 300W replaces 1000 MH floodlights
- 100,000-hour LED lifespan
- 5-Year, No-Compromise Warranty

Ordering Matrix

Family	Wattage	Mounting	Color Temp	NEMA Type	Finish	Driver Options	Options	Other Options
FXLED	300	T						
	200 = 200W 300 = 300W	SF = Slipfitter T = Trunnion	Blank = 5000K Cool N = 4000K Neutral Y = 3000K Warm	Blank = 7H x 6V B64 = 6H x 4V B55 = 5H x 5V B33 = 3H x 3V B46 = 4H x 6V	Blank = Bronze W = White	Blank = 120-277V /480 = 480V /BL = Bi-Level (Slipfitters only) ¹ /D10 = 0-10V Dimming	Blank = No option /PCS = 120V Swivel /PCS2 = 277V Swivel /PCT = 120-277V Twistlock /PCT4 = 480V Twistlock /PCS4 = 480V Swivel /LC = Lightcloud® Controller	Blank = Standard USA = BAA Compliant

¹ Slipfitter models only