


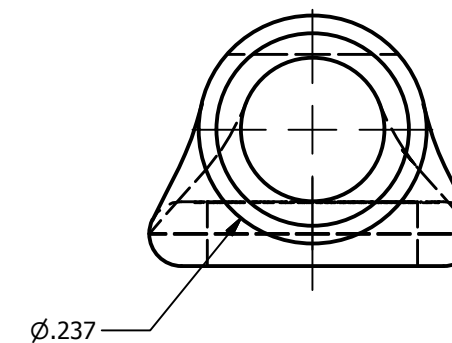
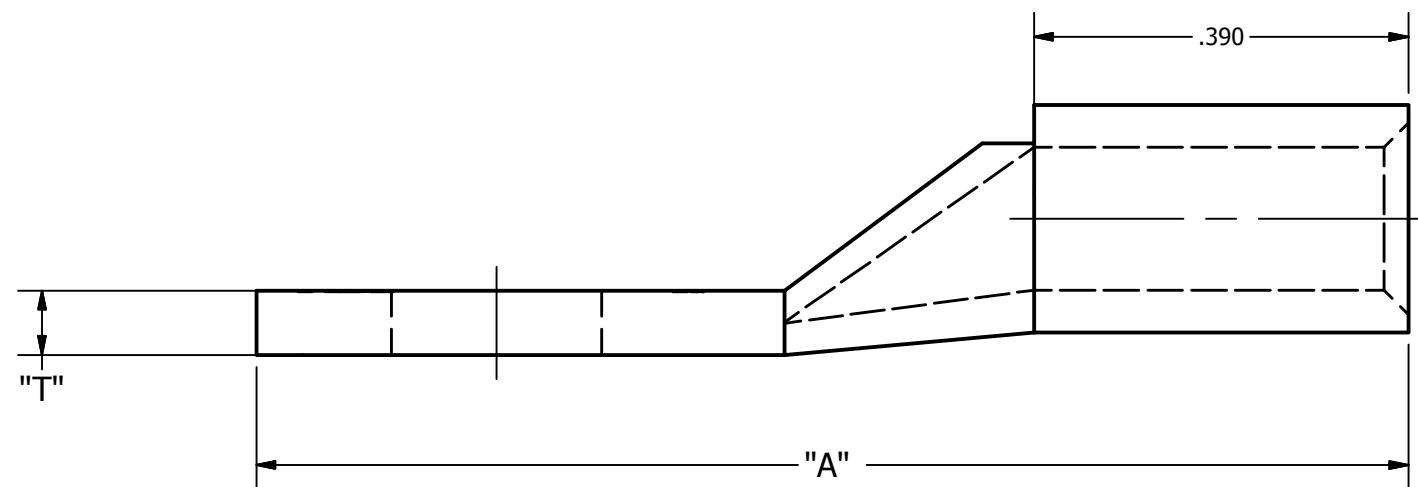
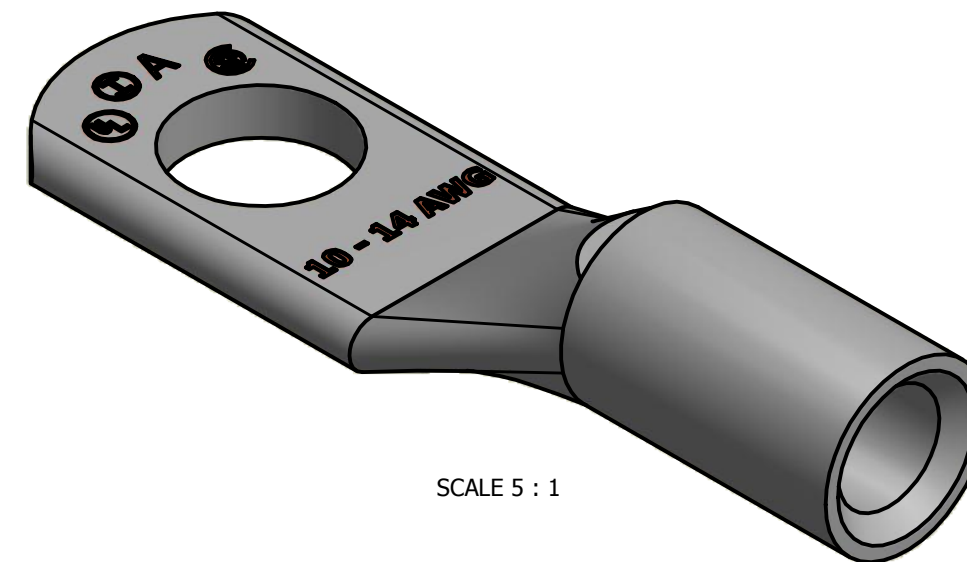
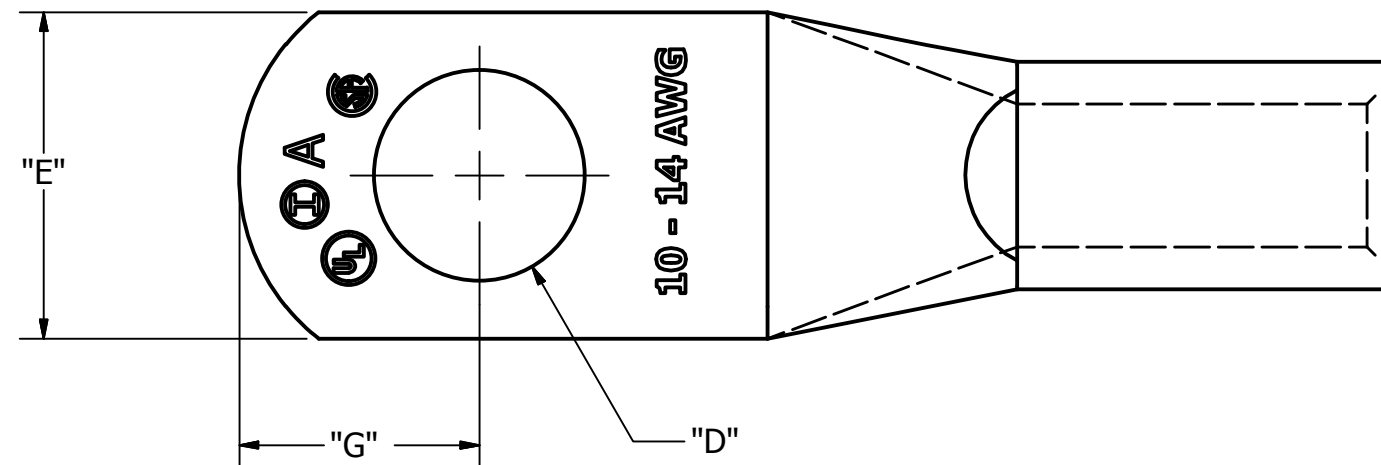


SCREW: NONE  
 CAT. NO.: SEE CHART  
 INFORMATION SHEET: FORM 209

MATERIAL: COPPER  
 PLATING: EL-TIN  
 MARKING:   A, , 10-14 AWG

REV: C  
 DRAWN BY: DR  
 DATE: 12/3/2014  
 SCALE: 5 : 1  
 SIZE: B

DWG NO: **Y0011-S**  
 SHEET: 1 OF 1



CAT NO.	"A"	"D"	"E" REF.	"G"	"T"
CSWS-10-10	1.040	0.210	0.360	0.250	0.070
CSWS-10-14	1.060	0.281	0.420	0.290	0.060