



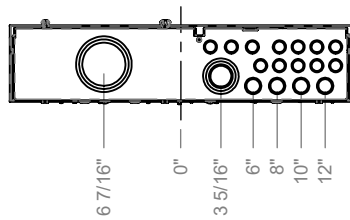
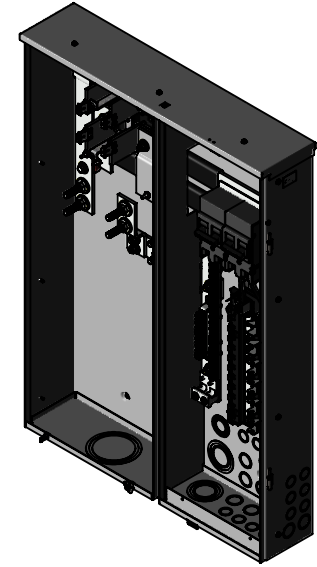
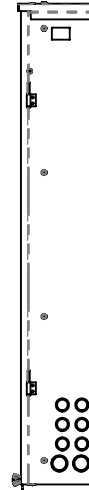
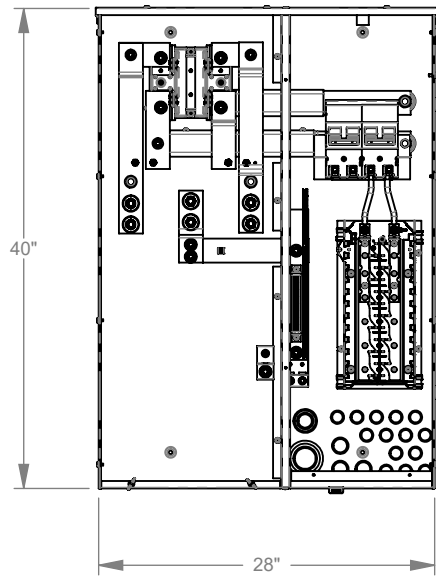
**MILBANK**  
ENERGY AT WORK

## M400-UG-APS-LC-BS



Catalog Number	M400-UG-APS-LC-BS	Insulation	Glass Polyester
Marketing Product Description	4 Terminal Ring Type Plain Top Link Bypass 2-200 Ampere Main Breaker 24 Branch Circuit	Mounting	Surface Mount
UPC	784572238978	Enclosure	G90 Galvanized Steel with Powder Coat Finish
Length (IN)	6	Jaw Quantity	4 Terminal
Width (IN)	28	Bypass Type	Link Bypass
Height (IN)	40	Number of Meter Positions	1 Position
Brand Name	Milbank	Equipment Ground	Ground Bar
Type	Ring Type Meter Socket	Hub Opening	Plain Top
Application	Meter Socket With Main And Load Center	Line Side Wire Range	6 AWG - 350 kcmil
Standard	UL Listed;Type 3R	Number Branch Circuits	12
Voltage Rating	Up to 240 Volts Alternating Current	Number Of Receptacles	0
Amperage Rating	320 Continuous Ampere		
Phase	1 Phase		
Frequency Rating	60 Hertz		
Size	6L x 28W x 40H		
Number Of Cutouts	2		
Cutout Size	Two 200 Ampere Main Breakers		
Cable Entry	Underground		
Terminal	Single Mechanical		

Please consult serving utility for their requirements prior to ordering or installing, as specifications and approvals vary by utility and may require local electrical inspector approval. All installations must be installed by a licensed electrician and must comply with all national and local codes, laws and regulations. Milbank reserves the right to make changes in specifications and features shown without notice or obligation.



Version:

1

**All dimensions are +/- 1/16".  
Drawing views are not to scale.**

Please consult serving utility for their requirements prior to ordering or installing, as specifications and approvals vary by utility, and may require local electrical inspector approval. All installations must be installed by a licensed electrician and must comply with all national and local codes, laws and regulations. Milbank reserves the right to make changes in specifications and features shown without notice or obligation.