



This low-cost, all-purpose floodlight is available in 15, 20 and 30 Watt versions and delivers up to 4200 lumens. Optional photocell is available.

Color: Bronze

Weight: 3.7 lbs

<b>Project:</b>	<b>Type:</b>
<b>Prepared By:</b>	<b>Date:</b>

Driver Info		LED Info	
Type	Constant Current	Watts	20W
120V	0.17A	Color Temp	5000K (Cool)
208V	0.10A	Color Accuracy	75 CRI
240V	0.09A	L70 Lifespan	60,000 Hours
277V	0.08A	Lumens	3,002
Input Watts	20.8W	Efficacy	144.3 lm/W

**Technical Specifications**

**Compliance**

**UL Listed:**

Suitable for wet locations

**IESNA LM-79 & LM-80 Testing:**

RAB LED luminaires and LED components have been tested by an independent laboratory in accordance with IESNA LM-79 and LM-80.

**DLC Listed:**

This product is on the Design Lights Consortium (DLC) Qualified Products List and is eligible for rebates from DLC Member Utilities. Designed to meet DLC 5.1 requirements.

DLC Product Code: P14R4D79

**Electrical**

**Driver:**

Constant Current, Class 2, 50/60 Hz, 2kV, 120 - 277VAC, 120V: 0.17A, 208V: 0.10A, 240V: 0.09A, 277V: 0.08A

**Dimming Driver:**

Driver includes dimming control wiring for 0-10V dimming systems. Requires separate 0-10V DC dimming circuit. Dims down to 10%.

**THD:**

9.73% at 120V, 9.56% at 277V

**Power Factor:**

99% at 120V, 93.2% at 277V

**Note:**

All values are typical (tolerance +/- 10%)

**LED Characteristics**

**LEDs:**

Long-life, high-efficacy, surface-mount LEDs

**Color Uniformity:**

RAB's range of Correlated Color Temperature follows the guidelines of the American National Standard for Specifications for the Chromaticity of Solid State Lighting (SSL) Products, ANSI C78.377-2017.

**Performance**

**Lifespan:**

60,000-Hour LED lifespan based on IES LM-80 results and TM-21 calculations

**Optical**

**NEMA Type:**

7H x 6V Beam Spread

**Construction**

**IP Rating:**

Ingress protection rating of IP66 for dust and water

**Maximum Ambient Temperature:**

Suitable for use in up to 40°C (104°F)

**Technical Specifications (continued)**

**Construction**

**Cold Weather Starting:**

Minimum starting temperature is -40°C (-40°F)

**Housing:**

Precision die-cast aluminum housing and mounting arm

**Lens:**

Frosted acrylic

**Mounting:**

Mounting arm with "O" ring seal, wire seal plug and stainless steel screw

**Gaskets:**

High-temperature silicone gaskets

**Green Technology:**

Mercury and UV free. RoHS-compliant components.

**Finish:**

Formulated for high durability and long-lasting color

**Other**

**Equivalency:**

Equivalent to 70W Metal Halide

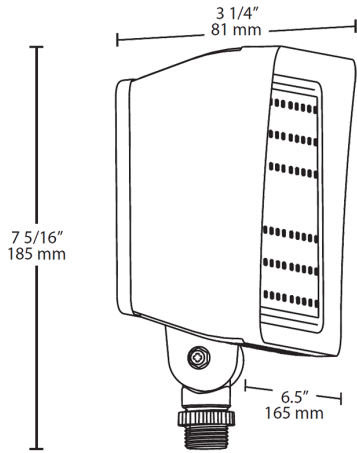
**5 Yr Limited Warranty:**

The RAB 5-year, limited warranty covers light output, driver performance and paint finish. RAB's warranty is subject to all terms and conditions found at [rablighting.com/warranty](http://rablighting.com/warranty).

**Buy American Act Compliance:**

RAB values USA manufacturing! Upon request, RAB may be able to manufacture this product to be compliant with the Buy American Act (BAA). Please contact customer service to request a quote for the product to be made BAA compliant.

**Dimensions**



**Features**

- 60,000-hour LED lifespan
- Standard 0-10V dimming driver
- 5-Year, Limited Warranty

**Ordering Matrix**

Family	Wattage	Color Temp	Finish	Driver	Sensor Options	Other Options
PIP	20			/D10		
	15 = 15W 20 = 20W 30 = 30W 45 = 45W	Blank = 5000K Cool N = 4000K Neutral Y = 3000K Warm	Blank = Bronze W = White	/D10 = 0-10V Dimming	Blank = No Photocell /PCU = 120-277V Button Photocell	Blank = Standard USA = BAA Compliant