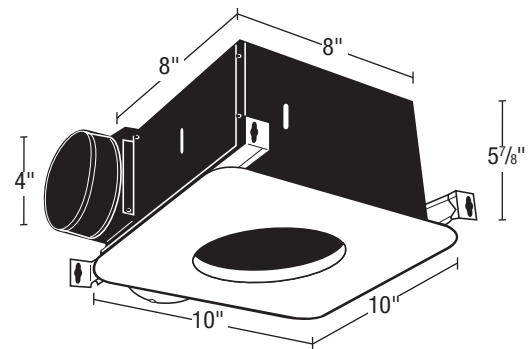




**SPECIFICATIONS**  
**AK917**  
**HEATER WITH EXHAUST FAN**

**70 CFM/3.5 Sones @ 0.10" SP.**

- **Grill**  
 White, polymeric grill (flame retardant ABS UL rated 94-5V) secured in place with torsion springs; easily removed if necessary, dimensions - 10" x 10".
- **Blower Wheel**  
 One piece polymeric wheel, 3<sup>7</sup>/<sub>8</sub>" diameter, 2<sup>1</sup>/<sub>2</sub>" wide with 21 fins.
- **Motor**  
 Heavy duty, plug in 2 pole motor. Life time lubrication, thermally protected. Rated 120 volts, 60 hz.
- **Fan Housing**  
 23 gauge galvanized steel housing. Dimensions 8<sup>1</sup>/<sub>4</sub>" x 8" x 5<sup>7</sup>/<sub>8</sub>".
- **Duct Collar**  
 Plastic collar for 4" duct connection, comes complete with built in non-metallic back draft damper for quiet operation.
- **Ventilating Area**  
 For bathrooms up to 70 sq. ft.
- **Lamping Information**  
 1 - 250 watt maximum, type R40 bulb, medium base, 850 Btu. with shaped aluminum socket housing with porcelain socket. (lamp not included)



- **Unit Mounting**  
 The housing will mount in ceilings with at least 6" of clearance and through drywall thickness up to 3/4", with a rough-in opening of 8<sup>1</sup>/<sub>8</sub>" x 8<sup>1</sup>/<sub>8</sub>". Rated for ceilings insulated to R-40. The housing will mount between 16" on center joists, using the 4 supplied housing mounting rails.
- **Single Pack Shipping Info**  
 Box Dim: 14<sup>1</sup>/<sub>4</sub>" x 11<sup>1</sup>/<sub>2</sub>" x 7<sup>3</sup>/<sub>4</sub>"  
 UPC: 0-8316227001-6  
 Shipping Weight: 7 lbs.

**EXPANDED PERFORMANCE**

	Static Pressure (inches of w.g.)							Sones @ .1 SP	Fan Speed RPM	Maximum Fan Watts	Amps
	0	0.05	0.1	0.15	0.2	0.25	0.3				
<b>Air Flow - CFM</b>			70					3.5			2.6

<b>PROJECT</b>							<b>ARCHITECT</b>				
<b>LOCATION</b>							<b>ENGINEER</b>				
<b>CONTRACTOR</b>							<b>SUBMITTED BY</b>			<b>DATE</b>	
FAN NUMBER	MODEL NUMBER	CFM	IN W.G.	RPM	WATTS	AMPS	SONES	QTY	OPTIONAL EQUIPMENT & REMARKS		



**Air King:** 820 Lincoln Avenue  
 West Chester, Pennsylvania 19380-4466  
 Tel: (610) 692-7400 • 877-304-3785  
 Fax: (610) 696-8048

**Canada:**  
 Bolton, Ontario  
 Tel: 905-456-2033