



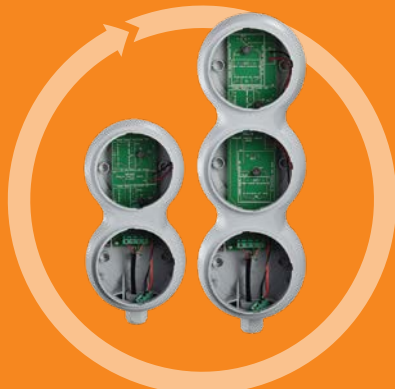
# StreamLine<sup>®</sup>

MODULAR SERIES

## DOCK BASES



**SIGNALS**



**BASES**



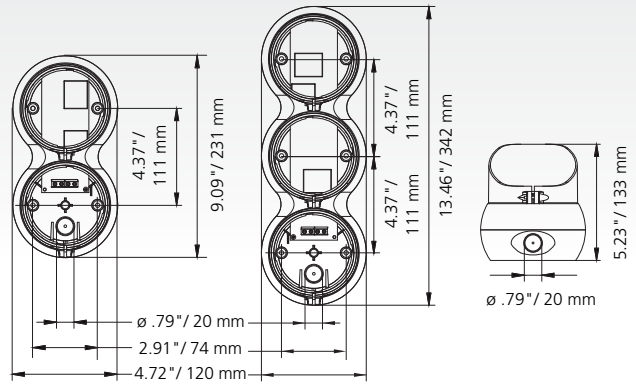
**SIGNALS & BASES**



## SLMB2 and SLMB3

The StreamLine® Dock Light Base option is ideal for indoor or outdoor applications in high foot traffic areas including parking garages, factories, and loading docks.

Models SLMB2, 2-stack dock light, and SLMB3, 3-stack dock light, come standard with a visor. If additional side visibility is needed, the visor can be replaced with model SLM-RR retaining ring.



\*Excludes SLM600 and SLM800

## SLM100

A B C G R



SLM100 is available in five colors and offers three separate light effects (steady, flashing or rotating), controllable via independent electric contacts.

## SLM200

A B C G R



SLM200 is available in five colors and offers three separate light effects (flashing, simulated strobe or random), controllable via independent electric contacts.

## SLM300 and SLM350

A B C G R



SLM300 (proximity) and SLM350 (long-distance) low-profile signals are available in five colors and offer three different light effects (steady, flashing, strobe), controllable via independent electric contacts.

## SLM1400 and SLM1450

A B C CY G M R Y



SLM1400 (proximity) SLM1450 (long-distance) low-profile signals allow for three levels of alarm. For each channel, eight different colors and five light effects (steady, 1x flash, 2x flash, 4x flash and random) can be selected.

## SLM500

A B C G R



SLM500 is an audible/visual LED beacon and sounder that allows three separate levels of alarm (alert, pre-alarm, alarm) controllable via independent electric contacts. SLM500 offers two light effects (steady or flashing) and 64 different tones (selectable via dip-switch) through two inputs, adjustable between 65 dB(A) and 105 dB(A).

## SLM700



SLM700 is a multifunctional electronic sounder allows two separate levels of alarm (pre-alarm, alarm) controllable via independent electric contacts. SLM700 offers 64 different tones through two separate inputs, adjustable between 65 dB(A) and 105 dB(A).