



Color: Black

Weight: 1.8 lbs

Project:	Type:
Prepared By:	Date:

Driver Info		LED Info	
Type	Constant Current	Watts	38W
120V	N/A	Color Temp	3000/4000/5000K
208V	N/A	Color Accuracy	90 CRI
240V	N/A	L70 Lifespan	15,000 Hours
277V	N/A	Lumens	3,600 lm
Input Watts	38W	Efficacy	95

Technical Specifications

Compliance

UL Listed:

Suitable for wet locations

Electrical

Voltage:

120V

Power Consumption:

4W

Surge Protection:

Withstands up to 6000 volts

Switching Capacity:

600W @ 120VAC Electronic Ballast (LED)

Wall Switch Manual Override:

Two flip logic prevents activation by momentary power outages. Stays on for 6 hours. No extra wiring needed.

Sensor Settings

Time Adjustment:

5 seconds to 15 minutes

Detector Sensitivity:

Adjustable from 50% to 100%

Sensor Housing:

Made of tough, corrosion resistant polycarbonate

Detection:

110° view

Other

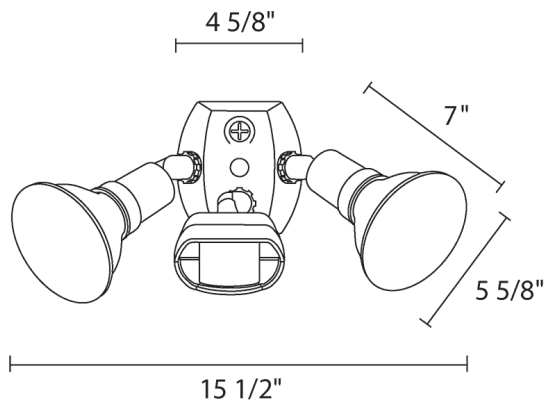
5-Year Limited Warranty:

The RAB 5-year, limited warranty covers light output, driver performance and paint finish. RAB's warranty is subject to all terms and conditions found at rablighting.com/warranty.

3-Year, No-Compromise Warranty:

RAB warrants that our LED products will be free from defects in materials and workmanship for a period of three (3) years from the date of delivery to the end user, including coverage of light output, color stability, driver performance and fixture finish. RAB's warranty is subject to all terms and conditions found at rablighting.com/warranty.

Dimensions



Features

- Two CCT-Selectable PAR38s
- 110° view sensor
- 6 Hour protected manual override
- EZ Plate Universal cover fits all boxes

Ordering Matrix

Family	Detection	Flood Type	Finish	Lamps/Wattage/CCT
GT	500	R		/L

500 = 110° View R = 120V R90 Flood Blank = Black /L = 2-Edison Base PAR38 Lamps, 38W, Adjustable CCT: 3000/4000/5000K
 W = White