



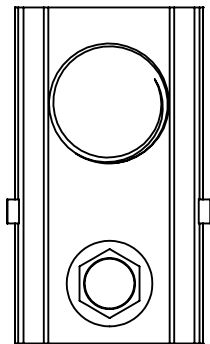
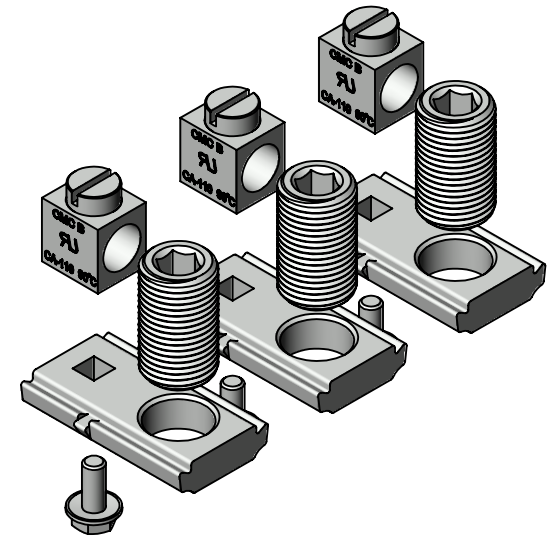
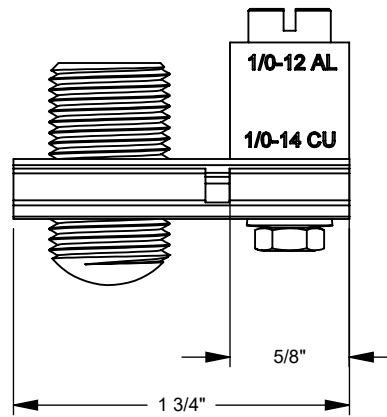
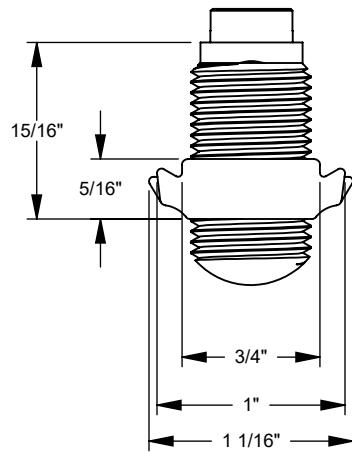
MILBANK
ENERGY AT WORK

K4977-INT



Catalog Number	K4977-INT	Temperature Rating	75 Degrees Celsius
Marketing Product Description	Tap Connector Kit Internal Hex Slide Nut With 14-1/0 Box Connector 300 Volt Maximum 3 Per Kit		
UPC	784572274365		
Length (IN)	8		
Width (IN)	1.536		
Height (IN)	7.5		
Weight (LB)	0.5		
Brand Name	Milbank		
Type	Wire Connector Kit		
Application	Metering Accessory		
Standard	Non UL Listed		
Size	8L x 1.536W x 7.5H		
Connection	Mechanical		
Conductor Range	12 AWG to 1/0 AWG		
Consist Of	Connector		
Mounting	Slide Nut		
Number Of Conductors	0		
Material	Aluminum		
Voltage Rating	Up to 300 Volts Alternating Current		
Insulation	None		

Please consult serving utility for their requirements prior to ordering or installing, as specifications and approvals vary by utility and may require local electrical inspector approval. All installations must be installed by a licensed electrician and must comply with all national and local codes, laws and regulations. Milbank reserves the right to make changes in specifications and features shown without notice or obligation.



Version:

1

**All dimensions are +/- 1/16".
Drawing views are not to scale.**

Please consult serving utility for their requirements prior to ordering or installing, as specifications and approvals vary by utility, and may require local electrical inspector approval. All installations must be installed by a licensed electrician and must comply with all national and local codes, laws and regulations. Milbank reserves the right to make changes in specifications and features shown without notice or obligation.