



UPC: 192552000222

Color: Clear

Weight: 0.1 lbs

|                     |              |
|---------------------|--------------|
| <b>Project:</b>     | <b>Type:</b> |
| <b>Prepared By:</b> | <b>Date:</b> |

**Technical Specifications**

**Performance**

**Product Type:**

Decorative

**Input Wattage:**

9W

**Lumens:**

810lm

**L70 Lifespan:**

15,000-Hour LED lifespan based on IES LM-70 results

**Wattage Equivalency:**

60W

**LED Characteristics**

**Color Accuracy (CRI):**

90 CRI

**Color Temperature:**

4000K

**Beam Angle:**

360°

**Electrical**

**Power Factor:**

>0.7

**Dimmable:**

Yes, down to 10%

**Input Voltage:**

120V

**Operating Frequency:**

60 Hz

**Operating Temperature:**

-20°C to 40°C

**Construction**

**Bulb Shape:**

A19

**Enclosure Material:**

Glass

**Housing Finish:**

Clear

**Installation**

**Base Type:**

E26 Edison

**Other**

**Technology EQ:**

Incandescent

**3-Year, No-Compromise Warranty:**

RAB warrants that our LED products will be free from defects in materials and workmanship for a period of three (3) years from the date of delivery to the end user, including coverage of light output, color stability, driver performance and fixture finish. RAB's warranty is subject to all terms and conditions found at [rablighting.com/warranty](http://rablighting.com/warranty).

**Compliance**

**Listings:**

UL Listed

**Environment:**

Wet / Enclosed

**T20 Compliant:**

Yes, Title 20 Tier 2

**RoHS:**

Mercury and UV free. RoHS-compliant components.

**FCC:**

Complies with Part 15B of the FCC Rules

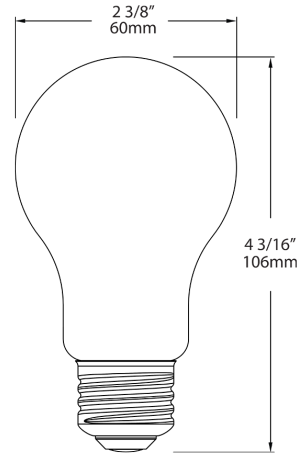
**Minimum Compartment Size**

| Length x Width x Height [in] | Lamp Quantity |
|------------------------------|---------------|
| 11                           | 1             |

**Case and Pallet Dimensions**

|        | QTY  | LENGTH (in) | WIDTH (in) | HEIGHT (in) |
|--------|------|-------------|------------|-------------|
| CASE   | 12   | 0           | 0          | 0           |
| PALLET | 1080 | 0           | 0          | 0           |

**Dimension**



**Features**

- Replacement for conventional decorative lamps
- Filament LED construction gives a unique traditional look and feel for decorative and ambient applications
- Produces rich and vibrant colors, >90CRI
- Rated for use in enclosed and open fixtures in dry and damp locations
- Longer lifespan compared to legacy equivalents minimizes replacement and maintenance costs
- Title 20 Compliant, ENERGY STAR Compliant, UL Listed
- Smooth uniform dimming down to 10% (See Dimmer Compatibility List)

**Ordering Matrix**

| Family | Wattage                                  | Base Type | CRI/Color Temp   | Type         | Finish                   |
|--------|--|-----------|--|--------------|--------------------------|
| A19    | 9  | E26       | 940  | F            | C                        |
|        | 5 = 5W<br>9 = 9W<br>10 = 10W<br>13 = 13W | E26 = E26 | 950 = 90 CRI, 5000K<br>940 = 90 CRI, 4000K<br>930 = 90 CRI, 3000K<br>927 = 90 CRI, 2700K | F = Filament | C = Clear<br>F = Frosted |