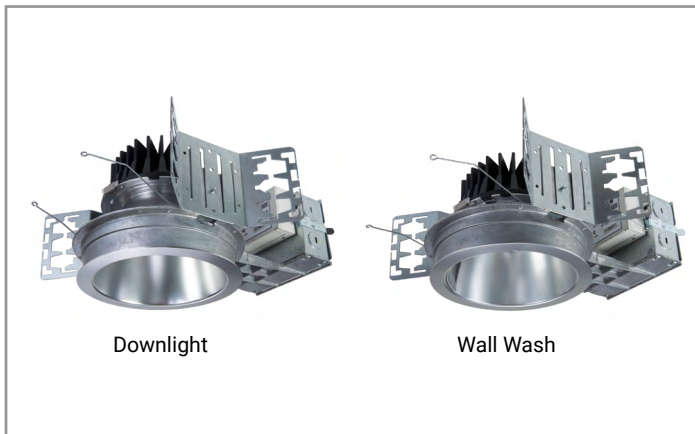


Project		Catalog #		Type	
Prepared by		Notes		Date	



Portfolio

LD6C | EU6C | 6LB

6" Round, New Construction Downlight
Narrow, Medium, Wide Beam or Wall Wash
250-15,000 Lumens

Typical Applications

Office • Education • Healthcare • Hospitality • Retail •
Code-Compliance Areas • Sports Venues

Interactive Menu

- Order Information [page 2](#)
- Product Specifications [page 4](#)
- Dimensional & Mounting Details [page 5](#)
- Energy Data [page 6](#)
- Photometric Data [page 7](#)
- Connected System [page 16](#)
- Product Warranty

Product Certification



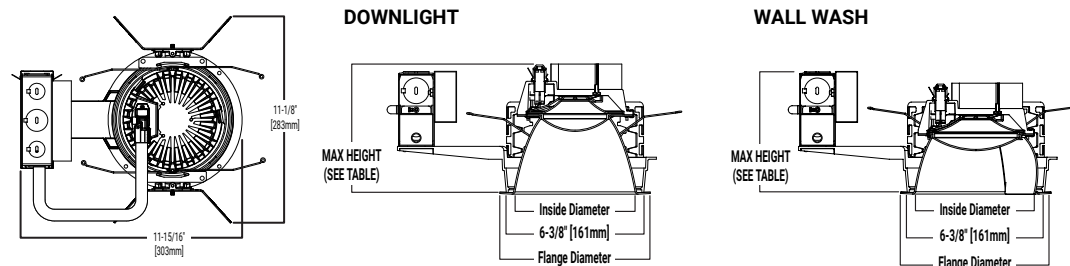
Product Features



Top Product Features

- 250-15,000 lumens; Offered in 90 and 97 CRI; ENERGY STAR® qualified
- Optional snap in driver for ease of replacement
- Standard 0-10V driver dims to 1%
- 2400K, 2700K, 3000K, 3500K, 4000K, 5000K; D2W™ option from 3000K to 1850K
- Available W2N tunable white CCT range 2700K to 6500K or 2000K to 5000K
- Options to meet Buy American and other domestic preference requirements

Dimensional and Mounting Details



[CLICK HERE](#)
dimension information

Single Line Order Information

SAMPLE ORDER NUMBER: LD6C109030D010TRM1HEM7

Invoice will indicate separate fixture components (housing, trim, module) which will ship complete from a single CLS facility in separate cartons.



Domestic Preferences ⁽¹⁹⁾	Housing	Lumen ⁽¹⁾			Color Control	CCT ⁽²⁰⁾	
[Blank] =Standard BAA =Buy American Act TAA =Trade Agreements Act	LD6C =LED Downlight 6" Nominal Aperture LD6CCP =LED Downlight 6" Nominal Aperture, Chicago Plenum	02 = 250 lumens 05 = 500 lumens 08 = 800 lumens 10 = 1000 Lumens 15 = 1500 Lumens 20 = 2000 Lumens 25 = 2500 lumens 30 = 3000 Lumens	35 = 3500 lumens 40 = 4000 Lumens 45 = 4500 Lumens ⁽¹⁰⁾ 50 = 5000 Lumens ⁽¹⁰⁾ 55 = 5500 Lumens ⁽¹⁰⁾ 60 = 6000 Lumens ⁽¹⁰⁾ 65 = 6500 Lumens ⁽¹⁰⁾ 70 = 7000 Lumens ⁽¹⁰⁾	75 = 7500 Lumens ⁽¹⁰⁾ 80 = 8000 Lumens ⁽¹⁰⁾ 90 = 9000 Lumens ⁽¹⁰⁾ 100 = 10,000 Lumens ⁽¹⁰⁾ 110 = 11,000 Lumens ⁽¹⁰⁾ 120 = 12,000 Lumens ⁽¹⁰⁾ 130 = 13,000 Lumens ⁽¹⁰⁾ 150 = 15,000 Lumens ⁽¹⁰⁾	90 =90 CRI Minimum 97 =97 CRI Minimum	90 CRI 24 =2400K 27 =2700K 30 =3000K 35 =3500K 40 =4000K 50 =5000K	97 CRI 27 =2700K 30 =3000K

Driver	Specify from Driver column. Information below for reference only.	Driver Options	Hanger Bars
	Remote driver & plug in driver		
D010 =0-10V Dimming, 1% to 100%, 120V-277V, up to 7000 lumens 1D010 =0-10V Dimming, 1% to 100%, 120V, 7500 lumens & above 2D010 =0-10V Dimming, 1% to 100%, 277V, 7500 lumens & above 3D010 =0-10V Dimming, 1% to 100%, 347V dedicated drivers, 800-4000 lumens; 250, 500, 4500 & above use step down transformer	250-7000	Blank = Integral driver RC100 = Remote 100ft ⁽³⁾ ⁽³³⁾ RC75 = Remote 75ft ⁽³⁾ ⁽³³⁾ RC50 = Remote 50ft ⁽³⁾ ⁽³³⁾ RC25 = Remote 25ft ⁽³⁾ RC15 = Remote 15ft ⁽³⁾ RC5 = Remote 5ft ⁽³⁾ RC2 = Remote 2ft ⁽³⁾ PD = Plug in Driver	Blank = Without hanger bars HB26 = C-channel Bar Hanger, 26" Long, Pair
D010TR =0-10V Dimming, 5% to 100%, 120V-277V, 250- 4500 lumens 1D010TR =0-10V Dimming, 5% to 100%, 120V, 5000-9000 & 13,000 lumens 2D010TR =0-10V Dimming, 5% to 100%, 277V, 5000-9000 & 13,000 lumens 3D010TR =0-10V Dimming, 5% to 100%, 347V step down transformer, 250-9000 & 13,000 lumens	250-4500		
DE010 =0-10V Dimming, 0% to 100%, 120V-277V, 500-7000 lumens 1DE010 =0-10V Dimming, 0% to 100%, 120V, 7500 lumens & above 2DE010 =0-10V Dimming, 0% to 100%, 277V, 7500 lumens & above 3DE010 =0-10V Dimming, 0% to 100%, 347V step down transformer, 500-15,000 lumens	500-7000		
DSL =Fifth Light® (DALI T6) Logarithmic Dimming, 0% to 100%, 120V-277V, 500-7000 lumens 1DSL =Fifth Light® (DALI T6) Logarithmic Dimming, 0% to 100%, 120V, 7500 lumens & above 2DSL =Fifth Light® (DALI T6) Logarithmic Dimming, 0% to 100%, 277V, 7500 lumens & above 3DSL =Fifth Light® (DALI T6) Logarithmic Dimming, 0% to 100% 347V step down transformer, 500-15,000 lumens	500-7000		
DMX =DMX/RDM Logarithmic Dimming, 0% to 100%, 120V-277V, 800-4500 lumens ⁽¹⁴⁾ 1DMX = DMX/RDM Logarithmic Dimming, 0% to 100%, 120V, 5000-9000 & 13,000 lumens ⁽¹⁴⁾ 2DMX =DMX/RDM Logarithmic Dimming, 0% to 100%, 277V, 5000-9000 & 13,000 lumens ⁽¹⁴⁾ 3DMX =DMX/RDM Logarithmic Dimming, 0% to 100%, 347V step down transformer, 800-9000 & 13,000 lumens ⁽¹⁴⁾	800-4500		
DMXC5 =DMX/RDM Logarithmic Dimming, 0% to 100%, 120V-277V, 800-4500 lumens, RJ45 Connection ⁽¹⁴⁾ 1DMXC5 =DMX/RDM Logarithmic Dimming, 0% to 100%, 120V, 5000-9000 & 13,000 lumens, RJ45 Connection ⁽¹⁴⁾ 2DMXC5 =DMX/RDM Logarithmic Dimming, 0% to 100%, 277V, 5000-9000 & 13,000 lumens, RJ45 Connection ⁽¹⁴⁾ 3DMXC5 =DMX/RDM Logarithmic Dimming, 0% to 100%, 347V step down transformer, 800-9000 & 13,000 lumens, RJ45 Connection ⁽¹⁴⁾	800-4500		
1DL2 = Lutron® Hi-Lume Forward Phase Dimming, 1% to 100%, 120V, 800-7500 lumens 3DL2 = Lutron® Hi-Lume Forward Phase Dimming, 1% to 100%, 347V step down transformer, 800-7500 lumens	800-3500		
DLE =Lutron Ecosystem dimming 1% to 100%, 120V-277V, 800-3500 lumens 1DLE =Lutron Ecosystem dimming 1% to 100%, 120V, 4000-7500 lumens 2DLE =Lutron Ecosystem dimming 1% to 100%, 277V, 4000-7500 lumens 3DLE =Lutron Ecosystem dimming 1% to 100%, 347V step down transformer, 800-7500 lumens	800-3500		
DLV = Low voltage dimming driver (1-100%) for use with DLVP system 800-3000 lumens ⁽³⁾	800-3000 (Remote driver only)		

Trim Distribution ⁽⁵⁾	Trim Flange	Trim Finish	Options ⁽³⁾ ⁽¹⁶⁾ ⁽³¹⁾
N =Narrow, Spun Aluminum ⁽²⁶⁾ ⁽³⁰⁾ M =50° Cutoff, Medium Beam Reflector, Spun Aluminum MD =45° Cutoff, Medium Beam Reflector, Spun Aluminum W =Wide, Spun Aluminum S =Shallow, Spun Aluminum HY =Hyperbolic medium beam ⁽²⁶⁾ ⁽³⁰⁾ PS =Non-Conductive Shallow, Injection Molded white ⁽¹¹⁾ ⁽¹²⁾ CS =Cast Shallow, Die Cast Aluminum BA = Spun Aluminum Baffle ⁽⁷⁾ Wall Wash SWN = Single Wall Wash, Spun Aluminum DWN = Double Wall Wash, Spun Aluminum CW = Corner Wall Wash, Spun Aluminum LSWW = Lensed Single wall wash, Spun Aluminum LDWW = Lensed Double wall wash, Spun Aluminum	0 =White Polymer Trim Ring 1 =Self-flanged ⁽¹³⁾ 2 =White Painted Self-flanged 4 =Knife edge rimless use with die cast only ⁽⁸⁾ ⁽²³⁾	LI =Specular Clear ⁽⁹⁾ H =Semi-Specular Clear ⁽⁹⁾ WMH =Warm Haze ⁽⁹⁾ WH =Wheat ⁽⁹⁾ GPH =Graphite Haze ⁽⁹⁾ B =Specular Black ⁽⁹⁾ MW =Matte White (Antimicrobial) MB =Matte Black ⁽⁹⁾ MMS =Matte Metallic Silver ⁽⁸⁾	EMBOD =Bodine® Emergency Module with Remote Test Switch ⁽²⁵⁾ EMBOD6ST =Bodine® 6W Self Test Emergency Module with Remote Test Switch EM7 =7W Emergency Module with Remote Test Switch EM14 =14W Emergency Module with Remote Test Switch EMBOD7ST =Bodine® Self Test Emergency Module ⁽²⁵⁾ IEMBOD =Bodine® Emergency Module with Integral Test Switch ⁽⁶⁾ ⁽²⁵⁾ IEM7 =7W Emergency Module with Integral Test Switch ⁽⁶⁾ IEM14 =14W Emergency Module with Integral Test Switch ⁽⁶⁾ EMV7 =7W Low Voltage Emergency Module with Remote Test Switch ⁽⁴⁾ EMV14 =14W Low Voltage Emergency Module with Remote Test Switch ⁽⁴⁾ ETRD =Emergency transfer device ⁽³²⁾ WPST = Factory installed Wavelinx (includes control module, sensor, cable, tie mount and ceiling mount sensor) ⁽¹⁵⁾ ⁽¹⁸⁾ WLST = Factory installed WaveLinX Lite Sensor Kit ⁽¹⁵⁾ ⁽¹⁷⁾

Continued on next page.

Single Line Order Information

Accessories (Sold separately) ⁽²²⁾

TRM6P=White metal trim ring ⁽²⁾
LGSKT6IP66=IP66 Gasket Kit
DT6RF=6 inch frosted acrylic ring ⁽²⁹⁾

RPM6MW=Rimless Millwork Ring, Matte White ⁽²⁾
RPM6MB=Rimless Millwork Ring, Matte Black ⁽²⁾
RKM6MW=Knife Edge Millwork Ring, Matte White ⁽²⁴⁾
RKM6MB=Knife Edge Millwork Ring, Matte Black ⁽²⁴⁾

Connected Lighting Systems ^{(3),(15)}
WPST = Field installed WaveLinx sensor Kit ⁽¹⁷⁾
WLST = Field installed WaveLinx Lite Sensor Kit ⁽¹⁸⁾

Bar Hangers
HB50=C-channel Bar Hanger, 50" Long, Pair
RMB22=Wood Joist Bar Hanger, 22" Long, Pair

PRR6=Rimless Plaster Ring ⁽²⁾
RKP6=Knife Edge plaster Ring ⁽²⁴⁾

Transformers
H347=H347 for 5500 lumens and below
H347200=347 to 120V Step Down Transformer, 200VA

Notes:

1. Nominal Lumens will vary depending on selected color, CRI, driver and reflector finish. Reference [Multiplier tables](#).
2. Order trim with polymer trim ring (Consult specification sheet for color ordering information and options).
3. Not available with Chicago Plenum.
4. ULUS listed only
5. Beam angles are nominal with LI finish trims.
6. Available with narrow (N), medium (M) and medium 45 degree (MD) Spun Aluminum trims. Required for use with all IEMBOD, IEM7, IEM14, IEMV7 and IEMV14 housings. Not offered with remote driver.
7. Only available with Matte White and Matte Black Finishes.
8. Available only on CS distributions.
9. Not available on PS, CS or BA distributions.
10. Product is marked spacing. [Reference table on page 4](#).
11. PS available in self-flanged MW finish only.
12. Offered up to 2000 lumens
13. Flange is the same finish as the reflector
14. DMX fixtures default to full on upon loss of DMX signal.
15. Refer to system specifications for additional information, features, and benefits. Order either factory installed option or accessory. Use with 0-10V driver.
16. Non-IC
17. WLST = WaveLinx Lite tile mount sensor kit for daylight dimming, PIR motion sensing, use with D010 only (Refer to WaveLinx Lite system specifications)
18. WPST = WaveLinx wireless sensor kit for daylight dimming, PIR motion sensing, and optional RLTS - Real Time Location Services, use with 0-10V only.

19. Only product configurations with these designated prefixes are built to be compliant with the Buy American Act of 1933 (BAA) or Trade Agreements Act of 1979 (TAA), respectively. Please refer to [DOMESTIC PREFERENCES](#) website for more information. Components shipped separately may be separately analysed under domestic preference requirements. Offered with spun aluminum narrow (N), medium (M), and wide (W) trims.
22. Accessories sold separately will be separately analyzed under domestic preference requirements. Consult factory for further information.
23. Accessory (Requires knife edge accessory ring)
24. Order die cast trim with flange type 4
25. Not available with 6500-7000 lumens, DLVP up to 3000 lumens
26. Offered with
 - D010, DSLT, DE010 up to 7000 lumens
 - D010TR, DMX up to 4500 lumens
 - DLE, DL2 up to 3500 lumens
29. Order with self flanged trim.
30. Offered with DLVP up to 3000 lumens
31. 120-277V
32. Used to bypass local control during outage. Must be used in conjunction with UL 1008 device (provided by others).
33. Not available with Lutron drivers

Product Specifications

Lower Shielding Reflector

- Painted die-cast aluminum or spun aluminum lower reflector with lensed upper optical chamber provides superior lumen output with minimal source brightness
- Spun reflectors are available in all Portfolio anodized finishes
- Hyperbolic reflector provides minimal aperture brightness and glare.
- Available with non-conductive polymer reflector up to 2000 lumens
- Plaster lathing ring, knife edge and millwork ring accessory for flush reflector transition

Wall Wash Reflector

- **Open Wall Wash** - wall wash reflector with gradient kicker offered in single, double and corner wall wash provides even vertical illumination with minimal source brightness.
- **Rotatable Lensed Wall Wash** - Rotatable lensed wall wash reflector offered in single and double wall wash provides even vertical illumination with minimal source brightness.

Trim Retention

- Two torsion springs hold reflector flange tightly to the finished ceiling surface

Plaster Frame/Collar

- Die-cast aluminum 1 1/2" deep collar
- Accommodates up to 2" ceiling thickness

Universal Mounting Bracket

- Accepts 1/2" Electric Metallic Tube (EMT), C-channel and bar hangers
- Adjusts 5" vertically from above and below the ceiling

Junction box

- Four 1/2" and two 3/4" trade size pry outs positioned to allow straight conduit runs
- Lever connectors for simple push in wiring
- Listed for (4) #12 AWG (two in, two out) 90°C conductors and feed thru branch wiring for type IC and Plug in drivers for 120/277V only. For all other cases (8) #12 AWG (four in, four out) 90°C conductors and feed thru branch wiring for 120/277V only

Thermal

- Aluminum heat sink conducts heat away from the LED module for improved performance and longer life

LED System

- Contains a plurality of high brightness white LED's combined with a high reflectance upper reflector and convex transitional lens producing even distribution without pixilation
- Auto resetting, thermally protected, LED's are turned off when safe operating temperatures are exceeded
- Quick disconnect allows for tool-less replacement of LED engine from below ceiling
- 90 and 97 CRI
- 90 & 97CRI: L78 55,000 hours for 1000-2000 lumens, L90 55,000 for all other lumen output
- Color variation within 2-step MacAdam ellipses
- Available in 2400K, 2700K, 3000K, 3500K, 4000K and 5000K correlated color temperature (CCT)

Vividtune and High CRI

- 98 CRI and W2N: L70 55,000 hours
- D2W™ – dim-to-warm shifts CCT from 3000K to 1850K as fixture dims mimicking halogen sources.
- W2N - Tunable white CCT range 2700K to 6500K or 2000K to 5000K, 90 CRI. Standard
- **98 CRI** With a full-spectrum approach using broad-blue chip technology and special phosphor blends, Thrive is able to closely match the spectrum of the sun across all color temperatures. Benefits of the natural spectrum of the sun using Thrive include superior accurate color rendering, reduced eye strain, and a higher sense of emotional well-being.
- See dedicated specification sheet for more details.

Driver

- Standard 120-277V 0-10V dimming driver provides flicker free dimming from 100% to 1%
- Optional 120V leading edge/0-10V, <1% 0-10V, Fifth Light, DMX or Lutron® Ecosystem
- Driver can be serviced from above or through the aperture
- Distributed low voltage power system combines power, lighting, and controls with ease of installation.
- Optional magnetically guided snap in driver for ease of maintenance.

Emergency Option

- Provides 90 minutes of standby lighting, meeting most life safety codes for egress lighting
- Available with integral or remote charge indicator and test switch
- Available Self-Test (self-diagnostic) with remote charge indicator and test switch
- Emergency Transfer Relay Device bypasses local control during a power outage
- UL 924 listed

Connected Lighting System

Two WaveLinX connected systems to choose from. Refer to WaveLinX system specifications and application guides for details.

WaveLinX Wireless System Tilemount Sensor Kit

- WaveLinX Wireless WPST tile mount sensor kit offers daylight dimming, PIR motion sensing, scene and zone configuration, automatic commissioning; and optional RLTS - Real Time Location Services available.

WaveLinX Lite System Tilemount Sensor Kit

- WaveLinX Lite WLST tile mount sensor kit offers daylight dimming and PIR motion sensing, scene and grouping configuration.

WaveLinX Tilemount Kits Application

- The WPST and WLST tilemount kits include a control module mounted on the luminaire junction box via 1/2" knock-out, and a tilemount sensor on 54-inch whip; for ceiling installation by direct-mount spring clips or via mounting bracket in octagon ceiling boxes.
- The WPST and WLST tilemount kits may be ordered as factory installed on the luminaire, or ordered separately as a field installed accessory kit.

Code Compliance

- Thermally protected
- cULus Listed for wet locations with downlight; damp location with wall wash with covered ceiling
- IP66 rated when used with IP66 gasket kit accessory
- Optional City of Chicago environmental air (CCEA) marking for plenum applications
- FCC CFR Title 47 Part 15 Class B at 120VAC and Class A at 277VAC
- Insulated ceiling (IC) rated up to 1,500 lumens (90 and 97CRI). All others are non-IC rated (insulation must be kept 3" from top and sides of housing).
- RoHS compliant
- Photometric testing completed in accordance with IES LM-79
- LED life testing completed in accordance with IES LM-80-08 and TM-21-11 standards
- See table on page 3 for marked spacing requirements

Warranty

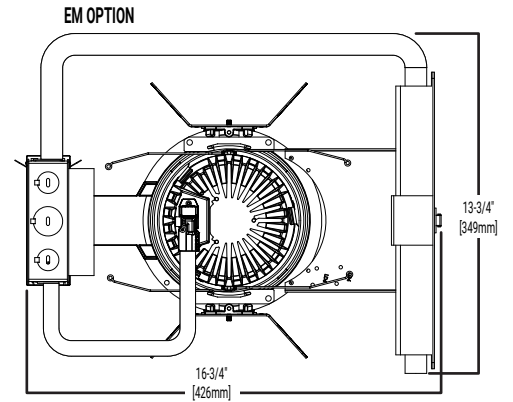
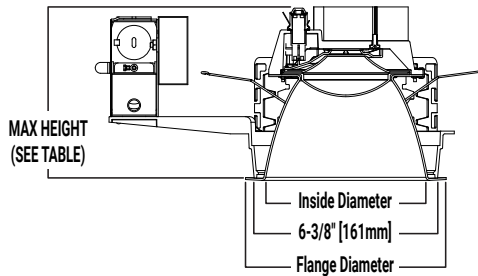
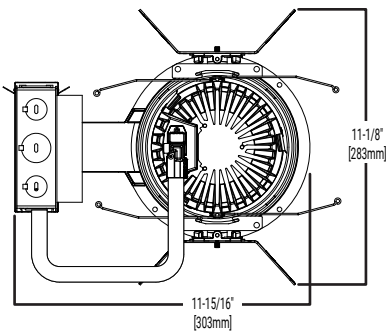
- Five year warranty

Marked Spacing

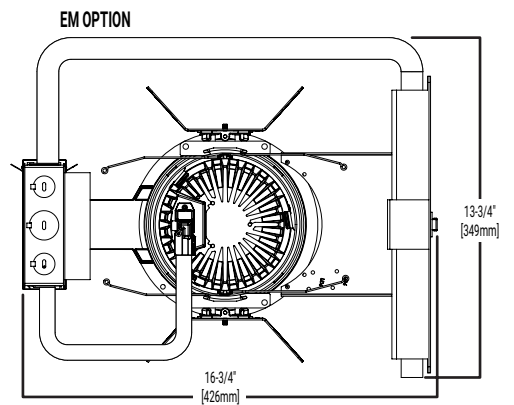
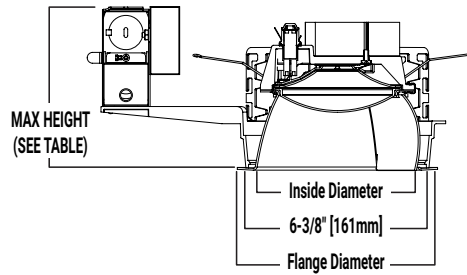
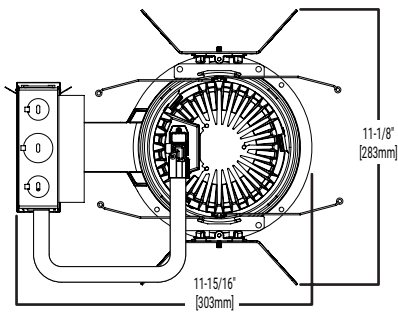
6-inch Marked spacing for 90 and 97 CRI			
4500-6000	36	36	6
6500-15,000	36	36	8

Dimensional and Mounting Details

DOWNLIGHT



WALL WASH



CATALOG #	Flange DIAMETER [IN]	INSIDE DIAMETER [IN]	MAX HEIGHT				
			250-2500 LUMENS	3000-4000 LUMENS	1000-1500IC LUMENS	6500-7000 LUMENS	9000-15000 LUMENS
6LBN	6.94	5.54	5.7	5.9	6.1	7.1	9.1
6LBM	6.94	5.54	5.7	5.9	6.1	7.1	9.1
6LBW	6.94	5.56	5.6	5.6	5.6	6.2	8.2
6LBBA	6.94	5.56	5.7	5.9	6.1	7.1	9.1
6LBMD	6.94	5.55	6.7	6.9	7	8	10
6LBHY	6.94	5.68	5.9	6	6.2	7.2	9.2
6LBS	6.94	5.62	5.6	5.6	5.6	5.6	6.7
6LBPS	6.94	5.66	5.6	5.6	5.6	5.6	6.7
6LBCS	6.94	5.66	5.6	5.6	5.6	5.6	6.7
6LBSWN	6.94	5.56	5.6	5.6	5.6	6.2	8.2
6LBDWN	6.94	5.56	5.6	5.6	5.6	6.2	8.2
6LBCW	6.94	5.14	5.6	5.6	5.6	6.3	8.3
6LBLSWW	6.94	5.56	5.6	5.6	5.6	6.2	8.2
6LBLDWW	6.94	5.56	5.6	5.6	5.6	6.2	8.2

Energy and Performance Data

D010 DRIVER ENERGY DATA

Series	250 lumen		500 lumen		800 lumen		1000 lumen		1500 lumen		2000 lumen	
	120V	277V	120V	277V	120V	277V	120V	277V	120V	277V	120V	277V
Input Voltage 120-277VAC	120V	277V	120V	277V	120V	277V	120V	277V	120V	277V	120V	277V
Input Current (A)	0.029	0.017	0.061	0.032	0.085	0.041	0.084	0.042	0.135	0.063	0.189	0.084
Input Power (W)	3.45	3.87	7.33	7.78	10.15	10.52	10.04	10.43	16.17	16.56	22.58	22.63
In-rush (A)	2.1	8.5	3.7	8.5	3.6	8.3	3.6	8.4	2.3	9.5	2.1	9.7
Inrush duration (µs)	250	131	190	136	220	135	226	136	230	125	243	132
THDi (%)	7.21	16.92	7.82	10.78	5.57	9.63	7.78	9.24	4.75	9.93	8.03	7.44
PF	≥ 0.98	≥ 0.9	≥ 0.99	≥ 0.93	≥ 0.99	≥ 0.95	≥ 0.99	≥ 0.95	≥ 0.99	≥ 0.94	≥ 0.99	≥ 0.96

Series	2500 lumen		3000 lumen		3500 lumen		4000 lumen		4500 lumen		5000 lumen	
	120V	277V	120V	277V	120V	277V	120V	277V	120V	277V	120V	277V
Input Voltage 120-277VAC	120V	277V	120V	277V	120V	277V	120V	277V	120V	277V	120V	277V
Input Current (A)	0.276	0.121	0.276	0.041	0.333	0.152	0.404	0.181	0.421	0.192	0.491	0.216
Input Power (W)	32.98	32.57	32	10.52	39.83	39.84	48.38	47.94	50.22	50.17	58.69	58.01
In-rush (A)	2.5	11.8	3.6	8.3	3.1	14.3	3.1	14.5	5.6	22.6	5.6	22.6
Inrush duration (µs)	215	111	220	135	200	94	197	95	215	120	213	135
THDi (%)	9.86	6.57	5.57	9.63	4.25	10.05	5.02	7.97	6.12	8.35	8.51	7.92
PF	≥ 0.99	≥ 0.97	≥ 0.99	≥ 0.95	≥ 0.99	≥ 0.94	≥ 0.99	≥ 0.95	≥ 0.99	≥ 0.95	≥ 0.99	≥ 0.96

Series	5500 lumen		6000 lumen		6500 lumen		7000 lumen		7500 lumen		8000 lumen	
	120V	277V	120V	277V	120V	277V	120V	277V	120V	277V	120V	277V
Input Voltage 120-277VAC	120V	277V	120V	277V	120V	277V	120V	277V	120V	277V	120V	277V
Input Current (A)	0.526	0.231	0.542	0.256	0.572	0.266	0.632	0.292	0.668	0.306	0.734	0.332
Input Power (W)	62.97	61.97	64.88	65.7	68.35	69.02	75.56	75.85	79.89	80.09	88.01	87.81
In-rush (A)	5.1	23.1	6.2	27.5	6.3	28.4	6.4	29.1	6.4	28.7	6.3	29.7
Inrush duration (µs)	217	138	188	101	189	92	187	90	185	100	187	123
THDi (%)	9.42	7.16	4.33	11.86	4.38	11.33	4.84	10.32	4.46	9.85	3.92	8.92
PF	≥ 0.99	≥ 0.96	≥ 0.99	≥ 0.93	≥ 0.99	≥ 0.93	≥ 0.99	≥ 0.94	≥ 0.99	≥ 0.94	≥ 0.99	≥ 0.95

Series	9000 lumen		10000 lumen		11000 lumen		12000 lumen		13,000 lumen		15000 lumen	
	120V	277V	120V	277V	120V	277V	120V	277V	120V	277V	120V	277V
Input Voltage 120-277VAC	120V	277V	120V	277V	120V	277V	120V	277V	120V	277V	120V	277V
Input Current (A)	0.842	0.374	0.961	0.416	1.09	0.49	1.192	0.512	1.263	0.561	1.446	0.624
Input Power (W)	101.12	99.88	114.86	113.66	130.27	127.6	142.59	140.17	151.68	149.82	172.29	170.51
In-rush (A)	12.9	28.6	11.4	40.3	11.5	40.2	11.5	41.2	19.2	43.1	17.2	40.4
Inrush duration (µs)	170	97	248	124	233	118	246	114	170	97	240	125
THDi (%)	5.74	9.28	7.42	8.55	6.08	13.13	5.7	7.3	5.74	7.58	5.86	8.56
PF	≥ 0.99	≥ 0.95	≥ 0.99	≥ 0.98	≥ 0.99	≥ 0.9	≥ 0.99	≥ 0.99	≥ 0.99	≥ 0.96	≥ 0.99	≥ 0.98

Minimum starting temperature -30°C (-22°F)*
(Nominal input 120-277VAC & 100% of rated output power)

Sound Rating: Class A standards

Notes:
Emergency Battery packs are rated for a minimum starting temperature of 0°C.

COLOR METRICS - TM-30-15 & CRI/CIE

90 CRI Color Metric Summary - 3500K*		97 CRI Color Metric Summary - 2700K*		97 CRI Color Metric Summary - 3000K*	
	TM-30-15 Rf = 92 Rg = 98 Ra = 92.2 R9 = 51.4		TM-30-15 Rf = 95 Rg = 99.8 Ra = 92.2 R9 = 85.8		TM-30-15 Rf = 93.9 Rg = 100.2 Ra = 92.2 R9 = 98.7

* Color values are based on haze reflector, other finishes and field results may vary.

Photometric Data

[View IES files](#)

MEDIUM 60° BEAM (H)		CANDLEPOWER DISTRIBUTION				CONE OF LIGHT				CANDELA TABLE		ZONAL LUMEN SUMMARY			LUMINANCE	
Downlight		Downlight				CONE OF LIGHT				Degrees Vertical	Canдела	Zone	Lumens	% Fixture	Average Candela Degrees	Average 0° Luminance
Test Number	P571658									0	1493	0-30	947	62.8	37	30591
Housing	LD6C20D010									5	1461	0-40	1287	85.3	45	13699
Module	EU6C10259035									15	1261	0-60	1482	98.2	55	5142
Trim	6LBMH									25	1015	0-90	1509	100	65	2516
Lumens	1509									35	539	90-180	0	0	75	1377
Efficacy	69.2 Lm/W									45	177	0-180	1509	100	85	0
SC	0.94									55	54					
UGR	12.5									65	19					
										75	6					
										85	0					
										90	0					

MEDIUM 55° BEAM (LI)		CANDLEPOWER DISTRIBUTION				CONE OF LIGHT				CANDELA TABLE		ZONAL LUMEN SUMMARY			LUMINANCE	
Downlight		Downlight				CONE OF LIGHT				Degrees Vertical	Canдела	Zone	Lumens	% Fixture	Average Candela Degrees	Average 0° Luminance
Test Number	P571659									0	2311	0-30	1359	73.6	37	30951
Housing	LD6C20D010									5	2281	0-40	1737	94	45	8063
Module	EU6C10259035									15	1903	0-60	1841	99.7	55	898
Trim	6LBMLI									25	1364	0-90	1847	100	65	623
Lumens	1847									35	591	90-180	0	0	75	508
Efficacy	84.7 Lm/W									45	104	0-180	1847	100	85	0
SC	0.85									55	9					
UGR	1.3									65	5					
										75	2					
										85	0					
										90	0					

NARROW 55° BEAM (H)		CANDLEPOWER DISTRIBUTION				CONE OF LIGHT				CANDELA TABLE		ZONAL LUMEN SUMMARY			LUMINANCE	
Downlight		Downlight				CONE OF LIGHT				Degrees Vertical	Canдела	Zone	Lumens	% Fixture	Average Candela Degrees	Average 0° Luminance
Test Number	P571660									0	1665	0-30	916	70.5	37	23572
Housing	LD6C20D010									5	1618	0-40	1191	91.7	45	6977
Module	EU6C10259035									15	1282	0-60	1289	99.2	55	2045
Trim	6LBNH									25	893	0-90	1299	100	65	921
Lumens	1299									35	438	90-180	0	0	75	508
Efficacy	59.6 Lm/W									45	90	0-180	1299	100	85	0
SC	0.78									55	21					
UGR	6.9									65	7					
										75	2					
										85	0					
										90	0					

NARROW 30° BEAM (LI)		CANDLEPOWER DISTRIBUTION				CONE OF LIGHT				CANDELA TABLE		ZONAL LUMEN SUMMARY			LUMINANCE	
Downlight		Downlight				CONE OF LIGHT				Degrees Vertical	Canдела	Zone	Lumens	% Fixture	Average Candela Degrees	Average 0° Luminance
Test Number	P571661									0	3738	0-30	1320	80.4	37	21389
Housing	LD6C20D010									5	3483	0-40	1580	96.2	45	4590
Module	EU6C10259035									15	2027	0-60	1639	99.8	55	459
Trim	6LBNLI									25	973	0-90	1642	100	65	311
Lumens	1642									35	412	90-180	0	0	75	0
Efficacy	75.3 Lm/W									45	59	0-180	1642	100	85	0
SC	0.53									55	5					
UGR	0									65	2					
										75	0					
										85	0					
										90	0					

Photometric Data

[View IES files](#)

SHALLOW 85° BEAM (H)		CANDLEPOWER DISTRIBUTION				CONE OF LIGHT				CANDELA TABLE		ZONAL LUMEN SUMMARY			LUMINANCE																																																								
Test Number	P571662									<table border="1"> <thead> <tr> <th>Degrees Vertical</th> <th>Canдела</th> </tr> </thead> <tbody> <tr><td>0</td><td>1125</td></tr> <tr><td>5</td><td>1116</td></tr> <tr><td>15</td><td>1021</td></tr> <tr><td>25</td><td>864</td></tr> <tr><td>35</td><td>694</td></tr> <tr><td>45</td><td>526</td></tr> <tr><td>55</td><td>343</td></tr> <tr><td>65</td><td>168</td></tr> <tr><td>75</td><td>40</td></tr> <tr><td>85</td><td>0</td></tr> <tr><td>90</td><td>0</td></tr> </tbody> </table>	Degrees Vertical	Canдела	0	1125	5	1116	15	1021	25	864	35	694	45	526	55	343	65	168	75	40	85	0	90	0	<table border="1"> <thead> <tr> <th>Zone</th> <th>Lumens</th> <th>% Fixture</th> </tr> </thead> <tbody> <tr><td>0-30</td><td>790</td><td>36.7</td></tr> <tr><td>0-40</td><td>1224</td><td>56.9</td></tr> <tr><td>0-60</td><td>1936</td><td>90</td></tr> <tr><td>0-90</td><td>2151</td><td>100</td></tr> <tr><td>90-180</td><td>0</td><td>0</td></tr> <tr><td>0-180</td><td>2151</td><td>100</td></tr> </tbody> </table>	Zone	Lumens	% Fixture	0-30	790	36.7	0-40	1224	56.9	0-60	1936	90	0-90	2151	100	90-180	0	0	0-180	2151	100	<table border="1"> <thead> <tr> <th>Average Candela Degrees</th> <th>Average 0° Luminance</th> </tr> </thead> <tbody> <tr><td>37</td><td>45292</td></tr> <tr><td>45</td><td>40764</td></tr> <tr><td>55</td><td>32821</td></tr> <tr><td>65</td><td>21818</td></tr> <tr><td>75</td><td>8536</td></tr> <tr><td>85</td><td>0</td></tr> </tbody> </table>	Average Candela Degrees	Average 0° Luminance	37	45292	45	40764	55	32821	65	21818	75	8536	85	0
Degrees Vertical	Canдела																																																																						
0	1125																																																																						
5	1116																																																																						
15	1021																																																																						
25	864																																																																						
35	694																																																																						
45	526																																																																						
55	343																																																																						
65	168																																																																						
75	40																																																																						
85	0																																																																						
90	0																																																																						
Zone	Lumens	% Fixture																																																																					
0-30	790	36.7																																																																					
0-40	1224	56.9																																																																					
0-60	1936	90																																																																					
0-90	2151	100																																																																					
90-180	0	0																																																																					
0-180	2151	100																																																																					
Average Candela Degrees	Average 0° Luminance																																																																						
37	45292																																																																						
45	40764																																																																						
55	32821																																																																						
65	21818																																																																						
75	8536																																																																						
85	0																																																																						
Housing	LD6C20D010																																																																						
Module	EU6C10259035																																																																						
Trim	6LBSH																																																																						
Lumens	2151																																																																						
Efficacy	98.7 Lm/W																																																																						
SC	1.06																																																																						
UGR	24.9																																																																						

SHALLOW 70° BEAM (LI)		CANDLEPOWER DISTRIBUTION				CONE OF LIGHT				CANDELA TABLE		ZONAL LUMEN SUMMARY			LUMINANCE																																																								
Test Number	P571663									<table border="1"> <thead> <tr> <th>Degrees Vertical</th> <th>Canдела</th> </tr> </thead> <tbody> <tr><td>0</td><td>1405</td></tr> <tr><td>5</td><td>1383</td></tr> <tr><td>15</td><td>1175</td></tr> <tr><td>25</td><td>913</td></tr> <tr><td>35</td><td>695</td></tr> <tr><td>45</td><td>523</td></tr> <tr><td>55</td><td>338</td></tr> <tr><td>65</td><td>163</td></tr> <tr><td>75</td><td>38</td></tr> <tr><td>85</td><td>0</td></tr> <tr><td>90</td><td>0</td></tr> </tbody> </table>	Degrees Vertical	Canдела	0	1405	5	1383	15	1175	25	913	35	695	45	523	55	338	65	163	75	38	85	0	90	0	<table border="1"> <thead> <tr> <th>Zone</th> <th>Lumens</th> <th>% Fixture</th> </tr> </thead> <tbody> <tr><td>0-30</td><td>879</td><td>39.5</td></tr> <tr><td>0-40</td><td>1315</td><td>59.1</td></tr> <tr><td>0-60</td><td>2019</td><td>90.7</td></tr> <tr><td>0-90</td><td>2226</td><td>100</td></tr> <tr><td>90-180</td><td>0</td><td>0</td></tr> <tr><td>0-180</td><td>2226</td><td>100</td></tr> </tbody> </table>	Zone	Lumens	% Fixture	0-30	879	39.5	0-40	1315	59.1	0-60	2019	90.7	0-90	2226	100	90-180	0	0	0-180	2226	100	<table border="1"> <thead> <tr> <th>Average Candela Degrees</th> <th>Average 0° Luminance</th> </tr> </thead> <tbody> <tr><td>37</td><td>45256</td></tr> <tr><td>45</td><td>40516</td></tr> <tr><td>55</td><td>32324</td></tr> <tr><td>65</td><td>21170</td></tr> <tr><td>75</td><td>8006</td></tr> <tr><td>85</td><td>0</td></tr> </tbody> </table>	Average Candela Degrees	Average 0° Luminance	37	45256	45	40516	55	32324	65	21170	75	8006	85	0
Degrees Vertical	Canдела																																																																						
0	1405																																																																						
5	1383																																																																						
15	1175																																																																						
25	913																																																																						
35	695																																																																						
45	523																																																																						
55	338																																																																						
65	163																																																																						
75	38																																																																						
85	0																																																																						
90	0																																																																						
Zone	Lumens	% Fixture																																																																					
0-30	879	39.5																																																																					
0-40	1315	59.1																																																																					
0-60	2019	90.7																																																																					
0-90	2226	100																																																																					
90-180	0	0																																																																					
0-180	2226	100																																																																					
Average Candela Degrees	Average 0° Luminance																																																																						
37	45256																																																																						
45	40516																																																																						
55	32324																																																																						
65	21170																																																																						
75	8006																																																																						
85	0																																																																						
Housing	LD6C20D010																																																																						
Module	EU6C10259035																																																																						
Trim	6LBSLI																																																																						
Lumens	2226																																																																						
Efficacy	102.1 Lm/W																																																																						
SC	0.91																																																																						
UGR	24.6																																																																						

WIDE 80° BEAM (H)		CANDLEPOWER DISTRIBUTION				CONE OF LIGHT				CANDELA TABLE		ZONAL LUMEN SUMMARY			LUMINANCE																																																								
Test Number	P571664									<table border="1"> <thead> <tr> <th>Degrees Vertical</th> <th>Canдела</th> </tr> </thead> <tbody> <tr><td>0</td><td>1127</td></tr> <tr><td>5</td><td>1122</td></tr> <tr><td>15</td><td>1072</td></tr> <tr><td>25</td><td>968</td></tr> <tr><td>35</td><td>746</td></tr> <tr><td>45</td><td>412</td></tr> <tr><td>55</td><td>149</td></tr> <tr><td>65</td><td>40</td></tr> <tr><td>75</td><td>12</td></tr> <tr><td>85</td><td>2</td></tr> <tr><td>90</td><td>0</td></tr> </tbody> </table>	Degrees Vertical	Canдела	0	1127	5	1122	15	1072	25	968	35	746	45	412	55	149	65	40	75	12	85	2	90	0	<table border="1"> <thead> <tr> <th>Zone</th> <th>Lumens</th> <th>% Fixture</th> </tr> </thead> <tbody> <tr><td>0-30</td><td>851</td><td>46.6</td></tr> <tr><td>0-40</td><td>1312</td><td>71.8</td></tr> <tr><td>0-60</td><td>1770</td><td>96.9</td></tr> <tr><td>0-90</td><td>1827</td><td>100</td></tr> <tr><td>90-180</td><td>0</td><td>0</td></tr> <tr><td>0-180</td><td>1827</td><td>100</td></tr> </tbody> </table>	Zone	Lumens	% Fixture	0-30	851	46.6	0-40	1312	71.8	0-60	1770	96.9	0-90	1827	100	90-180	0	0	0-180	1827	100	<table border="1"> <thead> <tr> <th>Average Candela Degrees</th> <th>Average 0° Luminance</th> </tr> </thead> <tbody> <tr><td>37</td><td>47030</td></tr> <tr><td>45</td><td>31934</td></tr> <tr><td>55</td><td>14260</td></tr> <tr><td>65</td><td>5228</td></tr> <tr><td>75</td><td>2499</td></tr> <tr><td>85</td><td>1510</td></tr> </tbody> </table>	Average Candela Degrees	Average 0° Luminance	37	47030	45	31934	55	14260	65	5228	75	2499	85	1510
Degrees Vertical	Canдела																																																																						
0	1127																																																																						
5	1122																																																																						
15	1072																																																																						
25	968																																																																						
35	746																																																																						
45	412																																																																						
55	149																																																																						
65	40																																																																						
75	12																																																																						
85	2																																																																						
90	0																																																																						
Zone	Lumens	% Fixture																																																																					
0-30	851	46.6																																																																					
0-40	1312	71.8																																																																					
0-60	1770	96.9																																																																					
0-90	1827	100																																																																					
90-180	0	0																																																																					
0-180	1827	100																																																																					
Average Candela Degrees	Average 0° Luminance																																																																						
37	47030																																																																						
45	31934																																																																						
55	14260																																																																						
65	5228																																																																						
75	2499																																																																						
85	1510																																																																						
Housing	LD6C20D010																																																																						
Module	EU6C10259035																																																																						
Trim	6LBWH																																																																						
Lumens	1827																																																																						
Efficacy	83.8 Lm/W																																																																						
SC	1.16																																																																						
UGR	17.8																																																																						

WIDE 80° BEAM (LI)		CANDLEPOWER DISTRIBUTION				CONE OF LIGHT				CANDELA TABLE		ZONAL LUMEN SUMMARY			LUMINANCE																																																								
Test Number	P571665									<table border="1"> <thead> <tr> <th>Degrees Vertical</th> <th>Canдела</th> </tr> </thead> <tbody> <tr><td>0</td><td>1304</td></tr> <tr><td>5</td><td>1311</td></tr> <tr><td>15</td><td>1339</td></tr> <tr><td>25</td><td>1249</td></tr> <tr><td>35</td><td>946</td></tr> <tr><td>45</td><td>438</td></tr> <tr><td>55</td><td>76</td></tr> <tr><td>65</td><td>7</td></tr> <tr><td>75</td><td>2</td></tr> <tr><td>85</td><td>0</td></tr> <tr><td>90</td><td>0</td></tr> </tbody> </table>	Degrees Vertical	Canдела	0	1304	5	1311	15	1339	25	1249	35	946	45	438	55	76	65	7	75	2	85	0	90	0	<table border="1"> <thead> <tr> <th>Zone</th> <th>Lumens</th> <th>% Fixture</th> </tr> </thead> <tbody> <tr><td>0-30</td><td>1074</td><td>51.4</td></tr> <tr><td>0-40</td><td>1657</td><td>79.4</td></tr> <tr><td>0-60</td><td>2075</td><td>99.4</td></tr> <tr><td>0-90</td><td>2087</td><td>100</td></tr> <tr><td>90-180</td><td>0</td><td>0</td></tr> <tr><td>0-180</td><td>2087</td><td>100</td></tr> </tbody> </table>	Zone	Lumens	% Fixture	0-30	1074	51.4	0-40	1657	79.4	0-60	2075	99.4	0-90	2087	100	90-180	0	0	0-180	2087	100	<table border="1"> <thead> <tr> <th>Average Candela Degrees</th> <th>Average 0° Luminance</th> </tr> </thead> <tbody> <tr><td>37</td><td>58990</td></tr> <tr><td>45</td><td>33942</td></tr> <tr><td>55</td><td>7235</td></tr> <tr><td>65</td><td>921</td></tr> <tr><td>75</td><td>508</td></tr> <tr><td>85</td><td>0</td></tr> </tbody> </table>	Average Candela Degrees	Average 0° Luminance	37	58990	45	33942	55	7235	65	921	75	508	85	0
Degrees Vertical	Canдела																																																																						
0	1304																																																																						
5	1311																																																																						
15	1339																																																																						
25	1249																																																																						
35	946																																																																						
45	438																																																																						
55	76																																																																						
65	7																																																																						
75	2																																																																						
85	0																																																																						
90	0																																																																						
Zone	Lumens	% Fixture																																																																					
0-30	1074	51.4																																																																					
0-40	1657	79.4																																																																					
0-60	2075	99.4																																																																					
0-90	2087	100																																																																					
90-180	0	0																																																																					
0-180	2087	100																																																																					
Average Candela Degrees	Average 0° Luminance																																																																						
37	58990																																																																						
45	33942																																																																						
55	7235																																																																						
65	921																																																																						
75	508																																																																						
85	0																																																																						
Housing	LD6C20D010																																																																						
Module	EU6C10259035																																																																						
Trim	6LBWLI																																																																						
Lumens	2087																																																																						
Efficacy	95.7 Lm/W																																																																						
SC	1.24																																																																						
UGR	10.8																																																																						

Photometric Data

[View IES files](#)

SINGLE WALL WASH (LI)		CANDLEPOWER DISTRIBUTION				CONE OF LIGHT				CANDELA TABLE		ZONAL LUMEN SUMMARY			LUMINANCE	
Test Number	P571666									Degrees Vertical	Candela	Zone	Lumens	% Fixture	Average Candela Degrees	Average 0° Luminance
Housing	LD6C20D010									0	1155	0-30	971	46	37	47358
Module	EU6C10259035	5	1121	0-40	1515	71.7	45	36399								
Trim	6LBSWNL1	15	1048	0-60	2008	95.1	55	26819								
Lumens	2112	25	949	0-90	2112	100	65	23491								
Efficacy	96.9 Lm/W	35	746	90-180	0	0	75	17305								
SC	1.29	45	470	0-180	2112	100	85	11133								
UGR	25.8	55	281													
		65	181													
		75	82													
		85	18													
		90	0													

LENSED WALL WASH (H)		CANDLEPOWER DISTRIBUTION				CONE OF LIGHT				CANDELA TABLE		ZONAL LUMEN SUMMARY			LUMINANCE	
Test Number	P571667									Degrees Vertical	Candela	Zone	Lumens	% Fixture	Average Candela Degrees	Average 0° Luminance
Housing	LD6C20D010									0	937	0-30	682	40	37	40857
Module	EU6C10259035	5	936	0-40	1049	61.6	45	32321								
Trim	6LBSWWH	15	902	0-60	1561	91.6	55	24315								
Lumens	1704	25	824	0-90	1704	100	65	18705								
Efficacy	78.2 Lm/W	35	642	90-180	0	0	75	12878								
SC	1.08	45	417	0-180	1704	100	85	3585								
UGR	25	55	254													
		65	144													
		75	61													
		85	6													
		90	0													

LENSED WALL WASH (LI)		CANDLEPOWER DISTRIBUTION				CONE OF LIGHT				CANDELA TABLE		ZONAL LUMEN SUMMARY			LUMINANCE	
Test Number	P571668									Degrees Vertical	Candela	Zone	Lumens	% Fixture	Average Candela Degrees	Average 0° Luminance
Housing	LD6C20D010									0	953	0-30	712	40.6	37	40426
Module	EU6C10259035	5	936	0-40	1094	62.4	45	31833								
Trim	6LBSWWLI	15	896	0-60	1620	92.4	55	23961								
Lumens	1753	25	822	0-90	1753	100	65	18497								
Efficacy	80.4 Lm/W	35	638	90-180	0	0	75	12942								
SC	1.1	45	411	0-180	1753	100	85	3585								
UGR	24.8	55	251													
		65	143													
		75	61													
		85	6													
		90	0													

MEDIUM BEAM 45° CUTOFF 50° BEAM (H)		CANDLEPOWER DISTRIBUTION				CONE OF LIGHT				CANDELA TABLE		ZONAL LUMEN SUMMARY			LUMINANCE	
Test Number	P571669									Degrees Vertical	Candela	Zone	Lumens	% Fixture	Average Candela Degrees	Average 0° Luminance
Housing	LD6C20D010									0	1962	0-30	1072	71.8	37	24203
Module	EU6C10259035	5	1894	0-40	1351	90.5	45	9900								
Trim	6LBMDH	15	1517	0-60	1480	99.1	55	2542								
Lumens	1493	25	1052	0-90	1493	100	65	1180								
Efficacy	68.5 Lm/W	35	437	90-180	0	0	75	635								
SC	0.8	45	128	0-180	1493	100	85	252								
UGR	7.6	55	27													
		65	9													
		75	3													
		85	0													
		90	0													

Photometric Data

[View IES files](#)

MEDIUM BEAM 45° CUTOFF 50° BEAM (LI)	CANDLEPOWER DISTRIBUTION	CONE OF LIGHT	CANDELA TABLE	ZONAL LUMEN SUMMARY	LUMINANCE																																																											
Test Number P571670 Housing LD6C20D010 Module EU6C10259035 Trim 6LBMDLI Lumens 1549 Efficacy 71.1 Lm/W SC 0.76 UGR 0	Downlight 		<table border="1"> <thead> <tr> <th>Degrees Vertical</th> <th>Candela</th> </tr> </thead> <tbody> <tr><td>0</td><td>2314</td></tr> <tr><td>5</td><td>2309</td></tr> <tr><td>15</td><td>1837</td></tr> <tr><td>25</td><td>1109</td></tr> <tr><td>35</td><td>371</td></tr> <tr><td>45</td><td>65</td></tr> <tr><td>55</td><td>6</td></tr> <tr><td>65</td><td>2</td></tr> <tr><td>75</td><td>1</td></tr> <tr><td>85</td><td>0</td></tr> <tr><td>90</td><td>0</td></tr> </tbody> </table>	Degrees Vertical	Candela	0	2314	5	2309	15	1837	25	1109	35	371	45	65	55	6	65	2	75	1	85	0	90	0	<table border="1"> <thead> <tr> <th>Zone</th> <th>Lumens</th> <th>% Fixture</th> </tr> </thead> <tbody> <tr><td>0-30</td><td>1230</td><td>79.4</td></tr> <tr><td>0-40</td><td>1486</td><td>95.9</td></tr> <tr><td>0-60</td><td>1546</td><td>99.8</td></tr> <tr><td>0-90</td><td>1549</td><td>100</td></tr> <tr><td>90-180</td><td>0</td><td>0</td></tr> <tr><td>0-180</td><td>1549</td><td>100</td></tr> </tbody> </table>	Zone	Lumens	% Fixture	0-30	1230	79.4	0-40	1486	95.9	0-60	1546	99.8	0-90	1549	100	90-180	0	0	0-180	1549	100	<table border="1"> <thead> <tr> <th>Average Candela Degrees</th> <th>Average 0° Luminance</th> </tr> </thead> <tbody> <tr><td>37</td><td>18792</td></tr> <tr><td>45</td><td>5032</td></tr> <tr><td>55</td><td>535</td></tr> <tr><td>65</td><td>259</td></tr> <tr><td>75</td><td>169</td></tr> <tr><td>85</td><td>0</td></tr> </tbody> </table>	Average Candela Degrees	Average 0° Luminance	37	18792	45	5032	55	535	65	259	75	169	85	0
Degrees Vertical	Candela																																																															
0	2314																																																															
5	2309																																																															
15	1837																																																															
25	1109																																																															
35	371																																																															
45	65																																																															
55	6																																																															
65	2																																																															
75	1																																																															
85	0																																																															
90	0																																																															
Zone	Lumens	% Fixture																																																														
0-30	1230	79.4																																																														
0-40	1486	95.9																																																														
0-60	1546	99.8																																																														
0-90	1549	100																																																														
90-180	0	0																																																														
0-180	1549	100																																																														
Average Candela Degrees	Average 0° Luminance																																																															
37	18792																																																															
45	5032																																																															
55	535																																																															
65	259																																																															
75	169																																																															
85	0																																																															
		<table border="1"> <thead> <tr> <th>D</th> <th>FC</th> <th>L</th> <th>W</th> </tr> </thead> <tbody> <tr><td>4'</td><td>144.6</td><td>3</td><td>3</td></tr> <tr><td>7'</td><td>47.2</td><td>5.2</td><td>5.2</td></tr> <tr><td>9'</td><td>28.6</td><td>6.8</td><td>6.8</td></tr> <tr><td>13'</td><td>13.7</td><td>9.8</td><td>9.8</td></tr> <tr><td>16'</td><td>9</td><td>12</td><td>12</td></tr> </tbody> </table>	D	FC	L	W	4'	144.6	3	3	7'	47.2	5.2	5.2	9'	28.6	6.8	6.8	13'	13.7	9.8	9.8	16'	9	12	12																																						
D	FC	L	W																																																													
4'	144.6	3	3																																																													
7'	47.2	5.2	5.2																																																													
9'	28.6	6.8	6.8																																																													
13'	13.7	9.8	9.8																																																													
16'	9	12	12																																																													

Photometric Multipliers (Nominal Lumen Values)

250 Lumen	500 Lumen	800 Lumen	1000 Lumen	1500 Lumen	2000 Lumen	2500 Lumen	3000 Lumen	3500 Lumen
0.17	0.33	0.44	0.51	0.78	1.00	1.26	1.48	1.74

4000 Lumen	4500 Lumen	5000 Lumen	5500 Lumen	6000 Lumen	6500 Lumen	7000 Lumen	7500 Lumen	8000 Lumen
2.02	2.34	2.65	2.96	3.20	3.35	3.52	4.14	4.47

9000 Lumen	10000 Lumen	11000 Lumen	12000 Lumen	13,000 Lumen
4.76	5.09	5.87	6.33	6.96

Multipliers for relative lumen values with other series models.

CCT Multipliers – 90CRI

2400K	2700K	3000K	3500K	4000K	5000K
0.912	0.949	0.986	1	1.001	1.022

Multipliers for relative lumen values with other series color temperatures.

CCT Multipliers – 97CRI

2700K	3000K	3500K	4000K	5000K
0.889	0.955	1	1.016	1.07

Multipliers for relative lumen values with other series color temperatures.

Color Finish Multipliers

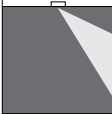
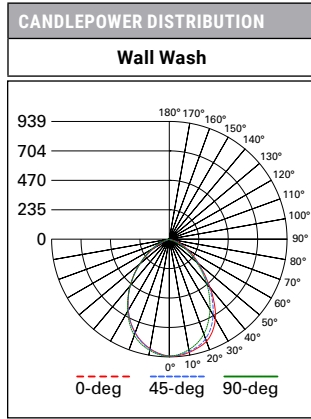
Finish code	LI	H	WMH	WH	GPH	B	MW
Finish	Specular Clear	Semi-Specular Clear	Warm Haze	Wheat	Graphite Haze	Specular Black	Matte White
Multiplier	1.22	1	1.07	1.07	0.76	0.59	1.09

Multipliers for relative lumen values with other color finishes.

Photometric Data

[View IES files](#)

WALL WASH	
Test Number	P563510
Housing	LD6C20D010
Module	EU6209035
Trim	6LBLWWH
Lumens	1704
Efficacy	78.2 Lm/W
SC	1.08
UGR	0

CANDELA TABLE	
Degrees Vertical	Candela
0	937
5	936
15	902
25	824
35	642
45	417
55	254
65	144
75	61
85	6
90	0

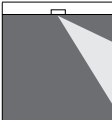
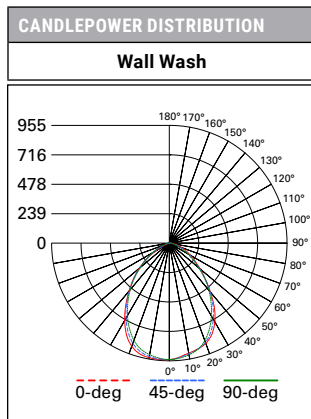
ZONAL LUMEN SUMMARY		
Zone	Lumens	% Fixture
0-30	682	40
0-40	1049	61.6
0-60	1561	91.6
0-90	1704	100
90-180	0	0
0-180	1704	100

LUMINANCE	
Average Candela Degrees	Average 0° Luminance
37	40857
45	32321
55	24315
65	18705
75	12878
85	3585

Single Unit Footcandles 3" from wall (distance from fixture along wall)					
DD	•	1'	2'	3'	
1'	8.3	6.4	3.3	1.3	
2'	15.2	12.5	7.5	3.8	
3'	16.4	14	9.2	5.3	
4'	14.4	12.7	9.1	5.7	
5'	11	10.1	7.8	5.3	
6'	8	7.5	6.2	4.6	
7'	5.7	5.5	4.7	3.8	
8'	4.2	4	3.6	3	
9'	3.1	3	2.8	2.4	
10'	2.4	2.3	2.2	1.9	

Multiple Unit Footcandles 3" from wall (spacing between fixtures)					
•	-- 3' --	•	•	-- 4' --	•
9.6	9.5	9.6	8.8	6.5	8.8
19.1	20.1	19.1	17.1	15.1	17.1
21.6	23.3	21.6	19.2	18.4	19.2
20	21.9	20	17.7	18.1	17.7
16.4	18.1	16.4	14.4	15.6	14.4
12.6	13.8	12.6	11.2	12.4	11.2
9.5	10.3	9.5	8.5	9.5	8.5
7.2	7.7	7.2	6.6	7.2	6.6
5.5	5.9	5.5	5.1	5.6	5.1
4.3	4.5	4.3	4	4.3	4

WALL WASH	
Test Number	P563511
Housing	LD6C20D010
Module	EU6209035
Trim	6LBLWWLI
Lumens	1753
Efficacy	80.4 Lm/W
SC	1.1
UGR	0

CANDELA TABLE	
Degrees Vertical	Candela
0	953
5	936
15	896
25	822
35	638
45	411
55	251
65	143
75	61
85	6
90	0

ZONAL LUMEN SUMMARY		
Zone	Lumens	% Fixture
0-30	712	40.6
0-40	1094	62.4
0-60	1620	92.4
0-90	1753	100
90-180	0	0
0-180	1753	100

LUMINANCE	
Average Candela Degrees	Average 0° Luminance
37	40426
45	31833
55	23961
65	18497
75	12942
85	3585

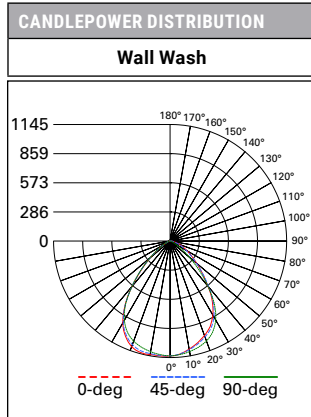
Single Unit Footcandles 3" from wall (distance from fixture along wall)					
DD	•	1'	2'	3'	
1'	8.3	6.4	3.2	1.3	
2'	15.1	12.5	7.5	3.8	
3'	16.1	13.9	9.2	5.3	
4'	14.2	12.6	9.1	5.7	
5'	10.9	10	7.8	5.4	
6'	7.9	7.5	6.2	4.6	
7'	5.7	5.5	4.8	3.8	
8'	4.2	4	3.6	3	
9'	3.1	3	2.8	2.4	
10'	2.3	2.3	2.2	1.9	

Multiple Unit Footcandles 3" from wall (spacing between fixtures)					
•	-- 3' --	•	•	-- 4' --	•
9.5	9.5	9.5	8.7	6.4	8.7
18.9	20	18.9	16.9	15.1	16.9
21.4	23.2	21.4	19	18.4	19
19.9	21.9	19.9	17.6	18.1	17.6
16.3	18	16.3	14.4	15.6	14.4
12.6	13.8	12.6	11.2	12.4	11.2
9.5	10.3	9.5	8.5	9.5	8.5
7.2	7.7	7.2	6.6	7.3	6.6
5.5	5.9	5.5	5.1	5.6	5.1
4.3	4.5	4.3	4	4.3	4

Photometric Data

[View IES files](#)

WALL WASH	
Test Number	P563508
Housing	LD6C20D010
Module	EU6209035
Trim	6LBSWH
Lumens	1909
Efficacy	87.6 Lm/W
SC	1.18
UGR	0



CANDELA TABLE	
Degrees Vertical	Candela
0	1138
5	1123
15	1046
25	937
35	728
45	451
55	257
65	139
75	52
85	11
90	0

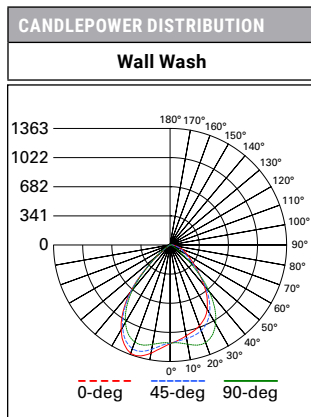
ZONAL LUMEN SUMMARY		
Zone	Lumens	% Fixture
0-30	868	45.5
0-40	1335	69.9
0-60	1817	95.2
0-90	1909	100
90-180	0	0
0-180	1909	100

LUMINANCE	
Average Candela Degrees	Average 0° Luminance
37	46298
45	34942
55	24563
65	18005
75	11056
85	6919

Single Unit Footcandles 3" from wall (distance from fixture along wall)				
DD	•	1'	2'	3'
1'	7.6	5.9	3.1	1.2
2'	15.3	12.5	7.6	3.7
3'	17.7	15	9.9	5.4
4'	16.3	14.3	10.2	6.2
5'	12.5	11.5	9.1	6.2
6'	9	8.6	7.3	5.6
7'	6.5	6.3	5.6	4.6
8'	4.8	4.6	4.2	3.7
9'	3.6	3.5	3.2	2.9
10'	2.7	2.6	2.5	2.3

Multiple Unit Footcandles 3" from wall (spacing between fixtures)					
•	-- 3' --	•	•	-- 4' --	•
8.8	8.9	8.8	8	6.1	8
19	20.1	19	16.9	15.1	16.9
23.1	25	23.1	20.3	19.7	20.3
22.5	24.8	22.5	19.7	20.4	19.7
18.7	21	18.7	16.3	18.3	16.3
14.6	16	14.6	12.8	14.6	12.8
11.1	11.9	11.1	10	11.2	10
8.4	8.9	8.4	7.7	8.5	7.7
6.4	6.7	6.4	6	6.5	6
5	5.2	5	4.7	5	4.7

WALL WASH	
Test Number	P563509
Housing	LD6C20D010
Module	EU6209035
Trim	6LBSWLI
Lumens	2112
Efficacy	96.9 Lm/W
SC	1.29
UGR	0



CANDELA TABLE	
Degrees Vertical	Candela
0	1155
5	1121
15	1048
25	949
35	746
45	470
55	281
65	181
75	82
85	18
90	0

ZONAL LUMEN SUMMARY		
Zone	Lumens	% Fixture
0-30	971	46
0-40	1515	71.7
0-60	2008	95.1
0-90	2112	100
90-180	0	0
0-180	2112	100

LUMINANCE	
Average Candela Degrees	Average 0° Luminance
37	47358
45	36399
55	26819
65	23491
75	17305
85	11133

Single Unit Footcandles 3" from wall (distance from fixture along wall)				
DD	•	1'	2'	3'
1'	11	8.7	4.6	1.9
2'	16.9	13.8	8.5	4.4
3'	18.4	15.7	10	5.2
4'	16.6	14.8	10.7	6.3
5'	12.7	11.7	9.5	6.6
6'	9.2	8.7	7.6	5.9
7'	6.6	6.3	5.8	4.9
8'	4.8	4.7	4.4	3.9
9'	3.6	3.5	3.4	3.1
10'	2.7	2.7	2.6	2.4

Multiple Unit Footcandles 3" from wall (spacing between fixtures)					
•	-- 3' --	•	•	-- 4' --	•
12.9	13.1	12.9	11.8	9.2	11.8
21.3	22.4	21.3	19	17	19
23.6	25.8	23.6	21	20	21
22.9	25.9	22.9	19.9	21.5	19.9
19.3	21.6	19.3	16.6	19.1	16.6
15.1	16.5	15.1	13.3	15.2	13.3
11.4	12.2	11.4	10.3	11.6	10.3
8.7	9.1	8.7	8	8.8	8
6.6	6.9	6.6	6.2	6.7	6.2
5.2	5.3	5.2	4.9	5.2	4.9

Multi-line Order Information

SAMPLE ORDER NUMBER: **LD6C10D010TRIEM14**

Invoice will indicate separate fixture components (housing, trim, module) and may ship from multiple CLS facilities in separate cartons.



Domestic Preferences ⁽¹⁾	Housing	Lumens ⁽²⁾			
[Blank] =Standard BAA =Buy American Act TAA =Trade Agreements Act	LD6C =LED Downlight 6-inch Nominal Aperture LD6CCP =LED Downlight 6-inch Nominal Aperture, Chicago Plenum	02 =250 lumens 05 =500 lumens 08 =800 lumens 10 =1000 lumens 15 =1500 lumens 20 =2000 lumens	25 =2500 lumens 30 =3000 lumens 35 =3500 lumens 40 =4000 lumens 45 =4500 lumens ⁽³⁾ 50 =5000 lumens ⁽³⁾	55 =5500 lumens ⁽³⁾ 60 =6000 lumens ⁽³⁾ 65 =6500 lumens ⁽³⁾ 70 =7000 lumens ⁽³⁾ 75 =7500 lumens ⁽³⁾ 80 =8000 Lumens ⁽³⁾	90 =9000 Lumens ⁽³⁾ 100 =10,000 Lumens ⁽³⁾ 110 =11,000 Lumens ⁽³⁾ 120 =12,000 Lumens ⁽³⁾ 130 =13,000 Lumens ⁽³⁾ 150 =15,000 Lumens ⁽³⁾

Driver	Driver Options
D010 = 0-10V Dimming, 1% to 100%, 120V-277V, up to 7000 lumens 1D010 = 0-10V Dimming, 1% to 100%, 120V, 7500 lumens and above 2D010 = 0-10V Dimming, 1% to 100%, 277V, 7500 lumens and above 3D010 = 0-10V Dimming, 1% to 100%, 347V dedicated drivers for 800 to 4000 lumens; 250, 500, 4500 and above use step down transformer 1 driver: 250-7000 / 2 drivers: 7500-12,000 / 3 drivers: 13,000-15,000	Blank =Integral driver R =Remote driver (offered with single driver, order remote driver separately) ⁽⁶⁾ PD =Plug in Driver (offered with single driver) ⁽⁸⁾
D010TR = 0-10V Dimming, 5% to 100%, 120V-277V, 250- 4500 lumens 1D010TR = 0-10V Dimming, 5% to 100%, 120V, 5000-9000 and 13,000 lumens 2D010TR = 0-10V Dimming, 5% to 100%, 277V, 5000-9000 and 13,000 lumens 3D010TR = 0-10V Dimming, 5% to 100%, 347V step down transformer, 250-9000 and 13,000 lumens 1 driver: 250-4500 / 2 drivers: 5000-9000 / 3 drivers: 13,000	
DE010 = 0-10V Dimming, 0% to 100%, 120V-277V, 500-7000 lumens 1DE010 = 0-10V Dimming, 0% to 100%, 120V, 7500 lumens and above 2DE010 = 0-10V Dimming, 0% to 100%, 277V, 7500 lumens and above 3DE010 = 0-10V Dimming, 0% to 100%, 0-10V Dimming, 347V step down transformer, 500-15,000 lumens 1 driver: 500-7000 / 2 drivers: 7500-12,000 / 3 drivers: 13,000-15,000	
DSLT = Fifth Light® (DALI T6) Logarithmic Dimming, 0% to 100%, 120V-277V, 500-7000 lumens 1DSLT = Fifth Light® (DALI T6) Logarithmic Dimming, 0% to 100%, 120V, 7500 lumens and above 2DSLT =Fifth Light® (DALI T6) Logarithmic Dimming, 0% to 100%, 277V, 7500 lumens and above 3DSLT =Fifth Light® (DALI T6) Logarithmic Dimming, 0% to 100% 347V step down transformer, 500-15,000 lumens 1 driver: 500-7000 / 2 drivers: 7500-12,000 / 3 drivers: 13,000-15,000	
DMX =DMX/RDM Logarithmic Dimming, 0% to 100%, 120V-277V, 800-4500 lumens ⁽⁵⁾ 1DMX =DMX/RDM Logarithmic Dimming, 0% to 100%, 120V, 5000-9000 and 13,000 lumens ⁽⁵⁾ 2DMX =DMX/RDM Logarithmic Dimming, 0% to 100%, 277V, 5000-9000 and 13,000 lumens ⁽⁵⁾ 3DMX =DMX/RDM Logarithmic Dimming, 0% to 100%, 347V step down transformer, 800-9000 and 13,000 lumens, RJ45 Connection ⁽⁵⁾ 1 driver: 800-4500 / 2 drivers: 5000-9000 / 3 drivers: 13,000	
DMXC5 =DMX/RDM Logarithmic Dimming, 0% to 100%, 120V-277V, up to 800-4500 lumens, RJ45 Connection ⁽⁵⁾ 1DMXC5 =DMX/RDM Logarithmic Dimming, 0% to 100%, 120V, 5000-9000 and 13,000 lumens, RJ45 Connection ⁽⁵⁾ 2DMXC5 =DMX/RDM Logarithmic Dimming, 0% to 100%, 277V, 5000-9000 and 13,000 lumens, RJ45 Connection ⁽⁵⁾ 3DMXCF =DMX/RDM Logarithmic Dimming, 0% to 100%, 347V step down transformer, 250-9000 and 13,000 lumens, RJ45 Connection ⁽⁵⁾ 1 driver: 800-4500 / 2 drivers: 5000-9000 / 3 drivers: 13,000	
1DL2 =Lutron® Hi-Lume Forward Phase Dimming, 1% to 100%, 120V Only, 800-7500 lumens 3DL2 = Lutron® Hi-Lume Forward Phase Dimming, 1% to 100%, 347V step down transformer, 800-7500 lumens 1 driver: 800-3500 / 2 drivers: 4000-7500	
DLE =Lutron Ecosystem dimming 1% to 100%, 120V-277V, 800-3500 lumens 1DLE =Lutron Ecosystem dimming 1% to 100%, 120V, 4000-7500 lumens 2DLE =Lutron Ecosystem dimming 1% to 100%, 277V, 4000-7500 lumens 3DLE =Lutron Ecosystem dimming 1% to 100%, 347V step down transformer, 800-7500 lumens 1 driver: 800-3500 / 2 drivers: 4000-7500	
DLV =Low voltage dimming driver (1-100%) for use with DLVP system 800-3000 lumens ⁽⁶⁾	

Options ^{(6) (8) (31)}

EMBOD =Bodine® Emergency Module with Remote Test Switch ⁽¹⁰⁾ EMBOD6ST =Bodine® 6W Self Test Emergency Module with Remote Test Switch EM7 =7W Emergency Module with Remote Test Switch EM14 =14W Emergency Module with Remote Test Switch EMBOD7ST =Bodine® Self Test Emergency Module ⁽¹⁰⁾ IEMBOD =Bodine® Emergency Module with Integral Test Switch ^{(10) (22)}	IEM7 =7W Emergency Module with Integral Test Switch ⁽²²⁾ IEM14 =14W Emergency Module with Integral Test Switch ⁽²²⁾ EMV7 =7W Low Voltage Emergency Module with Remote Test Switch ⁽⁷⁾ EMV14 =14W Low Voltage Emergency Module with Remote Test Switch ⁽⁷⁾ ETRD =Emergency transfer device ⁽³²⁾ WPST =Factory installed Wavelinx (includes control module, sensor, cable, tile mount and ceiling mount sensor) ^{(11) (13)} WLST =Factory installed Wavelinx Lite Sensor Kit ^{(11) (12)}
---	--

Continued on next page.

Multi-line Order Information

SAMPLE ORDER NUMBER: **EU6C10209035**

Domestic Preferences ⁽¹⁾	Power Module	Lumen Levels ⁽²⁾	CRI ⁽²⁾	Color	
[Blank]=Standard BAA=Buy American Act TAA=Trade Agreements Act	EU6C=6-inch Universal LED Module	<p>For use with one driver</p> <p>0208IC=250, 500, 800 lumens, IC Rated (for use with all drivers, min 500 lumen with DE010 and D5LT, min 800 lumens with DLVP, Lutron and DMX)</p> <p>1025= 1000, 1500, 2000, 2500 lumens</p> <p>1015IC=1000, 1500 lumens IC Rated</p> <p>3040=3000, 3500, 4000 lumens (For use with Lutron 3000-3500, DLVP 3000 lumens, DMX, D010, D010TR, D5LT and DE010 3000-4000)</p> <p>4560=4500, 5000, 5500, 6000 lumens (For use with DMX and D010TR 4500 lumens, D010, D5LT and DE010 4500-6000) ⁽³⁾</p> <p>6570=6500, 7000 lumens (For use with D010, D5LT and DE010) ⁽³⁾</p> <p>For use with two drivers</p> <p>4080=4000, 4500, 5000, 5500, 6000, 6500, 7000, 75000, 8000 lumens (For use with Lutron 4000-7500, D010TR & DMX 5000-8000, D010, D5LT & DE010 7500-8000 lumen) ⁽³⁾</p> <p>90120=9000, 10000, 11000, 12000 lumens (D010, D5LT, DE010 to 9000-12,000 lumens, DMX and D010TR 9000 lumens) ⁽³⁾</p> <p>For use with three drivers</p> <p>130150=13,000, 15000 lumens (D010, DE010, D5LT, 13,000-15,000 lumens, D010TR and DMX 13,000 lumens) ⁽³⁾</p>	<p>90=90 CRI Minimum</p> <p>97=97 CRI Minimum</p>	<p>90 CRI</p> <p>24=2400K</p> <p>27=2700K</p> <p>30=3000K</p> <p>35=3500K</p> <p>40=4000K</p> <p>50=5000K</p>	<p>97 CRI</p> <p>27=2700K</p> <p>30=3000K</p>

SAMPLE ORDER NUMBER: **6LBM2H**

Domestic Preferences ⁽¹⁾	Trim	Reflector	Flange	Finish	Options	
[Blank]=Standard TAA=Trade Agreements Act ⁽¹⁵⁾	6LB=6-inch LED	<p>N=Narrow, Spun Aluminum ⁽²⁹⁾</p> <p>M=50° Cutoff, Medium Beam Reflector, Spun Aluminum</p> <p>MD=45° Cutoff, Medium Beam Reflector, Spun Aluminum</p> <p>W=Wide, Spun Aluminum</p> <p>S=Shallow, Spun Aluminum</p> <p>HY=Hyperbolic medium beam ⁽²⁹⁾</p> <p>PS=Non-Conductive Shallow, Injection Molded white ^{(16) (17)}</p> <p>CS=Cast Shallow, Die Cast Aluminum</p> <p>BA= Spun Aluminum Baffle ⁽²⁴⁾</p>	<p>Wall Wash</p> <p>SWN=Single wall wash, spun aluminum</p> <p>DWN=Double wall wash, spun aluminum</p> <p>CW=Corner wall wash, spun aluminum</p> <p>LSWW=Lensed single wall wash, spun aluminum</p> <p>LDWW=Lensed double wall wash, spun aluminum</p>	<p>0=White polymer trim ring</p> <p>1=Self flanged ⁽¹⁸⁾</p> <p>2=White painted self flanged</p> <p>4=Knife edge rimless use with die cast only ⁽¹⁹⁾</p>	<p>LI=Specular Clear ⁽²⁰⁾</p> <p>H=Semi-Specular Clear ⁽²⁰⁾</p> <p>WMH=Warm Haze ⁽²⁰⁾</p> <p>WH=Wheat ⁽²⁰⁾</p> <p>GPH=Graphite Haze ⁽²⁰⁾</p> <p>B=Specular Black ⁽²⁰⁾</p> <p>MW=Matte White</p> <p>MB=Matte Black ⁽²¹⁾</p> <p>MMS=Matte Metallic Silver ⁽²¹⁾</p>	<p>E=Integral Emergency Test Switch Hole ⁽²²⁾</p>

REQUIRED if Remote Driver (R) is specified

SAMPLE ORDER NUMBER: **RC10010D010TREM7**

Domestic Preferences ⁽¹⁾	Remote Drivers	Lumens ^{(2) (14)}		
[Blank]=Standard TAA=Trade Agreements Act	<p>RC100=Remote 100ft</p> <p>RC75=Remote 75ft</p> <p>RC50=Remote 50ft</p> <p>RC25=Remote 25ft</p> <p>RC15=Remote 15ft</p> <p>RC5=Remote 5ft</p> <p>RC2=Remote 2ft</p>	<p>02=250 lumens</p> <p>05=500 lumens</p> <p>08=800 lumens</p> <p>10=1000 lumens</p> <p>15=1500 lumens</p>	<p>20=2000 lumens</p> <p>25=2500 lumens</p> <p>30=3000 lumens</p> <p>35=3500 lumens</p> <p>40=4000 lumens</p> <p>45=4500 lumens</p>	<p>50=5000 lumens</p> <p>55=5500 lumens</p> <p>60=6000 lumens</p> <p>65=6500 lumens</p> <p>70=7000 lumens</p>

Continued on next page.

Multi-line Order Information

Driver
<p>D010 = 0-10V Dimming, 1% to 100%, 120V-277V, 250-3000 lumens 1D010 = 0-10V Dimming, 1% to 100%, 120V, 3500-7000 lumens 2D010 = 0-10V Dimming, 1% to 100%, 277V, 3500-7000 lumens 3D010 = 0-10V Dimming, 1% to 100%, 347V dedicated drivers for 800 to 3000 lumens; 250, 500, 3500-7000 lumens use step down transformer</p>
<p>D010TR = 0-10V Dimming, 5% to 100%, 120V-277V, 250- 3000 lumens 1D010TR = 0-10V Dimming, 5% to 100%, 120V, 3500-4500 lumens 2D010TR = 0-10V Dimming, 5% to 100%, 277V, 3500-4500 lumens 3D010TR = 0-10V Dimming, 5% to 100% 347V step down transformer, 250-4500 lumens</p>
<p>DE010 = 0-10V Dimming, 0% to 100%, 120V-277V, 500-3000 lumens 1DE010 = 0-10V Dimming, 0% to 100%, 120V, 3500-7,000 lumens 2DE010 = 0-10V Dimming, 0% to 100%, 277V, 3500-7,000 lumens 3DE010 = 0-10V Dimming, 0% to 100%, 347V step down transformer, 500-7,000 lumens</p>
<p>D5LT = Fifth Light® (DALI T6) Logarithmic Dimming, 0% to 100%, 120V-277V, 500-3000 lumens 1D5LT = Fifth Light® (DALI T6) Logarithmic Dimming, 0% to 100%, 120V, 3500-7,000 lumens 2D5LT =Fifth Light® (DALI T6) Logarithmic Dimming, 0% to 100%, 277V, 3500-7,000 lumens 3D5LT =Fifth Light® (DALI T6) Logarithmic Dimming, 0% to 100% 347V step down transformer, 500-7,000 lumens</p>
<p>DMX = DMX/RDM Logarithmic Dimming, 0% to 100%, 120V-277V, 800-3000 lumens ⁽⁵⁾ 1DMX=DMX/RDM Logarithmic Dimming, 0% to 100%, 120V, 3500-4500 ⁽⁵⁾ 2DMX=DMX/RDM Logarithmic Dimming, 0% to 100%, 277V, 3500-4500 ⁽⁵⁾ 3DMX=DMX/RDM Logarithmic Dimming, 0% to 100%, 347V step down transformer, 800-4500 ⁽⁵⁾</p>
<p>DMXC5 = DMX/RDM Logarithmic Dimming, 0% to 100%, 120V-277V up to 800-3000 lumens, RJ45 Connection ⁽⁵⁾ 1DMXC5=DMX/RDM Logarithmic Dimming, 0% to 100%, 120V, 3500-4500 lumens, RJ45 Connection ⁽⁵⁾ 2DMXC5=DMX/RDM Logarithmic Dimming, 0% to 100%, 277V, 3500-4500 lumens, RJ45 Connection ⁽⁵⁾ 3DMXC5=DMX/RDM Logarithmic Dimming, 0% to 100%, 347V step down transformer, 800-4500 lumens, RJ45 Connection ⁽⁵⁾</p>
<p>DL2=Lutron® Hi-Lume Forward Phase Dimming, 1% to 100%, 120V Only, 25' Max remote length, 800-3500 lumens 3DL2 = Lutron® Hi-Lume Forward Phase Dimming, 1% to 100%, 347V step down transformer, 25' Max remote length, 800-3500 lumens</p>
<p>DLE = Lutron Ecosystem dimming 1% to 100%, 120V-277V, 25' Max remote length, 800-3000 lumens 1DLE=Lutron Ecosystem dimming 1% to 100%, 120V, 25' Max remote length, 3500 lumens 2DLE=Lutron Ecosystem dimming 1% to 100%, 277V, 25' Max remote length, 3500 lumens 3DLE=Lutron Ecosystem dimming 1% to 100%, 347V, step down transformer, 25' Max remote length, 800-3500 lumens</p>
<p>DLV = Low voltage dimming driver (1-100%) for use with DLVP system, 800-3000 lumens ⁽⁶⁾</p>

Options ^{(6) (30) (31)}	Controls
<p>EMBOD=Bodine® Emergency Module with Remote Test Switch ⁽¹⁰⁾ EMBOD6ST=Bodine® 6W Self Test Emergency Module with Remote Test Switch EM7=7W Emergency Module with Remote Test Switch EM14=14W Emergency Module with Remote Test Switch</p>	<p>WPST=Factory installed Wavelinx (includes control module, sensor, cable, tile mount and ceiling mount sensor) ⁽¹¹⁾⁽¹³⁾ WLST=Factory installed WaveLinX Lite Sensor Kit ⁽¹¹⁾⁽¹²⁾</p>
<p>EMBOD7ST=Bodine® Self Test Emergency Module with Remote Test Switch ⁽¹⁰⁾ EMV7=7W Low Voltage Emergency Module with Remote Test Switch ⁽⁷⁾ EMV14=14W Low Voltage Emergency Module with Remote Test Switch ⁽⁷⁾ ETRD=Emergency transfer device ⁽²²⁾</p>	

Accessories (Order separately) ⁽²⁵⁾		
<p>TRM6P=White metal trim ring ⁽²⁶⁾ LGSKT6IP66=IP66 Gasket Kit DT6RF=6 inch frosted acrylic ring ⁽²⁸⁾</p> <p>PRR6=Rimless Plaster Ring ⁽²⁶⁾ RKP6=Knife Edge plaster Ring ⁽²⁷⁾</p> <p>RPM6MW=Rimless Millwork Ring, Matte White ⁽²⁶⁾ RPM6MB=Rimless Millwork Ring, Matte Black ⁽²⁶⁾ RKM6MW=Knife Edge Millwork Ring, Matte White ⁽²⁷⁾ RKM6MB=Knife Edge Millwork Ring, Matte Black ⁽²⁷⁾</p>	<p>Connected Lighting Systems ^{(6) (11)} WPST = Field installed WaveLinX sensor Kit ⁽¹³⁾ WLST = Field installed WaveLinX Lite Sensor Kit ⁽¹²⁾</p> <p>Transformers H347=H347 for 5500 lumens and below H347200=347 to 120V Step Down Transformer, 200VA</p>	<p>Bar Hangers BAA-HB26=C-channel Bar Hanger, 26" Long, Pair ⁽¹⁾ TAA-HB26=C-channel Bar Hanger, 26" Long, Pair ⁽¹⁾ HB26=C-channel Bar Hanger, 26" Long, Pair HB50=C-channel Bar Hanger, 50" Long, Pair RMB22=Wood Joist Bar Hanger, 22" Long, Pair</p>

- Notes:**
- Only product configurations with these designated prefixes are built to be compliant with the Buy American Act of 1933 (BAA) or Trade Agreements Act of 1979 (TAA), respectively. Please refer to [DOMESTIC PREFERENCES](#) website for more information. Components shipped separately may be separately analysed under domestic preference requirements. Offered with spun aluminum narrow (N), medium (M) and wide (W) trims.
 - Nominal Lumens will vary depending on selected color, CRI, driver and reflector finish. Reference [Multiplier tables](#).
 - Product is marked spacing. [Reference table on page 4 for the spacing details](#).
 - DMX fixtures default to full on upon loss of DMX signal.
 - Not available with Chicago Plenum.
 - ULus listed only
 - Offered with
 - D010, D5LT, DE010 up to 7000 lumens
 - D010TR, DMX up to 4500 lumens
 - DLE, DL2 up to 3500 lumens
 - Not available with 5500 lumens
 - Not available for 6500-7000 lumens
 - Refer to system specifications for additional information, features, and benefits. Order either factory installed option or accessory. Use with 0-10V driver.
 - WLST = WaveLinX Lite tile mount sensor kit for daylight dimming, PIR motion sensing, use with D010 only (Refer to WaveLinX Lite system specifications)
 - WPST = WaveLinX wireless sensor kit for daylight dimming, PIR motion sensing, and optional RLTS - Real Time Location Services, use with 0-10V only.
 - IC rated up to 3000 lumens
 - Spun aluminum only
 - PS available in self-flanged MW finish only
 - Offered up to 2000 lumens
 - Flange is the same finish as the reflector
 - Requires knife edge accessory ring
 - Anodized or spun reflectors
 - Die cast only
 - Available with narrow (N), medium (M) and medium 45 degree (MD) Spun Aluminum trims. Required for use with all IEMBOD, IEM7, IEM14, IEMV7 and IEMV14 housings. Not offered with remote driver.
 - Offered with DLVP up to 3000 lumens.
 - Accessories sold separately will be separately analyzed under domestic preference requirements. Consult factory for further information.
 - Order trim with polymer trim ring (Consult specification sheet for color ordering information and options).
 - Order die cast trim with flange type 4
 - Order with self flanged trim.
 - Use only with single LED/driver.
 - If using remote driver order battery and controls with the remote driver.
 - 120-277V
 - Used to bypass local control during outage. Must be used in conjunction with UL 1008 device (provided by others)

Connected Systems

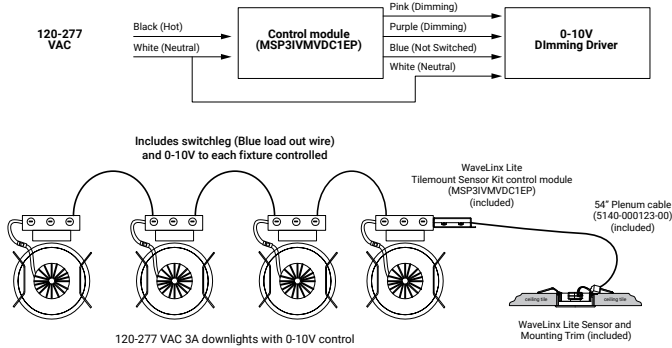
WaveLinx Lite - WLST Tilemount Sensor



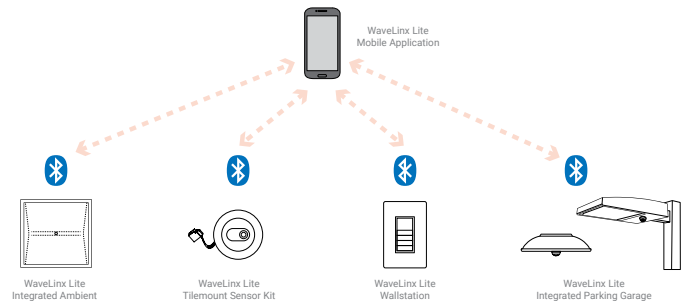
- Intuitive Android™ or Apple® iOS® app for basic system code compliant set up and configuration via Bluetooth
- Up to 28 unique areas per project site (WaveLinx Lite Bluetooth network)
- Up to 50 devices for an area, any one of 16 control zones, up to 6 occupancy sets, and custom lighting scenes
- Automatic occupancy or vacancy, sensor sensitivity, daylight dimming, etc. configurable through the app
- Refer to the WaveLinx system specifications for details



WaveLinx Lite WLST Tilemount Wiring Diagram



WaveLinx Lite Bluetooth Enabled System



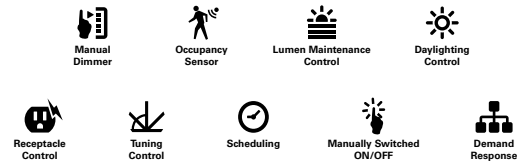
WaveLinx Wireless – WPST Tilemount Sensor



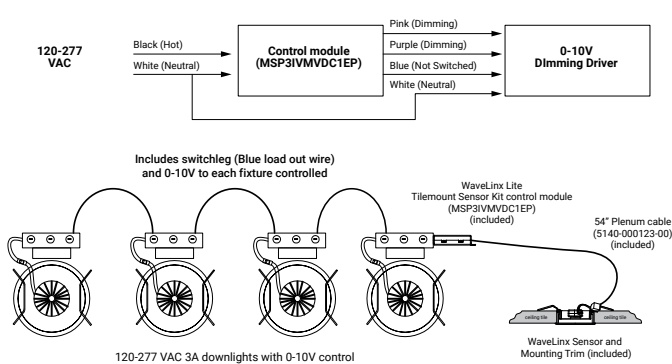
- WaveLinx Wireless functionality configures zones and customizes settings from one secure mobile app
- Automatic code commissioning that meets the strictest codes
- Fixtures and sensors integrate with Wireless Area Controller, Wall Stations, and Control Devices
- Stand-Alone Offices or Entire Building Network Installations



WaveLinx mobile app settings



WaveLinx Lite WPST Tilemount Wiring Diagram



WaveLinx Wireless Trellix Building Management Integration

