

DESCRIPTION

Showerlight trim with gasketed non-conductive corrosion-resistant polymer trim ring. Drop dome frosted glass lens.

Catalog #		Type
Project		
Comments		Date
Prepared by		

SPECIFICATION FEATURES

Torsion springs pull trim tight to ceiling. Straight sided trim ring coordinates with Halo small aperture trims.

Lamp Listings - Incandescent

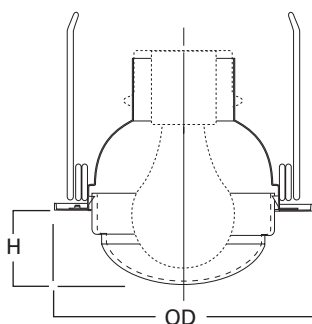
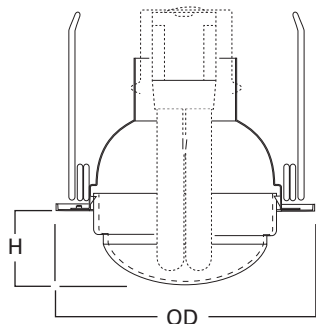
H51CAT	40W A19, 50W PAR30
H5RICAT	
H251CAT	40W A19, 50W PAR30
H5T	75W A19, 75W PAR30
H5RT	

Lamp Listings - GU24

H524ICAT	CF15/R30/GU24
H524ICATL	
H524RICAT	CF13/GU24 (spiral)
H524RICATL	

Lamp Listings - CFL (4-Pin)

H513IC	13W DTT, 13W TTT Compact Fluorescent Lamp
H570ICAT	13W DTT, 13W TTT Compact Fluorescent Lamp
H570RICAT	
H571ICAT	18W DTT, 18W TTT Compact Fluorescent Lamp
H571RICAT	
H572ICAT	26W DTT, 26W TTT Compact Fluorescent Lamp
H572RICAT	
H573ICAT1D	
H573RICAT1D	



H5T-5050
75W A19
1190 Lumens

Dia	FC	Work Plane
5'6"	2.4	12'6"
6'6"	2.0	13'6"
8'0"	1.5	14'0"
10'0"	1.1	17'0"
12'0"	0.8	19'6"

Test No. H35159
Work Plan is 2-1/2' above floor
Dia of circle is 50% of max footcandles directly under fixture

Height: 1-1/8" [28mm]
Outside Diameter: 6-3/8" [162mm]



5054PS
White Trim, Dome Diffuser



5054SNS
Satin Nickel Trim, Dome Diffuser



5054TBZS
Tuscan Bronze Trim, Dome Diffuser

5054

5-Inch Dome Diffuser Showerlight



ORDERING INFORMATION

Trim	Finish	Listing	Accessories
<input type="text"/>	<input type="text"/>	<input type="text"/>	<input type="text"/>
5054 = 5" Dome Lens Showerlight Trim	P = White trim ring with dome lens SN = Satin nickel trim ring with dome lens TBZ = Tuscan bronze trim ring with dome lens	S = Wet location listed Showerlight	OT500P = 5" Oversize trim ring - white