

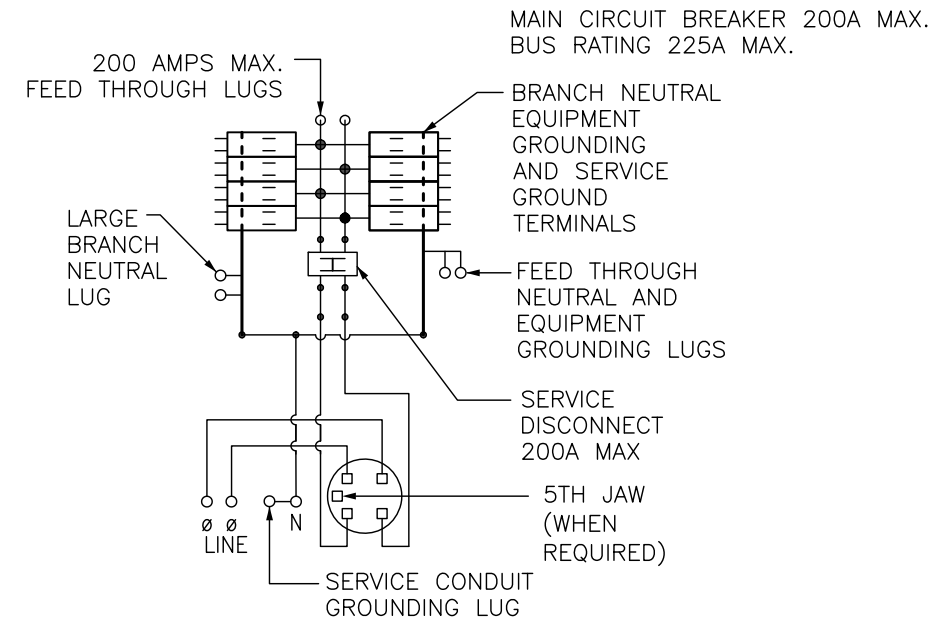
NOTES:
 FINISH - GRAY BAKED ENAMEL
 POWER COAT PAINT OVER CLEANED GALVANNEALED STEEL.
 MAXIMUM SYSTEM VOLTAGE: 120/240VAC, 1Ø3W
 UL LISTED - FILE E-6294.
 MEETS EUSERC SPECIFICATIONS.
 SUITABLE FOR UNDERGROUND/OVERHEAD SERVICE.
 * ORDER TUNNEL KIT SEPERATELY (SCTKP20) FOR OH SERVICE.
 IF THE OVERHEAD TUNNEL KIT IS INSTALLED, SEE BRANCH BREAKER TABLE ON THIS DRAWING

BRANCH BREAKER TABLE

SEE BRANCH BREAKERS FOR BRANCH WIRE RATINGS

CIRCUIT BREAKER LOAD CONDUCTORS	MAX WIRE (AWG/kcmil)	MAX CIRCUIT BREAKER
LEFT SIDE WITHOUT TUNNEL	300 CU/AL	200A
LEFT SIDE WITH TUNNEL	#2 CU #2 AL	100A 90A
RIGHT SIDE	#2 CU #2 AL	100A 90A

SYMBOL	KNOCKOUTS	
	CONDUIT SIZE IN	CONDUIT SIZE MM
A	.50	13
B	.75	19
C	1.00	25
D	1.25	32
E	1.50	38
F	2.00	51
G	2.25	64
H	3.00	76



● TWO SINGLE POLE, ONE PLUG-ON SPACE TYPE HOMT OR ONE SINGLE POLE TYPE HOM OR HOMP. TWO POLE TYPE HOM OR HOMT (15-100A) MAY PLUG ON TWO ADJACENT SPACES. TWO POLE TYPE HOMA ((*)150-200A) MAY PLUG ON FOUR ADJACENT SPACES. **USE 15-100A AND (*)150-200A BRANCH BREAKERS ONLY.** TOTAL CIRCUIT BREAKER HANDLE RATING NOT TO EXCEED 130A PER BRANCH CIRCUIT CONNECTOR.

A SQUARE D UL LISTED SECONDARY SURGE ARRESTER MAY PLUG ON TWO ADJACENT SPACES.
 ORDER CATALOG NO. HOM2175SB

SC816F200PF

DUAL DIMENSIONS: INCHES
 MILLIMETERS

AMPERE RATING	BUS RATING (AMPS)	FACTORY INSTALLED BYPASS TYPE	SHORT CIRCUIT CURRENT RATING	CATALOG NUMBER	SERIES	SPACES	MAXIMUM NUMBER OF SINGLE POLE HOM CIRCUITS	LINE SIDE PHASE & NEUTRAL LUGS (AWG/KCMIL)	FEED THRU LUGS PHASE & NEUTRAL (AWG/KCMIL)	LARGE BRANCH NEUTRAL AWG
200	225	NONE	22K	SC816F200PF	M01	8	16	#4-250 CU/AL	#6-250 CU/AL	#14-#4CU #12-#2AL

COMBINATION SERVICE ENTRANCE DEVICES
 RING TYPE
 RAINPROOF NEMA TYPE 3R ENCLOSURE
 SEMIFLUSH ONLY



DWG# PWFDS-SYRS-0084
 NO.