

Project: _____ Type: _____ Prepared By: _____ Date: _____



Features and Benefits

- Energy efficient replacement for incandescent and halogen PAR lamps
- Constructed from durable materials which lowers risk of breakage
- Rated for use in enclosed and open fixtures in wet locations
- Single optic and full face lens for precise beam angle control
- Longer lifespan compared to legacy equivalents minimizes replacement and maintenance costs
- ENERGY STAR Compliant, UL Listed
- Dimmable down to 20% (check dimmer compatibility list)

Technical Specifications		
<p>Performance</p> <hr/> <p>Product Type: PAR</p> <p>Input Wattage: 15W</p> <p>Lumens (Nominal): 1050lm</p> <p>Efficacy: 70 lm/W</p> <p>Color Accuracy (CRI): 80 CRI</p> <p>L70 Lifespan: 25,000 Hours</p>	<p>Dimmable: Yes, down to 20%</p> <p>Construction</p> <hr/> <p>Bulb Shape: PAR38</p> <p>Base Type: E26</p> <p>Beam Angle: 40°</p> <p>For Use Outdoors in Open Fixtures: Yes</p> <p>LED Characteristics</p> <hr/> <p>Color Temperature: 3000K Warm White</p>	<p>Electrical</p> <hr/> <p>Power Factor: 0.7</p> <p>Operating Temperature: -20°C - 45°C</p> <p>Input Voltage: 120V</p> <p>Other</p> <hr/> <p>Warranty (Years): RAB warrants that our LED products will be free from defects in materials and workmanship for a period of four (4) years from the date of delivery to the end user, including coverage of light output, color stability, driver performance and fixture finish. RAB's warranty is subject to all terms and conditions found at rablighting.com/warranty.</p> <p>Electrical Characteristics</p> <hr/> <p>Flicker: <30%</p>

Technical Specifications (continued)

Compliance

UL Listed:

Yes

ENERGY STAR V2.0:

This product is ENERGY STAR® Version 2.0 Certified

Energy Star ID:

2330084

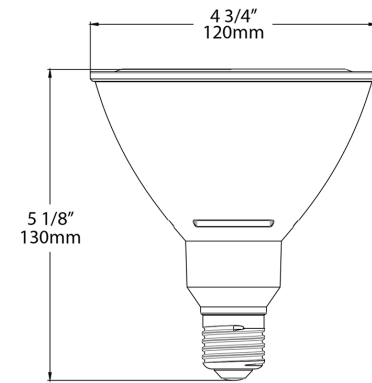
CEC Status:

Not lawful for sale in California

Case and Pallet Dimensions

	QTY	LENGTH (in)	WIDTH (in)	HEIGHT (in)
CASE	6	15.1	10.2	6.1
PALLET	360	45.4	35.5	48.5

Dimension



Light Distribution

