



Project:	Type:
Prepared By:	Date:

Driver Info		LED Info	
Type	Constant Current	Watts	8W
120V	0.115A	Color Temp	2700K (Residential Warm)
208V	N/A	Color Accuracy	90 CRI
240V	N/A	L70 Lifespan	50,000 Hours
277V	N/A	Lumens	618
Input Watts	8W	Efficacy	75

Technical Specifications

Compliance

UL Listed:

Suitable for wet locations

ENERGY STAR V2.2:

This product is ENERGY STAR® Version 2.2 Certified.

Energy Star Model Number:

DLG0004

NEC Compliant:

Suitable for use in closets. Compliant with NEC Sec. 410.16 (A)(1) and 410.16 (C5).

California Title 24:

Can be used to conform with the requirements of California Title 24 Part 6.

Electrical

Dimming Driver:

TRIAC compatible dimmer with dimming as low as 5%. [See dimmer compatibility guide here.](#)

Power Factor:

≥0.9

Remote Driver:

Die-cast metal driver / junction box with a hinged cover.

Listed for 12AWG and 14AWG conduit. Includes two metal knockouts for wiring.

Quick connectors included.

Plenum rated cable connector to connect from module to remote driver box.

PF:

≥0.9

Input Voltage:

120V

Operating Frequency (Hz):

60Hz

Performance

Lifespan:

50,000-Hour LED lifespan based on IES LM-80 results and TM-21 calculations

Construction

IC Rated:

Suitable for direct contact with insulation.

Type IC inherently protected, suitable for direct contact to air permeable insulation and cULus listed for damp locations.

Not for use in direct contact with spray foam insulation, consult NEMA LSD57-2013.

Not for use in direct contact with spray foam insulation, consult NEMA LSD57-2013.

Air Tight:

Housing certified Air Tight as per ASTM E283

Technical Specifications (continued)

Construction

Housing:

Precision die-cast aluminum

Aperture:

3" Round

Adjustable Lens:

With a 30° tilt and can rotate 360°

Trim Style:

Smooth Trim

Cold Weather Starting:

The minimum starting temperature is -30°C (-22°F)

Maximum Ambient Temperature:

Suitable for use in up to 35°C (95°F)

Green Technology:

Mercury and UV free. RoHS-compliant components.

Mounting:

Robust retention clips spring loaded tabs ensure the fixture is securely installed. Can be installed in 1/4" to 1 1/2" thick ceilings.

Lens:

Diffuse Polystyrene lens produces smooth uniform light that is glare free

Finish:

Matte White

Optical

Beam Angle:

38° narrow beam spread for accent lighting

LED Characteristics

LEDs:

Long-life, high-efficacy, surface-mount LEDs

R9 Value:

High color performance with R9 greater than or equal to 50

Flicker:

Silent and flicker free operations of less than 30%

Other

Wattage Equivalency:

60W Incandescent

Template:

Template included for easy ceiling cut out

Warranty:

RAB warrants that our LED products will be free from defects in materials and workmanship for a period of five (5) years from the date of delivery to the end user, including coverage of light output, color stability, driver performance and fixture finish. RAB's warranty is subject to all terms and conditions found at rablighting.com/warranty.

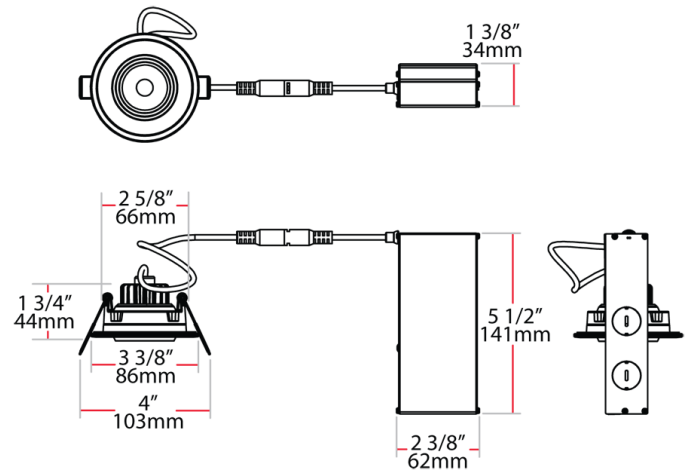
Buy American Act Compliance:

RAB values USA manufacturing! Upon request, RAB may be able to manufacture this product to be compliant with the Buy American Act (BAA). Please contact customer service to request a quote for the product to be made BAA compliant.

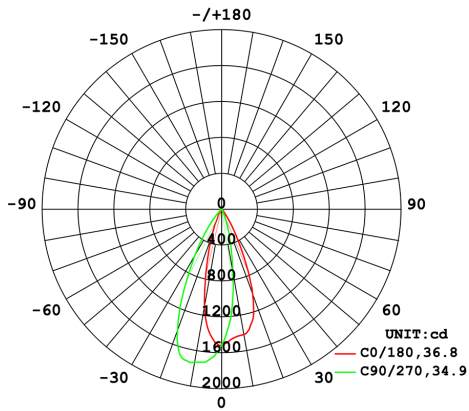
Case and Pallet Dimensions

	QTY	LENGTH (in)	WIDTH (in)	HEIGHT (in)
CASE	6	10.43	9.84	5.71
PALLET	768	5	5	46.85

Dimension



Light Distribution



Features

- Adjustable lens with 32 degree tilt and 360 degree rotation
- No recessed housing or J-box required
- New construction or retrofit applications
- UL wet location rated
- Spring loaded retention clips
- Robust, die cast aluminum construction
- IC and airtight rated
- 5-Year, No-Compromise Warranty

Ordering Matrix

Family	Size	Shape	Wattage	CRI/Color Temp	Voltage	Finish
G	3	R	8	927	120	W
	2 = 2"	R = Round	5 = 400lm	940 = 90 CRI, 4000K Neutral	120 = 120V	W = White
	3 = 3"		8 = 600lm	930 = 90 CRI, 3000K Warm		
	4 = 4"		14 = 1050lm	927 = 90 CRI, 2700K Residential Warm		