



No Gateway or Hub required. These Bluetooth-enabled lamps can be wirelessly controlled via a mobile phone for On/Off, Dimming, Color Temperature, Scenes, Schedules and SmartShift. Choose between 16+ million different colors including tunable white.

Color: White

Weight: 0.1 lbs

Project:	Type:
Prepared By:	Date:

Driver Info		LED Info	
Type	Constant Current	Watts	8W
120V	.075A		Tunable White
208V	N/A	Color Temp	2200K-6500K (16+ million colors)
240V	N/A		
277V	N/A	Color Accuracy	90 CRI
Input Watts	8W	L70 Lifespan	27,000 Hours
		Lumens	800 lm
		Efficacy	100

Technical Specifications

Lightcloud

Lightcloud Blue:

Lightcloud Blue is a Bluetooth mesh wireless lighting control system that allows you to control RAB's various compatible devices. With RAB's patent-pending Rapid Provisioning technology, devices can be quickly and easily commissioned for residential and large commercial applications using the Lightcloud Blue mobile app. Each device in a system can communicate with any other device, eliminating the need for a Gateway or Hub and maximizing the control system's reach.

[Learn more at www.lightcloud.com](http://www.lightcloud.com)

Gateway Required:

No

Communication Protocol:

Bluetooth Mesh

SmartShift:

SmartShift is the most advanced - yet easiest to use - circadian lighting system, which syncs white color tuning with the local sunrise and sunset.

Range:

Up to 60 feet between standard building materials.
Up to 200 feet clear line of sight.

Performance

Product Type:

A-Line

Input Wattage:

8W

Lumens (Nominal):

800lm

Efficacy:

100lm/W

L70 Lifespan:

25,000-Hour LED lifespan based on IES LM-70 results

Wattage Equivalency:

Equivalent to 60W Incandescent

Electrical

Power Factor:

≥0.9

Dimmable:

Yes via the Lightcloud Blue mobile app and devices

Input Voltage:

120V

Operating Frequency:

60Hz

Operating Temperature:

-4°F to 113°F (-20°C to 45°C)

Flicker:

<30%

Color Temperature:

Tunable White 2200K - 6500K (16+ million colors)

LED Characteristics

Color Accuracy (CRI):

>90 CRI

R9 Value:

High color performance with R9 no less than 0

Color Consistency:

<4-step MacAdam Ellipse binning to achieve consistent fixture-to-fixture color

Construction

Base Type:

E26 Edison

Finish:

White

Bulb Shape:

A19

Enclosure Material:

Plastic package aluminum

Technical Specifications (continued)**Lens:**

Frosted lens for smooth, evenly diffused illumination

Compliance**Listings:**

UL Listed

Environment:

Suitable for use in dry and damp environments

Fixture Rating:

Suitable for use in open and enclosed fixtures

Energy Star ID:

2401212

T20 Compliant:

Can be used to conform with the requirements of California Title 20

California Energy Commission (CEC) Status:

Lawful for Sales in California

RoHS:

Mercury and UV free. RoHS-compliant components.

FCC:

Complies with Part 15B of the FCC Rules

Other**Warranty:**

RAB warrants that our LED products will be free from defects in materials and workmanship for a period of three (3) years from the date of delivery to the end user, including coverage of light output, color stability, driver performance and fixture finish. RAB's warranty is subject to all terms and conditions found at rablighting.com/warranty.

Accessories:

LCBLUEREMOTE/W (Wireless Remote Control)
NANO/LCB(Nano Timekeeper & Web Access)
SENSE/PIR/W/LCB (Wireless Wall Sensor)

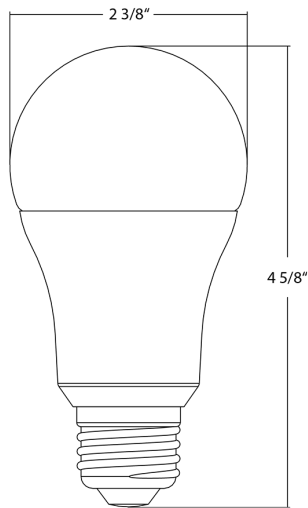
Note:

All values are typical (tolerance +/- 10%)

Buy American Act Compliance:

RAB values USA manufacturing! Upon request, RAB may be able to manufacture this product to be compliant with the Buy American Act (BAA). Please contact customer service to request a quote for the product to be made BAA compliant.

Dimensions



Features

- Replacement for legacy incandescent and halogen lamps
- Direct Connect to the Lightcloud Blue mobile app via Bluetooth, no Gateway or Hub required
- Use mobile device to configure features for On/Off Control, Dim Level, Color Temperature, Schedules, Scenes, SmartShift and more
- Choose between 16+ million colors to fit any mood
- Tunable White 2200-6500K with smooth transition between color temperatures

Ordering Matrix

Family	Wattage	Base Type	CRI/Color Temp	Voltage	SmartShift
LCBA19	9	E26	9RGB		SS
	9 = 8W	E26 = E26 Edison Base	9RGB = 90 CRI; Color Tuning 16+ million colors; Tunable White 2200K-6500K	Blank = 120V	SS = SmartShift