

Main

Range of Product	Harmony Electromechanical Relays
Product or Component Type	Socket
Contact terminal arrangement	Mixed
Product compatibility	Plug-in relay RPM 3 C/O
Shape of pin	Flat
Device short name	RPZF
Sale per indivisible quantity	10

Complementary

[Ith] conventional free air thermal current	16 A
[Ue] rated operational voltage	< 250 V
Tightening torque	< 1 N.m M3.5
Fixing mode	By screw panel) Clip-on 35 mm symmetrical DIN rail)
Marking	CE
Width	1.57 in (40 mm)
Net Weight	0.16 lb(US) (0.072 kg)

Environment

Connections - terminals	- screw clamp terminals, flexible with cable end 1 x 0.5...1 x 2.5 mm ² / AWG 20...AWG 14 - screw clamp terminals, solid without cable end 1 x 0.5...1 x 1.5 mm ² / AWG 20...AWG 16 - screw clamp terminals, flexible with cable end 2 x 0.5...2 x 2.5 mm ² / AWG 20...AWG 14 - screw clamp terminals, solid without cable end 2 x 0.5...2 x 1.5 mm ² / AWG 20...AWG 16
Standards	IEC 61984
Product Certifications	CSA UL
Ambient Air Temperature for Storage	-40...185 °F (-40...85 °C)
Ambient Air Temperature for Operation	-40...131 °F (-40...55 °C)
IP degree of protection	IP20 conforming to EN/IEC 60529
Dielectric strength	2500 V

Ordering and shipping details

Category	21128-ZELIO ICE CUBE RELAY ACCESSORIES
Discount Schedule	CP2
GTIN	3389119402309
Nbr. of units in pkg.	1
Package weight(Lbs)	2.72 oz (77.0 g)
Returnability	Yes
Country of origin	TW

Packing Units

Unit Type of Package 1	PCE
Package 1 Height	1.18 in (3 cm)
Package 1 width	1.57 in (4 cm)
Package 1 Length	3.35 in (8.5 cm)
Unit Type of Package 2	BB1
Number of Units in Package 2	10
Package 2 Weight	27.16 oz (770 g)
Package 2 Height	2.48 in (6.3 cm)
Package 2 width	4.72 in (12 cm)
Package 2 Length	7.95 in (20.2 cm)
Unit Type of Package 3	S03
Number of Units in Package 3	150
Package 3 Weight	27.45 lb(US) (12.45 kg)
Package 3 Height	11.81 in (30 cm)
Package 3 width	11.81 in (30 cm)
Package 3 Length	15.75 in (40 cm)

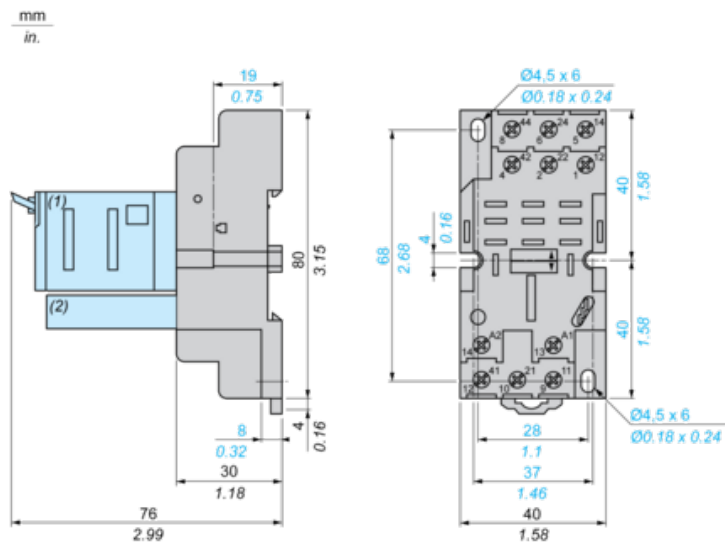
Offer Sustainability

Sustainable offer status	Green Premium product
California proposition 65	WARNING: This product can expose you to chemicals including: Nickel compounds, which is known to the State of California to cause cancer, and Di-isodecyl phthalate (DIDP), which is known to the State of California to cause birth defects or other reproductive harm. For more information go to www.P65Warnings.ca.gov
REACH Regulation	REACH Declaration
REACH free of SVHC	Yes
EU RoHS Directive	Pro-active compliance (Product out of EU RoHS legal scope) EU RoHS Declaration
Toxic heavy metal free	Yes
Mercury free	Yes
RoHS exemption information	Yes
China RoHS Regulation	China RoHS Declaration
Environmental Disclosure	Product Environmental Profile
WEEE	The product must be disposed on European Union markets following specific waste collection and never end up in rubbish bins.

Contractual warranty

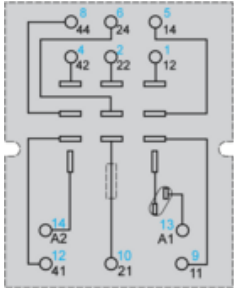
Warranty	18 months
----------	-----------

Dimensions



- (1) Relays
- (2) Protection module
- (3) Maintaining clamp

Wiring Diagram



Symbols shown in blue correspond to Nema marking.