



Die cast rectangular covers with one or three 1/2" threaded holes. Fits FS, cast and recessed single outlet boxes. Supplied with thick foam rubber gasket and two #6-32 stainless steel screws. 3 hole cover comes with one die cast 1/2" close-up plug.

Color: Black

Weight: 0.2 lbs

Project:	Type:
Prepared By:	Date:

Technical Specifications

Compliance

UL Listed:

Suitable for wet locations

Construction

Material:

Precision die cast aluminum rectangular covers

Screws:

6-32 Nickel Plated Brass

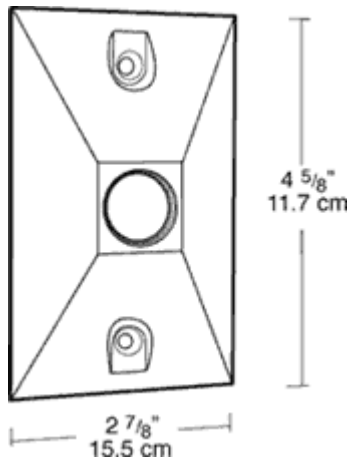
Hole Count:

3 Hole

Other

Buy American Act Compliance:

RAB values USA manufacturing! Upon request, RAB may be able to manufacture this product to be compliant with the Buy American Act (BAA). Please contact customer service to request a quote for the product to be made BAA compliant.

Dimensions**Features**

- Sturdy, clear cover for easy visibility
- Thick weather seal gaskets
- Mounting hardware supplied
- Close-up plugs allow Phillips or slotted screwdrivers for easy installation
- RAB's distinctive see-thru weatherproof packaging has all the information you need
- Clear PVC plastic turtle cover with lockable latch
- Smooth edged electrical cord slots