



MILBANK
ENERGY AT WORK

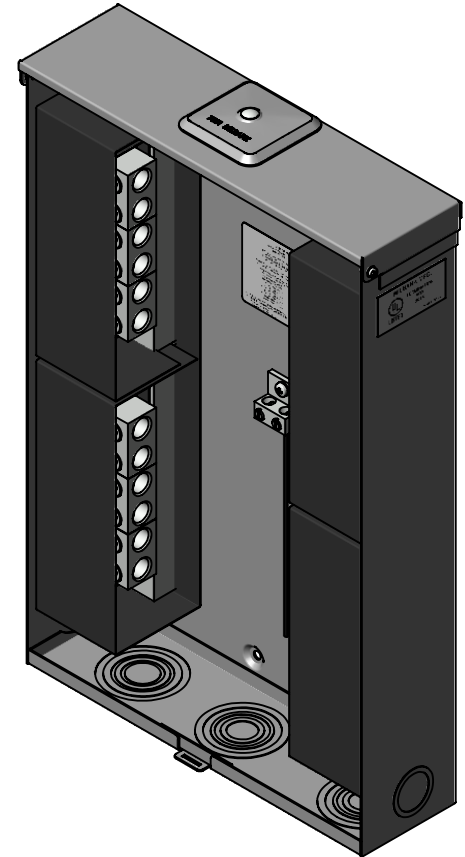
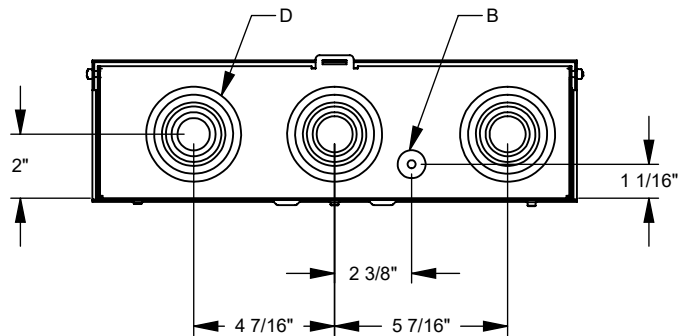
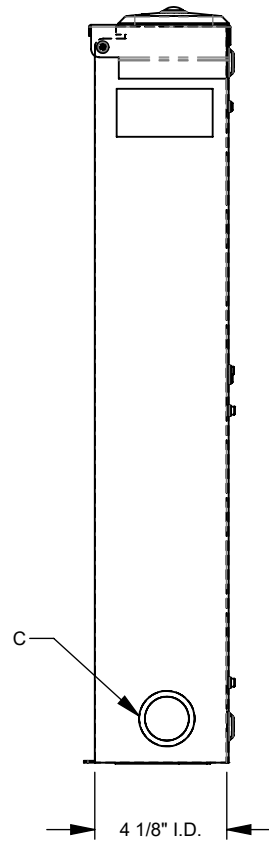
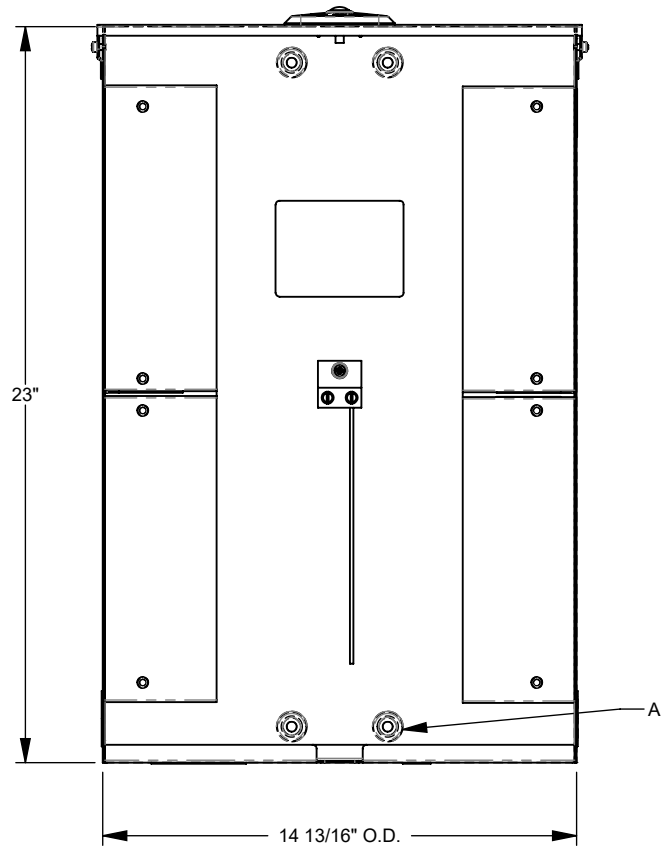
U4540-XL



Catalog Number	U4540-XL	Connection	6 AWG to 350 kcmil Line Side Lugs and 6 AWG to 350 kcmil Load Side Lugs
Marketing Product Description	200 Ampere 1phase 600 Volt 15in-23in-4in Painted Steel Lift Off Front Hasp 6 Lugs Per Landing 10k Short Circuit Current Rating	Construction	G90 Galvanized Steel
UPC	784572230569	Finish	Powder Coat Finish
Length (IN)	4.125	Number of Positions	1 Position
Width (IN)	14.813	Number of Phases	1
Height (IN)	23	Short Circuit Rating	10000 Ampere
Weight (LB)	24		
Brand Name	Milbank		
Type	Line to Load Distribution		
Application	Termination Cabinet		
Standard	UL Listed;Type 3R		
Number Of Conductors	6		
Conductor Material	Copper and Aluminum		
Size	4.125L x 14.813W x 23H		
Amperage Rating	Up to 200 Ampere		
Voltage Rating	Up to 600 Volts Alternating Current		
Temperature Rating	No Temperature Rating		
Insulation Material	Polypropylene		
Jacket Material	No Jacket Material		
Color	ANSI 61 Gray		

Please consult serving utility for their requirements prior to ordering or installing, as specifications and approvals vary by utility and may require local electrical inspector approval. All installations must be installed by a licensed electrician and must comply with all national and local codes, laws and regulations. Milbank reserves the right to make changes in specifications and features shown without notice or obligation.

FEATURE TABLE		
ITEM	QTY	DESCRIPTION
A	4	STD. MNTG. EMBOSS
B	1	¼, ½ CONC. K.O.
C	1	1, 1¼ CONC. K.O.
D	3	¾, 1, 1¼, 1½, 2, 2½ CONC. K.O.



Version:

1

All dimensions are +/- 1/16".
Drawing views are not to scale.

Please consult serving utility for their requirements prior to ordering or installing, as specifications and approvals vary by utility, and may require local electrical inspector approval. All installations must be installed by a licensed electrician and must comply with all national and local codes, laws and regulations. Milbank reserves the right to make changes in specifications and features shown without notice or obligation.