

# XPSUEP34AP

Safety module, Harmony Safety Automation, Cat.4, Expansion use with Universal range, 48-240v AC/DC, screw



## Main

|                           |  |
|---------------------------|--|
| Range of Product          | Harmony Safety Automation  |
| Product or Component Type | Safety module  |
| Safety module name        | XPSUEP   |
| Safety module application | For extending number of safety contacts  |
| Function of module        | Safety output extension  |
| Safety level              | Can reach PL e/category 4 for normally open relay contact ISO 13849-1<br>Can reach SILCL 3 for normally open relay contact IEC 62061<br>Can reach SIL 3 for normally open relay contact IEC 61508<br>Can reach PL c/category 1 for normally closed relay contact ISO 13849-1<br>Can reach SILCL 1 for normally closed relay contact IEC 62061<br>Can reach SIL 1 for normally closed relay contact IEC 61508   |
| Safety reliability data   | MTTFd > 30 years ISO 13849-1<br>Dcavg >= 99 % ISO 13849-1<br>PFHd = 1.61E-09 ISO 13849-1<br>HFT = 1 IEC 62061<br>PFHd = 1.61E-09 IEC 62061<br>SFF > 99% IEC 62061<br>HFT = 1 IEC 61508-1<br>PFHd = 1.61E-09 IEC 61508-1<br>SFF > 99% IEC 61508-1<br>Type = B IEC 61508-1   |
| Electrical circuit type   | Addition to Preventa XPSU base module  |
| Connections - terminals   | Removable screw terminal block, 0.2...2.5 mm <sup>2</sup> solid or flexible<br>Removable screw terminal block, 0.25...2.5 mm <sup>2</sup> flexible with ferrule single conductor<br>Removable screw terminal block, 0.2...1.5 mm <sup>2</sup> solid or flexible twin conductor<br>Removable screw terminal block, 2 x 0.25...1 mm <sup>2</sup> flexible with ferrule without cable end, with bezel<br>Removable screw terminal block, 2 x 0.5...1.5 mm <sup>2</sup> flexible with ferrule with cable end, with bezel |
| [Us] Rated Supply Voltage | 48...240 V AC/DC - 10...10 %   |

## Complementary

|                         |   |
|-------------------------|---|
| Power consumption in W  | 2 W 48 V DC   |
| Power consumption in VA | 6.5 VA 240 V AC 50/60 Hz  |
| Input protection type   | Internal, electronic  |
| Safety outputs          | 4 NO<br>2 NC  |
| Safety inputs           | 0   |
| Maximum line resistance | 60 Ohm  |
| Input compatibility     | Normally closed circuit ISO 14119<br>XC limit switch ISO 14119<br>Mechanical contact ISO 14119<br>Normally closed circuit ISO 13850<br>Antivalent pair ISO 14119<br>OSSD pair IEC 61496-1-2<br>3-wire proximity sensors PNP |

|   |   |
|---|---|
| [Ie] rated operational current              | 5 A AC-1<br>3 A AC-15<br>5 A DC-1<br>3 A DC-13  |
| [Ith] conventional free air thermal current | 8 A   |
| Associated fuse rating                      | 10 A gG NO relay output circuit IEC 60947-1<br>4 A gG NC relay output circuit IEC 60947-1 |
| Minimum output current                      | 10 mA relay output  |
| Minimum output voltage                      | 12 V relay output   |
| Maximum response time on input open         | 20 ms   |
| [Ui] rated insulation voltage               | 250 V 2)EN/IEC 60947-1  |
| [Uimp] rated impulse withstand voltage      | 4 kV II EN/IEC 60947-1  |
| Local signalling                            | For power ON LED (green)<br>For error LED (red)<br>For safety output status LED (yellow)  |
| Mounting Support                            | 35 mm symmetrical DIN rail  |
| Depth                                       | 4.72 in (120 mm)  |
| Height                                      | 3.94 in (100 mm)  |
| Width                                       | 0.89 in (22.5 mm)   |
| Net Weight                                  | 0.44 lb(US) (0.200 kg)  |

## Environment

|                                     |   |
|-------------------------------------|---|
| Standards                           | IEC 60947-5-1<br>IEC 61508-1 functional safety standard<br>IEC 61508-2 functional safety standard<br>IEC 61508-3 functional safety standard<br>IEC 61508-4 functional safety standard<br>IEC 61508-5 functional safety standard<br>IEC 61508-6 functional safety standard<br>IEC 61508-7 functional safety standard<br>ISO 13849-1 functional safety standard<br>IEC 62061 functional safety standard |
| Product Certifications              | TÜV<br>cULus  |
| IP degree of protection             | IP20 terminals)EN/IEC 60529<br>IP40 housing)EN/IEC 60529<br>IP54 mounting area)EN/IEC 60529   |
| Ambient Air Temperature for Storage | -13...185 °F (-25...85 °C)  |
| Relative Humidity                   | 5...95 % non-condensing   |

## Ordering and shipping details

|                       |                                 |
|-----------------------|---------------------------------|
| Category              | 22477-SAFETY MODULES (PREVENTA) |
| Discount Schedule     | SAF2                            |
| GTIN                  | 3606489601799                   |
| Nbr. of units in pkg. | 1                               |
| Package weight(Lbs)   | 10.58 oz (300.0 g)              |
| Returnability         | No                              |
| Country of origin     | ID                              |

## Packing Units

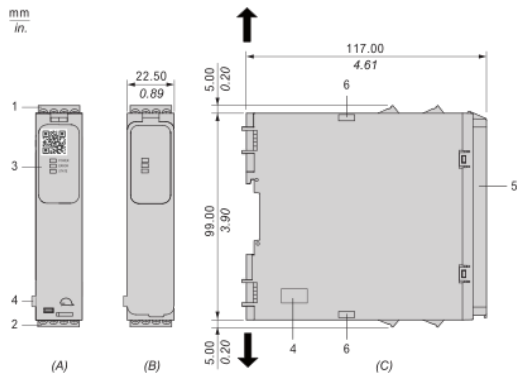
|                              |                        |
|------------------------------|------------------------|
| Unit Type of Package 1       | PCE                    |
| Package 1 Height             | 2.56 in (6.5 cm)       |
| Package 1 width              | 5.31 in (13.5 cm)      |
| Package 1 Length             | 6.10 in (15.5 cm)      |
| Unit Type of Package 2       | S03                    |
| Number of Units in Package 2 | 16                     |
| Package 2 Weight             | 12.48 lb(US) (5.66 kg) |
| Package 2 Height             | 11.81 in (30 cm)       |
| Package 2 width              | 11.81 in (30 cm)       |
| Package 2 Length             | 15.75 in (40 cm)       |
| Package 3 Height             | 11.81 in (30 cm)       |

## Offer Sustainability

|                            |   |
|----------------------------|---|
| Sustainable offer status   | Green Premium product   |
| California proposition 65  | WARNING: This product can expose you to chemicals including: Lead and lead compounds, which is known to the State of California to cause cancer and birth defects or other reproductive harm. For more information go to <a href="http://www.P65Warnings.ca.gov">www.P65Warnings.ca.gov</a> |
| REACH Regulation           | <a href="#">REACH Declaration</a>   |
| EU RoHS Directive          | Pro-active compliance (Product out of EU RoHS legal scope) <a href="#">EU RoHS Declaration</a>  |
| Mercury free               | Yes   |
| RoHS exemption information | <a href="#">Yes</a>   |
| China RoHS Regulation      | <a href="#">China RoHS Declaration</a>  |
| Environmental Disclosure   | <a href="#">Product Environmental Profile</a>   |
| Circularity Profile        | <a href="#">End Of Life Information</a>   |
| WEEE                       | The product must be disposed on European Union markets following specific waste collection and never end up in rubbish bins.  |
| PVC free                   | Yes   |

Dimensions

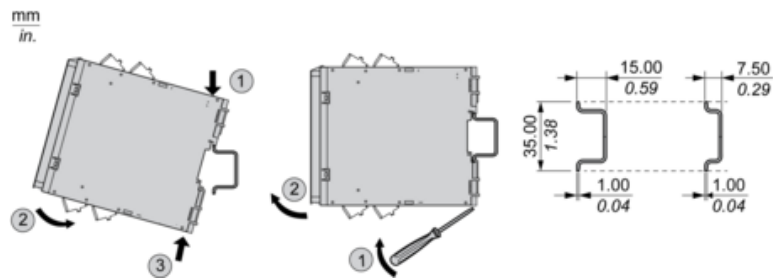
Front and Side Views



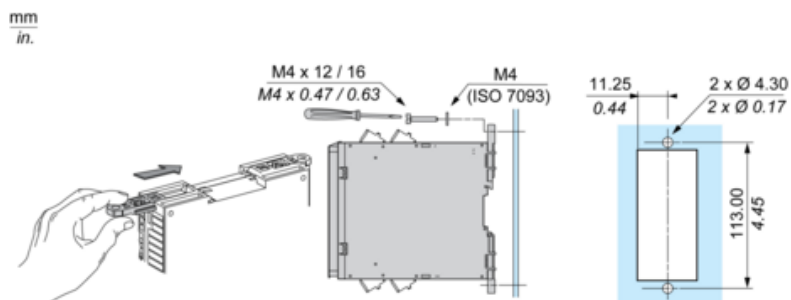
- (A) : Product drawing
- (B) : Screw clamp terminal
- (C) : Side view
- (1) : Removable terminal blocks, top
- (2) : Removable terminal blocks, bottom
- (3) : LED indicators
- (4) : Connector for base safety module
- (5) : Sealable transparent cover
- (6) : Position of clips for mounting to base safety module

|                 |                      |            |            |            |          |           |            |
|-----------------|----------------------|------------|------------|------------|----------|-----------|------------|
| mm<br>in.       | 7.0-8.0<br>0.28-0.31 |            |            |            |          |           |            |
| mm <sup>2</sup> |                      | 0,2... 2,5 | 0,25...2,5 | 0,2... 1,5 | 0,25...1 | 0,5...1,5 |            |
| AWG             |                      | 24... 12   | 24...12    | 24...16    | 24...18  | 20...16   |            |
|                 | Ø 3,5 mm (0.14 in)   |            |            |            |          | Nm        | 0.5... 0.6 |
|                 |                      |            |            |            |          | lb-in     | 4,4... 5,3 |

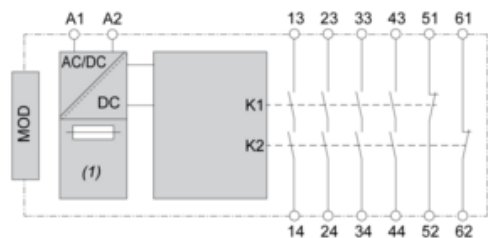
## Mounting to DIN rail



## Screw-mounting



## Wiring Drawing



(1) : A1-A2 (Power supply)

13-23-33-43-51-61-14-24-34-44-52-62 : Output

MOD : Connector for base safety module