



Now, more is less. Economical retrofit downlights with more to offer. Available in standard or adjustable heads.

Color: White

Weight: 0.7 lbs

Project:	Type:
Prepared By:	Date:

Driver Info		LED Info	
Type	Constant Current	Watts	11W
120V	0.093A	Color Temp	3000K (Warm)
208V	N/A	Color Accuracy	90 CRI
240V	N/A	L70 Lifespan	50,000 Hours
277V	N/A	Lumens	726
Input Watts	10.5W	Efficacy	69.1 lm/W

Technical Specifications

Compliance

UL Classified:

Suitable for damp locations

ENERGY STAR V2.0:

This product is ENERGY STAR® Version 2.0 Certified.

IESNA LM-79 & LM-80 Testing:

RAB LED luminaires and LED components have been tested by an independent laboratory in accordance with IESNA LM-79 and LM-80.

CEC Status:

Not lawful for sale in California

Electrical

Driver:

Constant Current, Class 2, 50/60 Hz, 120V: 0.093A

THD:

27.43% at 120V

Power Factor:

95.6% at 120V

Dimming:

TRIAC and ELV dimming compatibility. [See dimmer compatibility guide here.](#)

Construction

Ambient Temperature:

-20°C to 40°C

Housing:

Precision, die-cast aluminum

Installation:

Jam clips for secure installation

Socket Adapter:

Edison 26 Medium Base Socket adapter included in box

Lens:

Frosted acrylic lens

Finish:

Chip and fade-resistant polyester powder coat finish

Technical Specifications (continued)

Construction

Green Technology:

Mercury and UV free. RoHS-compliant components.

LED Characteristics

LEDs:

Multi-chip, high-output, long-life LEDs

Performance

Lifespan:

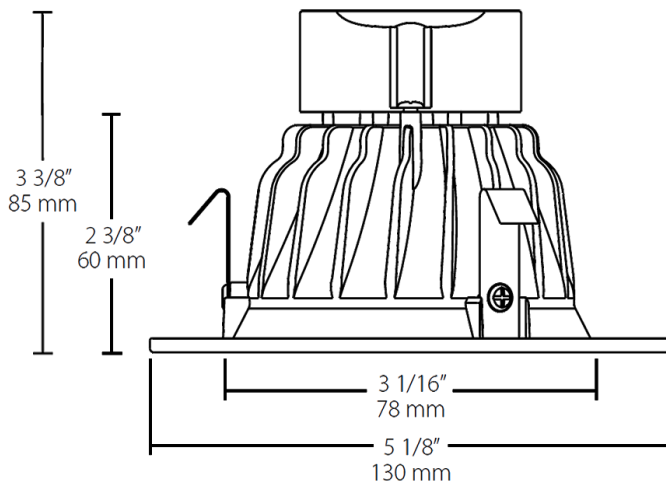
50,000-Hour LED lifespan based on IES LM-80 results and TM-21 calculations

Other

Buy American Act Compliance:

RAB values USA manufacturing! Upon request, RAB may be able to manufacture this product to be compliant with the Buy American Act (BAA). Please contact customer service to request a quote for the product to be made BAA compliant.

Dimensions



Features

- Superior thermal management with heat-dissipating fins
- Specification-grade 90 CRI standard
- Edison E26 Medium Base socket adapter included
- 5-Year, No-Compromise Warranty

Ordering Matrix

Family	Size	Shape	Wattage	Color Temp
DLED	4	R	11	Y
	6 = 6"	R = Round	9 = 9W	YN = 3500K Warm Neutral
	4 = 4"	AR = Adjustable Round	11 = 11W	Y = 3000K Warm
			14 = 14W	YY = 2700K Residential Warm