



The versatile, low-cost, low-profile wall pack. BRISK™ - efficient and affordable LED light.

Color: Bronze

Weight: 4.2 lbs

Project:

Type:

Prepared By:

Date:

#### Driver Info

Type	Constant Current
120V	0.17A
208V	0.11A
240V	0.10A
277V	0.08A
Input Watts	20.1W

#### LED Info

Watts	22W
Color Temp	5000K (Cool)
Color Accuracy	74 CRI
L70 Lifespan	60,000 Hours
Lumens	3,460
Efficacy	172.1 lm/W

## Technical Specifications

### Compliance

#### UL Listed:

Suitable for wet locations

#### IESNA LM-79 & LM-80 Testing:

RAB LED luminaires and LED components have been tested by an independent laboratory in accordance with IESNA LM-79 and LM-80.

#### DLC Listed:

This product is listed by Design Lights Consortium (DLC) as an ultra-efficient premium product that qualifies for the highest tier of rebates from DLC Member Utilities.

DLC Product Code: PUTPMUWL

### Performance

#### Lifespan:

60,000-Hour LED lifespan based on IES LM-80 results and TM-21 calculations

### LED Characteristics

#### LEDs:

Long-life, high-efficacy, surface-mount LEDs

### Color Uniformity:

RAB's range of Correlated Color Temperature follows the guidelines of the American National Standard for Specifications for the Chromaticity of Solid State Lighting (SSL) Products, ANSI C78.377-2017.

### Electrical

#### Driver:

Constant Current, Class 2, 50/60Hz, 120V: 0.17A, 208V: 0.11A, 240V: 0.10A, 277V: 0.08A

#### THD:

9.24% at 120V, 17.87% at 277V

#### Power Factor:

99.5% at 120V, 90.4% at 277V

#### Surge Protection:

2kV

### Construction

#### IP Rating:

Ingress protection rating of IP66 for dust and water

#### Maximum Ambient Temperature:

Suitable for use in up to 40°C (104°F)

#### Cold Weather Starting:

Minimum starting temperature is -40°C (-40°F)

#### Housing:

Precision die-cast aluminum

Technical Specifications (continued)

Construction

Reflector:

Specular

Lens:

Diffused acrylic

Mounting:

Heavy duty, die-cast junction box with four (4) conduit entries (one top, two side, one back)

Gaskets:

Silicone foam

Finish:

Formulated for high durability and long-lasting color

Green Technology:

Mercury and UV free. RoHS-compliant components.

Optical

BUG Rating:

B1 U3 G2

Other

Equivalency:

Equivalent to 100W Metal Halide or 100W HPS

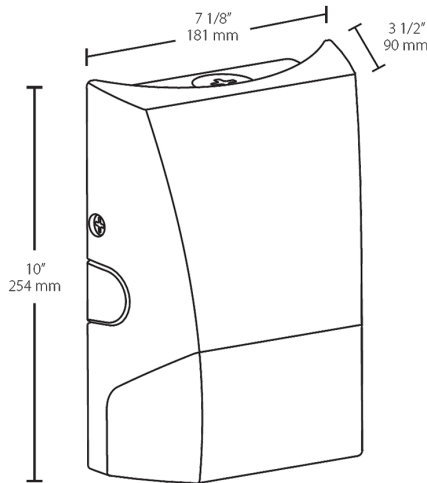
5 Yr Limited Warranty:

The RAB 5-year, limited warranty covers light output, driver performance and paint finish. RAB's warranty is subject to all terms and conditions found at [rablighting.com/warranty](http://rablighting.com/warranty).

Buy American Act Compliance:

RAB values USA manufacturing! Upon request, RAB may be able to manufacture this product to be compliant with the Buy American Act (BAA). Please contact customer service to request a quote for the product to be made BAA compliant.

Dimensions



Features

- Economical
- Traditional non-cutoff design
- 60,000-hour LED lifespan
- 5-Year, Limited Warranty

Ordering Matrix

Family	Lumen Package/Wattage	CCT/CRI	Finish	Options
BRISK	M32L			
	S11L = 1100 lumens / 9W S17L = 1700 lumens / 14W M32L = 3200 lumens / 22W M48L = 4800 lumens / 35W	Blank = 5000K Cool / 70 CRI 740 = 4000K Neutral / 70 CRI 730 = 3000K Warm / 70 CRI	Blank = Bronze W = White	Blank = No Option /PCU = 120-277V Photocell