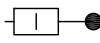
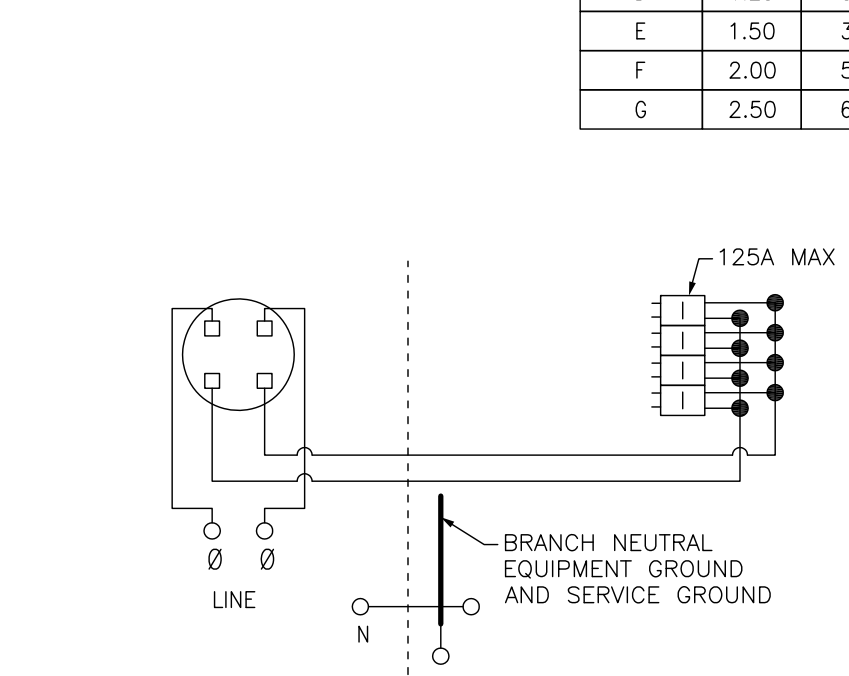
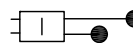
 TWO SINGLE POLE, ONE PLUG-ON SPACE TYPE HOMT OR ONE SINGLE POLE, ONE PLUG-ON SPACE TYPE HOM. TWO POLE TYPE HOM, HOMA OR HOMT MAY PLUG-ON TWO ADJACENT SPACES. A 125A MAX CIRCUIT BREAKER MAY BE INSTALLED ONLY IN THE TOP POSITION IN THE BRANCH PANEL. ALL OTHER POSITIONS ARE LIMITED TO 100A MAX CIRCUIT BREAKER (#1 AWG MAX WIRE).
 ONE SINGLE POLE, ONE PLUG-ON SPACE TYPE HOM ONLY. TWO POLE TYPE HOM MAY PLUG-ON TWO ADJACENT SPACES. BRANCH BREAKER IS LIMITED TO 100A MAX.
 A SQUARE D UL LISTED SECONDARY SURGE ARRESTER MAY PLUG ON TWO ADJACENT SPACES. ORDER CATALOG NO. HOM2175SB.

SC1624M100S
SC1624M125S



 TWO POLE TYPE HOM AND HOMA ONLY. INSTALL NO MORE THAN FOUR CIRCUIT BREAKERS. A 125 AMP MAX. CIRCUIT BREAKER MAY BE INSTALLED ONLY IN THE TOP POSITION IN THE BRANCH PANEL. ALL OTHER POSITIONS ARE LIMITED TO 100 AMP MAX CIRCUIT BREAKER (#1 AWG MAX WIRE).
 A SQUARE D UL LISTED SECONDARY SURGE ARRESTER MAY PLUG ON TWO ADJACENT SPACES. ORDER CATALOG NO. HOM2175SB.


SC8L125S

KNOCKOUTS		
SYMBOL	CONDUIT SIZE	
	IN	MM
A	.50	13
B	.75	19
C	1.00	25
D	1.25	32
E	1.50	38
F	2.00	51
G	2.50	64

DUAL DIMENSIONS: INCHES
MILLIMETERS

MAX MAINS RATINGS	FACTORY INSTALLED MAIN BREAKER	FACTORY INSTALLED BYPASS TYPE	SHORT CIRCUIT CURRENT RATING	CATALOG NUMBER	SERIES	SPACES	MAXIMUM NUMBER OF SINGLE POLE HOM CIRCUITS	LINE SIDE PHASE & NEUTRAL LUGS AWG	LARGE BRANCH NEUTRAL AWG
125	100	NONE	10K	SC1624M100S	M01	16	24	#6-2/0 CU/AL	#6-2/0 CU/AL
	NONE	NONE		SC8L125S		8	SEE ABOVE WIRING DIAGRAM		
	125	NONE		SC1624M125S		16	24		

NOTES:
 FINISH - GRAY BAKED ENAMEL POWDER COAT PAINT OVER CLEANED GALVANNEALED STEEL.
 MAXIMUM SYSTEM VOLTAGE - 120/240 VAC 1PH 3W.
 UL LISTED - FILE E-6294
 SUITABLE ONLY FOR USE AS SERVICE EQUIPMENT.
 SUITABLE FOR UNDERGROUND/OVERHEAD SERVICE.
 MEETS EUSERC SPECIFICATIONS.

COMBINATION SERVICE ENTRANCE DEVICES RING TYPE RAINPROOF NEMA TYPE 3R ENCLOSURE SURFACE ONLY	 SQUARE D by Schneider Electric
	DWG# 3164 NO.