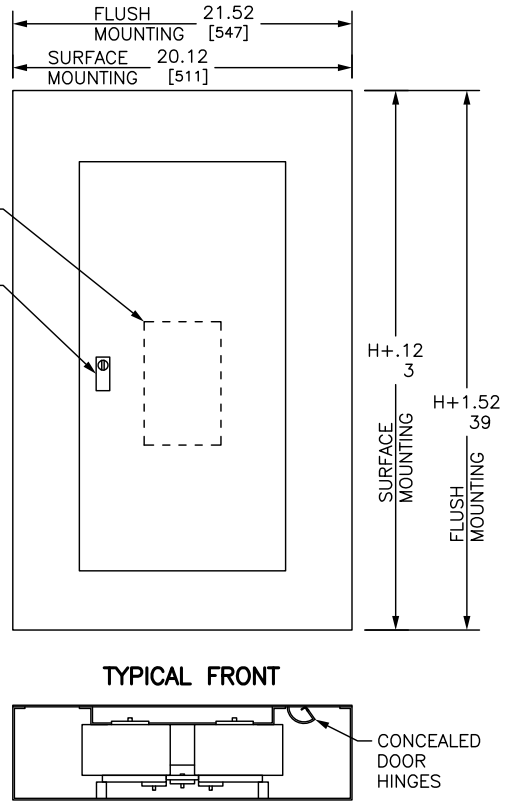
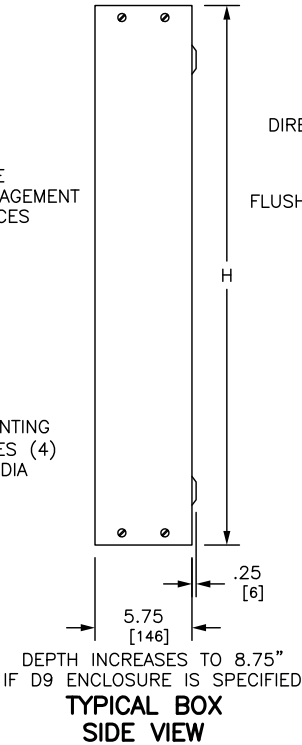
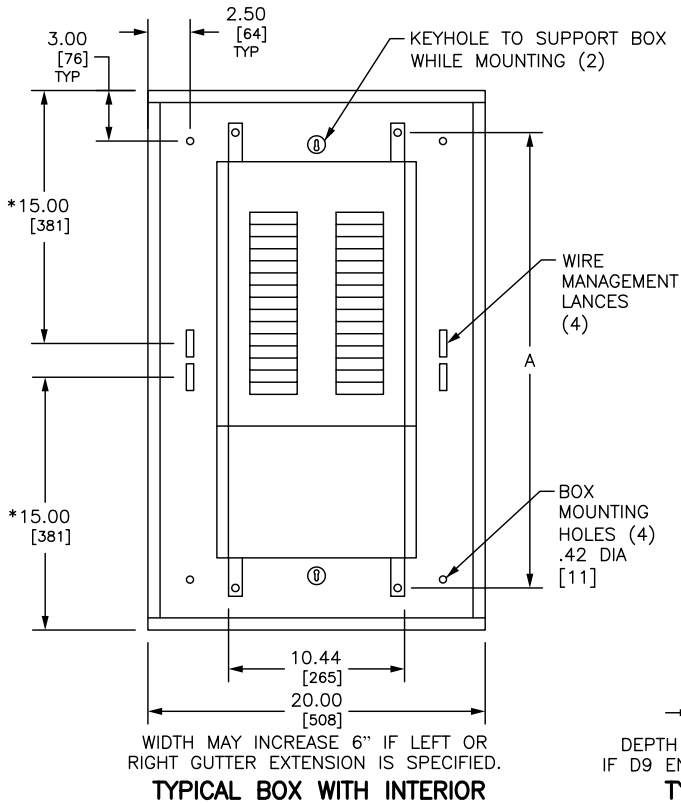
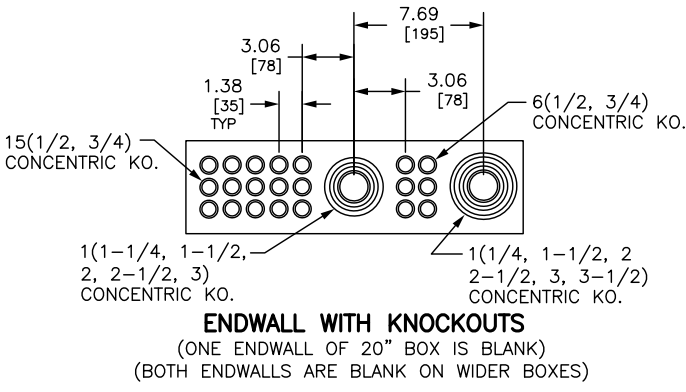


REV	DESCRIPTION	BY	DATE				
---	---	---	---	---	---	---	---



*FOR ENCLOSURES WHERE DIMENSION "H" IS 26.00/[660], THIS DIMENSION IS 11.00/[279]



REFER TO DP CATALOG CLASS 1670 FOR ADDITIONAL INFORMATION

FOR NEMA TYPE 3R APPLICATIONS USE IN CONJUNCTION WITH PBA555

NF PANELBOARDS MEET THE APPLICABLE REQUIREMENTS OF UL AND CSA.

BOX: CODE GAUGE GALVANIZED STEEL. ONE ENDWALL IS BLANK, THE OTHER HAS KNOCKOUTS.

FRONT: MONO-FLAT CONSTRUCTION WITH CONCEALED TRIM SCREWS AND DOOR HINGES. ANSI 49 GRAY BAKED ENAMEL FINISH ELECTRODEPOSITED OVER CLEANED PHOSPHATIZED STEEL.

LOCK: FLUSH LOCK WITH BRUSHED STAINLESS STEEL ESCUTCHEON. NSR-251 KEY.

DUAL DIMENSIONS: INCHES MILLIMETERS

MAXIMUM MAIN LUG AMPERE RATING	MAXIMUM NUMBER OF CIRCUITS	H		A	
		IN	MM	IN	MM
125	18	26	660	21	533
	30	32	813	27	686
250	30	38	965	33	838
	44	44	1118	39	998
	54	50	1270	45	1143
125 WITH SUB-THRU LUGS	66	62	1575	57	1448
	18	26	660	21	533
	30	32	813	27	686
250 WITH SUB-THRU LUGS	30	38	965	33	838
	44	44	1118	39	998
	54	50	1270	45	1143
125 WITH FEED-THRU LUGS	66	62	1575	57	1448
	18	32	813	27	686
	30	38	965	33	838
250 WITH FEED-THRU LUGS	30	56	1422	51	1295
	44	68	1726	63	1600
	54	62	1575	57	1448
	66	74	1880	69	1753
250 WITH SUB-FEED BREAKERS	30	56	1422	51	1295
	42	62	1575	57	1448
	54	62	1727	63	1600
	66	80	2032	75	1905

IF 125A ALUMINUM COMPRESSION FTL ARE SELECTED, ADD 6" TO H AND A DIMENSIONS.

JOB NAME: ---	EQUIPMENT DESIGNATION: ---
JOB LOCATION: ---	EQUIPMENT TYPE: NF 125A/250A MLO TYPE 1
DRAWN BY: ---	DRAWING TYPE: ---
ENGR: ---	
DATE: JULY 2020	
DRAWING STATUS: ---	DWG# PBA550
	PG 01 OF 01 REV -

