

Product data sheet

Specifications

SQUARE D



Safety switch, heavy duty, fusible, 100A, 3 wire, 3 pole, 100hp, 600VAC/DC, NEMA 3R, bolt on hub provision

H363RB

! Discontinued

! Discontinued on: Jan 31, 2024

Product availability: Stock - Normally stocked in distribution facility

Main

Product	Single Throw Safety Switch
Duty Rating	Heavy duty
Device Application	Heavy application
Disconnect Type	Fusible disconnect
Factory Installed Neutral	None
Number of Poles	3
Current Rating	100 A
Voltage Rating	600 V AC/DC
Enclosure Rating	NEMA 3R galvanized steel
Motor power hp	25 hp at 480 V AC 50-60 Hz for 3 phase motors 60 hp at 480 V AC 50-60 Hz for 3 phase motors 30 hp at 600 V AC 50-60 Hz for 3 phase motors 100 hp at 600 V AC 50-60 Hz for 3 phase motors 50 hp at 600 V DC

Complementary

Short-circuit current	10 kA for H or K 200 kA for R or J
Fuse type	H or K R or J
Mounting Type	Surface
Electrical Connection	Lugs
Wiring configuration	3-wire
Wire Size	AWG 12...AWG 1/0 aluminium AWG 14...AWG 1/0 copper
Tightening torque	50 lbf.in (5.6 N.m) (AWG 1...AWG 3/0) 45 lbf.in (5.08 N.m) (AWG 6...AWG 4) 40 lbf.in (4.5 N.m) 0.013 in ² (8.367 mm ²) (AWG 8) 35 lbf.in (4.0 N.m) 0.003...0.008 in ² (2.06...5.261 mm ²) (AWG 14...AWG 10)
Depth	6.38 in (162.05 mm)
Width	10.25 in (260.35 mm)
Height	21.25 in (539.75 mm)
Product Weight	19.8 lb(US) (9 kg)

Price is "List Price" and may be subject to a trade discount – check with your local distributor or retailer for actual price.

Environment

Certifications	UL listed file E2875
----------------	----------------------

Ordering and shipping details

Category	US10DE100009
----------	--------------

Discount Schedule	0DE1
-------------------	------

GTIN	785901482666
------	--------------

Returnability	Yes
---------------	-----

Country of origin	US
-------------------	----

Packing Units

Unit Type of Package 1	PCE
------------------------	-----

Number of Units in Package 1	1
------------------------------	---

Package 1 Height	7.10 in (18.034 cm)
------------------	---------------------

Package 1 Width	10.70 in (27.178 cm)
-----------------	----------------------

Package 1 Length	23.30 in (59.182 cm)
------------------	----------------------

Package 1 Weight	17.46 lb(US) (7.92 kg)
------------------	------------------------

Unit Type of Package 2	PAL
------------------------	-----

Number of Units in Package 2	1
------------------------------	---

Package 2 Height	43.50 in (110.49 cm)
------------------	----------------------

Package 2 Width	40.00 in (101.6 cm)
-----------------	---------------------

Package 2 Length	48.00 in (121.92 cm)
------------------	----------------------

Package 2 Weight	758.999 lb(US) (344.276 kg)
------------------	-----------------------------

Contractual warranty

Warranty	18 months
----------	-----------



Environmental Data

Schneider Electric aims to achieve Net Zero status by 2050 through supply chain partnerships, lower impact materials, and circularity via our ongoing “Use Better, Use Longer, Use Again” campaign to extend product lifetimes and recyclability.

[Environmental Data explained >](#)

[How we assess product sustainability >](#)

Environmental footprint

Carbon footprint (kg CO2 eq, Total Life cycle) **95**

Environmental Disclosure [Product Environmental Profile](#)

Use Better

Materials and Substances

Packaging made with recycled cardboard **Yes**

Packaging without single use plastic **Yes**

[EU RoHS Directive](#) **Compliant with Exemptions**

California proposition 65 **WARNING: This product can expose you to chemicals including: Lead and lead compounds, which is known to the State of California to cause cancer and birth defects or other reproductive harm. For more information go to www.P65Warnings.ca.gov**

PVC free **Yes**

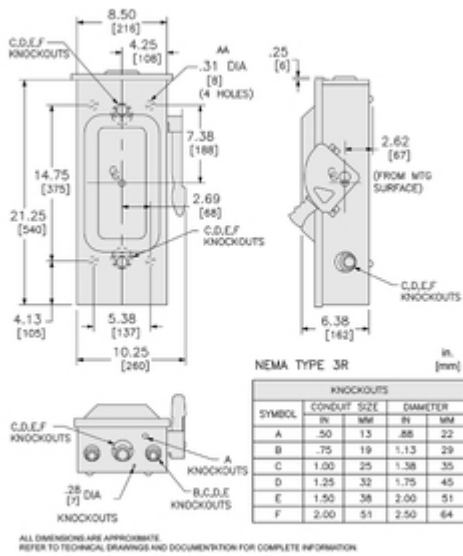
Use Again

Repack and remanufacture

Circularity Profile **No need of specific recycling operations**

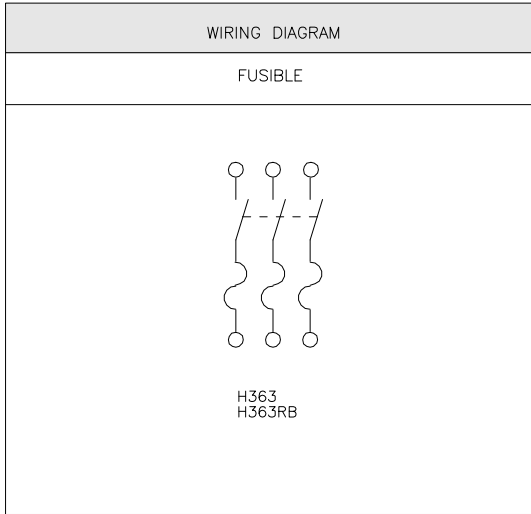
Technical Illustration

Dimensions



Technical Illustration

Wiring diagram



TERMINAL LUGS ‡			
AMPERES	MAX. WIRE	MIN. WIRE	TYPE
100	#1/0 AWG	#12 AWG	AL
	#1/0 AWG	#14 AWG	CU

‡ LUGS SUITABLE FOR 60°C OR 75°C COPPER OR ALUMINUM CONDUCTORS.