

# Product data sheet

Specifications

SQUARE D



Safety switch, heavy duty, fusible, 60A, 4 wire, 3 pole, 1 neutral, 50hp, 600VAC/DC, NEMA 3R, bolt on hub provision

H362NRB

! Discontinued

! Discontinued on: Jan 31, 2024

Product availability: Stock - Normally stocked in distribution facility

## Main

|                           |   |
|---------------------------|---|
| Product                   | Single Throw Safety Switch  |
| Duty Rating               | Heavy duty  |
| Device Application        | Heavy application   |
| Disconnect Type           | Fusible disconnect  |
| Factory Installed Neutral | Neutral (factory installed)   |
| Number of Poles           | 3   |
| Current Rating            | 60 A  |
| Voltage Rating            | 600 V AC/DC   |
| Enclosure Rating          | NEMA 3R galvanized steel  |
| Motor power hp            | 15 hp at 480 V AC 50-60 Hz for 3 phase motors<br>30 hp at 480 V AC 50-60 Hz for 3 phase motors<br>15 hp at 600 V AC 50-60 Hz for 3 phase motors<br>50 hp at 600 V AC 50-60 Hz for 3 phase motors<br>30 hp at 600 V DC |

## Complementary

|                       |  |
|-----------------------|--|
| Short-circuit current | 10 kA for H or K<br>200 kA for R or J  |
| Fuse type             | H or K<br>R or J   |
| Mounting Type         | Surface  |
| Electrical Connection | Lugs   |
| Wiring configuration  | 4-wire (3PH + N)   |
| Wire Size             | AWG 14...AWG 3 copper<br>AWG 12...AWG 3 aluminium  |
| Tightening torque     | 50 lbf.in (5.6 N.m) (AWG 3)<br>45 lbf.in (5.08 N.m) (AWG 6...AWG 4)<br>40 lbf.in (4.5 N.m) 0.013 in <sup>2</sup> (8.367 mm <sup>2</sup> ) (AWG 8)<br>50 lbf.in (5.6 N.m) 0.003...0.008 in <sup>2</sup> (2.06...5.261 mm <sup>2</sup> ) (AWG 14...AWG 10) |
| Depth                 | 6.38 in (162.05 mm)  |
| Width                 | 10.5 in (266.7 mm)   |
| Height                | 17.5 in (444.5 mm)   |
| Product Weight        | 17.6 lb(US) (8 kg)   |

Price is "List Price" and may be subject to a trade discount – check with your local distributor or retailer for actual price.

## Environment

|                |                      |
|----------------|----------------------|
| Certifications | UL listed file E2875 |
|----------------|----------------------|

## Ordering and shipping details

|          |              |
|----------|--------------|
| Category | US10DE100009 |
|----------|--------------|

|                   |      |
|-------------------|------|
| Discount Schedule | 0DE1 |
|-------------------|------|

|      |              |
|------|--------------|
| GTIN | 785901122494 |
|------|--------------|

|               |     |
|---------------|-----|
| Returnability | Yes |
|---------------|-----|

|                   |    |
|-------------------|----|
| Country of origin | US |
|-------------------|----|

## Packing Units

|                        |     |
|------------------------|-----|
| Unit Type of Package 1 | PCE |
|------------------------|-----|

|                              |   |
|------------------------------|---|
| Number of Units in Package 1 | 1 |
|------------------------------|---|

|                  |                    |
|------------------|--------------------|
| Package 1 Height | 7.50 in (19.05 cm) |
|------------------|--------------------|

|                 |                      |
|-----------------|----------------------|
| Package 1 Width | 10.70 in (27.178 cm) |
|-----------------|----------------------|

|                  |                    |
|------------------|--------------------|
| Package 1 Length | 20.00 in (50.8 cm) |
|------------------|--------------------|

|                  |                          |
|------------------|--------------------------|
| Package 1 Weight | 15.351 lb(US) (6.963 kg) |
|------------------|--------------------------|

|                        |     |
|------------------------|-----|
| Unit Type of Package 2 | PAL |
|------------------------|-----|

|                              |    |
|------------------------------|----|
| Number of Units in Package 2 | 40 |
|------------------------------|----|

|                  |                      |
|------------------|----------------------|
| Package 2 Height | 39.50 in (100.33 cm) |
|------------------|----------------------|

|                 |                     |
|-----------------|---------------------|
| Package 2 Width | 40.00 in (101.6 cm) |
|-----------------|---------------------|

|                  |                      |
|------------------|----------------------|
| Package 2 Length | 48.00 in (121.92 cm) |
|------------------|----------------------|

|                  |                             |
|------------------|-----------------------------|
| Package 2 Weight | 674.000 lb(US) (305.721 kg) |
|------------------|-----------------------------|

## Contractual warranty

|          |           |
|----------|-----------|
| Warranty | 18 months |
|----------|-----------|

## Environmental Data

Schneider Electric aims to achieve Net Zero status by 2050 through supply chain partnerships, lower impact materials, and circularity via our ongoing "Use Better, Use Longer, Use Again" campaign to extend product lifetimes and recyclability.

[Environmental Data explained >](#)

[How we assess product sustainability >](#)

### Environmental footprint

Carbon footprint (kg CO2 eq, Total Life cycle) 70

Environmental Disclosure [Product Environmental Profile](#)

## Use Better

### Materials and Substances

Packaging made with recycled cardboard Yes

Packaging without single use plastic Yes

[EU RoHS Directive](#) Compliant with Exemptions

California proposition 65 **WARNING: This product can expose you to chemicals including: Lead and lead compounds, which is known to the State of California to cause cancer and birth defects or other reproductive harm. For more information go to [www.P65Warnings.ca.gov](http://www.P65Warnings.ca.gov)**

PVC free Yes

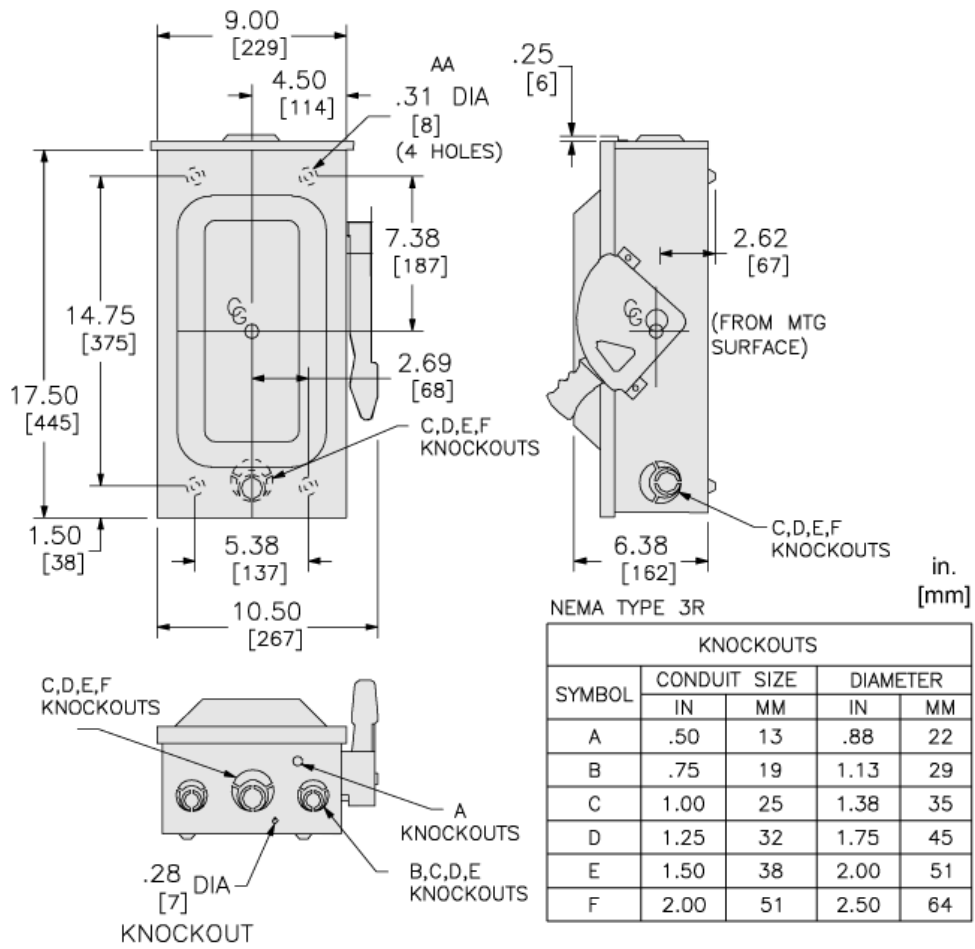
## Use Again

### Repack and remanufacture

Circularity Profile No need of specific recycling operations

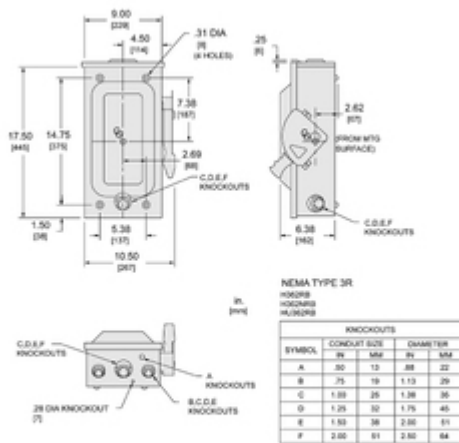
Dimensions Drawings

Approximate Dimensions



Technical Illustration

Dimensions

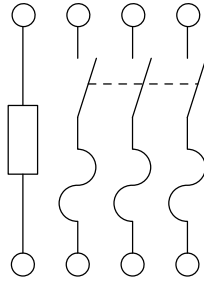


Technical Illustration

Wiring diagram

---

FUSIBLE



H362N  
H362NRB