

Product data sheet

Specifications

SQUARE D



Safety switch, heavy duty, fusible, 100A, 4 wire, 3 pole, 1 neutral, 30hp, 240VAC/250VDC, NEMA 1

H323N

⚠ Discontinued on: Jun 23, 2023

⚠ Discontinued

Product availability: Stock - Normally stocked in distribution facility

Main

Product	Single Throw Safety Switch
Duty Rating	Heavy duty
Device Application	Heavy application
Disconnect Type	Fusible disconnect
Factory Installed Neutral	Neutral (factory installed)
Number of Poles	3
Current Rating	100 A
Voltage Rating	250 V DC 240 V AC
Enclosure Rating	NEMA 1 steel
Motor power hp	7.5 hp at 240 V AC 50-60 Hz for 1 phase motors 15 hp at 240 V AC 50-60 Hz for 3 phase motors 15 hp at 240 V AC 50-60 Hz for 1 phase motors 30 hp at 240 V AC 50-60 Hz for 3 phase motors 20 hp at 250 V DC

Complementary

Short-circuit current	10 kA for H or K 200 kA for R or J
Fuse type	H or K R or J
Mounting Type	Surface
Electrical Connection	Lugs
Wiring configuration	4-wire (3PH + G)
Wire Size	AWG 12...AWG 1/0 aluminium AWG 14...AWG 1/0 copper
Tightening torque	50 lbf.in (5.6 N.m) (AWG 1...AWG 3/0) 45 lbf.in (5.08 N.m) (AWG 6...AWG 4) 40 lbf.in (4.5 N.m) 0.013 in ² (8.367 mm ²) (AWG 8) 35 lbf.in (4.0 N.m) 0.003...0.008 in ² (2.06...5.261 mm ²) (AWG 14...AWG 10)
Depth	6.38 in (162.05 mm)
Width	8.5 in (215.9 mm)
Height	21.25 in (539.75 mm)
Product Weight	19.8 lb(US) (9 kg)

Price is "List Price" and may be subject to a trade discount – check with your local distributor or retailer for actual price.

Environment

Certifications UL listed file E2875

Ordering and shipping details

Category US10DE100008

Discount Schedule 0DE1

GTIN 785901480464

Returnability Yes

Country of origin US

Packing Units

Unit Type of Package 1 PCE

Number of Units in Package 1 1

Package 1 Height 7.20 in (18.288 cm)

Package 1 Width 10.60 in (26.924 cm)

Package 1 Length 23.50 in (59.69 cm)

Package 1 Weight 17.899 lb(US) (8.119 kg)

Contractual warranty

Warranty 18 months



Environmental Data

Schneider Electric aims to achieve Net Zero status by 2050 through supply chain partnerships, lower impact materials, and circularity via our ongoing “Use Better, Use Longer, Use Again” campaign to extend product lifetimes and recyclability.

[Environmental Data explained >](#)

[How we assess product sustainability >](#)

Environmental footprint

Carbon footprint (kg CO2 eq, Total Life cycle) **97**

Environmental Disclosure [Product Environmental Profile](#)

Use Better

Materials and Substances

Packaging made with recycled cardboard **Yes**

Packaging without single use plastic **Yes**

[EU RoHS Directive](#) **Compliant with Exemptions**

California proposition 65 **WARNING: This product can expose you to chemicals including: Lead and lead compounds, which is known to the State of California to cause cancer and birth defects or other reproductive harm. For more information go to www.P65Warnings.ca.gov**

PVC free **Yes**

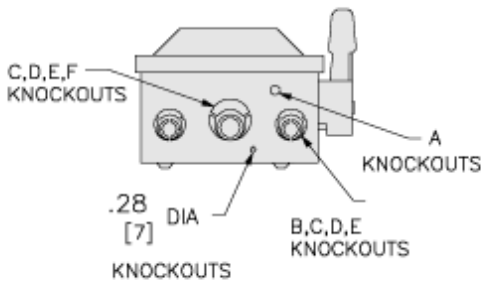
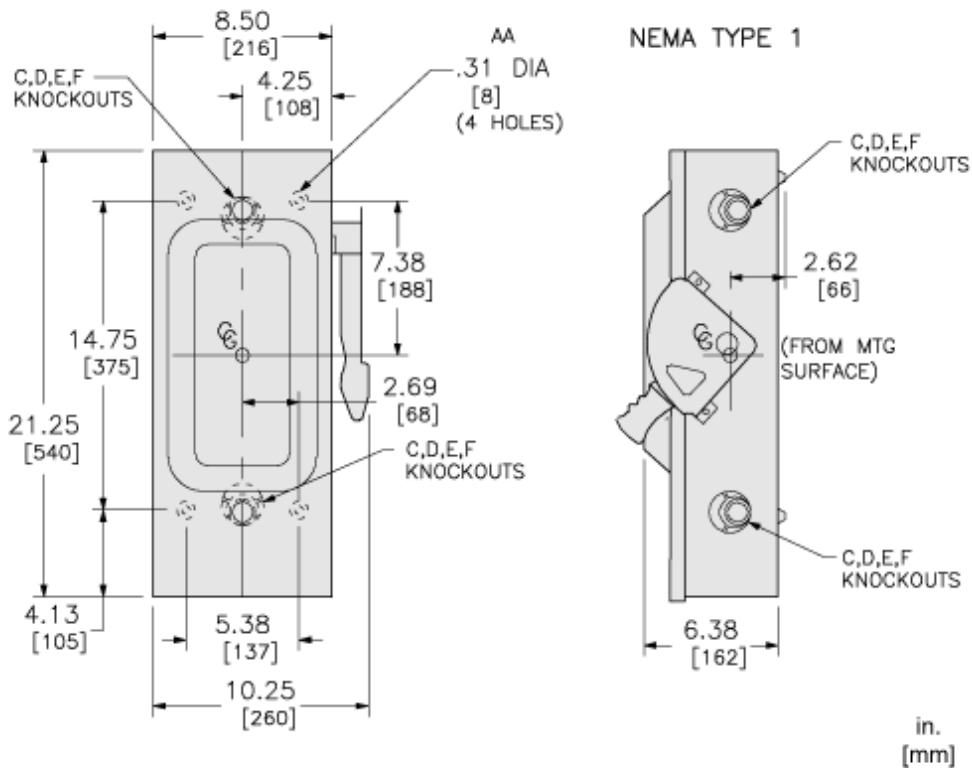
Use Again

Repack and remanufacture

Circularity Profile **No need of specific recycling operations**

Dimensions Drawings

Approximate Dimensions



KNOCKOUTS				
SYMBOL	CONDUIT SIZE		DIAMETER	
	IN	MM	IN	MM
A	.50	13	.88	22
B	.75	19	1.13	29
C	1.00	25	1.38	35
D	1.25	32	1.75	45
E	1.50	38	2.00	51
F	2.00	51	2.50	64

Technical Illustration

Dimensions

