

# Product data sheet

Specifications

SQUARE D



Safety switch, heavy duty, fusible,  
30A, 3 wire, 2 pole, 1 neutral,  
7.5hp, 240VAC/250VDC, NEMA 1

H221N

⚠ Discontinued on: Jan 31, 2024

⚠ Discontinued

Product availability: Stock - Normally stocked in distribution facility

## Main

Product	Single Throw Safety Switch
Duty Rating	Heavy duty
Device Application	Heavy application
Disconnect Type	Fusible disconnect
Factory Installed Neutral	Neutral (factory installed)
Number of Poles	2
Current Rating	30 A
Voltage Rating	250 V DC 240 V AC
Enclosure Rating	NEMA 1 steel
Motor power hp	1.5 hp at 240 V AC 50-60 Hz for 1 phase motors 3 hp at 240 V AC 50-60 Hz for 3 phase motors 3 hp at 240 V AC 50-60 Hz for 1 phase motors 7.5 hp at 240 V AC 50-60 Hz for 3 phase motors 5 hp at 250 V DC

## Complementary

Short-circuit current	10 kA for H or K 200 kA for R or J
Fuse type	H or K R or J
Mounting Type	Surface
Electrical Connection	Lugs
Wiring configuration	3-wire
Wire Size	AWG 12...AWG 6 aluminium AWG 14...AWG 6 copper
Tightening torque	45 lbf.in (5.08 N.m) 0.02 in <sup>2</sup> (13.3 mm <sup>2</sup> ) (AWG 6) 40 lbf.in (4.5 N.m) 0.013 in <sup>2</sup> (8.367 mm <sup>2</sup> ) (AWG 8) 35 lbf.in (4.0 N.m) 0.003...0.008 in <sup>2</sup> (2.06...5.261 mm <sup>2</sup> ) (AWG 14...AWG 10)
Depth	4.88 in (123.95 mm)
Width	6.5 in (165.1 mm)
Height	14.6 in (370.8 mm)
Product Weight	8.8 lb(US) (4 kg)

## Environment

Price is "List Price" and may be subject to a trade discount – check with your local distributor or retailer for actual price.

---

Certifications	UL listed file E2875
----------------	----------------------

## Ordering and shipping details

---

Category	US10DE100008
Discount Schedule	0DE1
GTIN	785901477686
Returnability	Yes
Country of origin	US

## Packing Units

---

Unit Type of Package 1	PCE
Number of Units in Package 1	1
Package 1 Height	5.20 in (13.208 cm)
Package 1 Width	7.70 in (19.558 cm)
Package 1 Length	16.20 in (41.148 cm)
Package 1 Weight	7.811 lb(US) (3.543 kg)
Unit Type of Package 2	PAL
Number of Units in Package 2	120
Package 2 Height	45.00 in (114.3 cm)
Package 2 Width	40.00 in (101.6 cm)
Package 2 Length	48.00 in (121.92 cm)
Package 2 Weight	971.999 lb(US) (440.891 kg)

## Contractual warranty

---

Warranty	18 months
----------	-----------

## Environmental Data

Schneider Electric aims to achieve Net Zero status by 2050 through supply chain partnerships, lower impact materials, and circularity via our ongoing “Use Better, Use Longer, Use Again” campaign to extend product lifetimes and recyclability.

[Environmental Data explained >](#)

[How we assess product sustainability >](#)

### Environmental footprint

Carbon footprint (kg CO2 eq, Total Life cycle) 31

Environmental Disclosure [Product Environmental Profile](#)

## Use Better

### Materials and Substances

Packaging made with recycled cardboard Yes

Packaging without single use plastic Yes

[EU RoHS Directive](#) Compliant with Exemptions

California proposition 65 **WARNING: This product can expose you to chemicals including: Lead and lead compounds, which is known to the State of California to cause cancer and birth defects or other reproductive harm. For more information go to [www.P65Warnings.ca.gov](http://www.P65Warnings.ca.gov)**

PVC free Yes

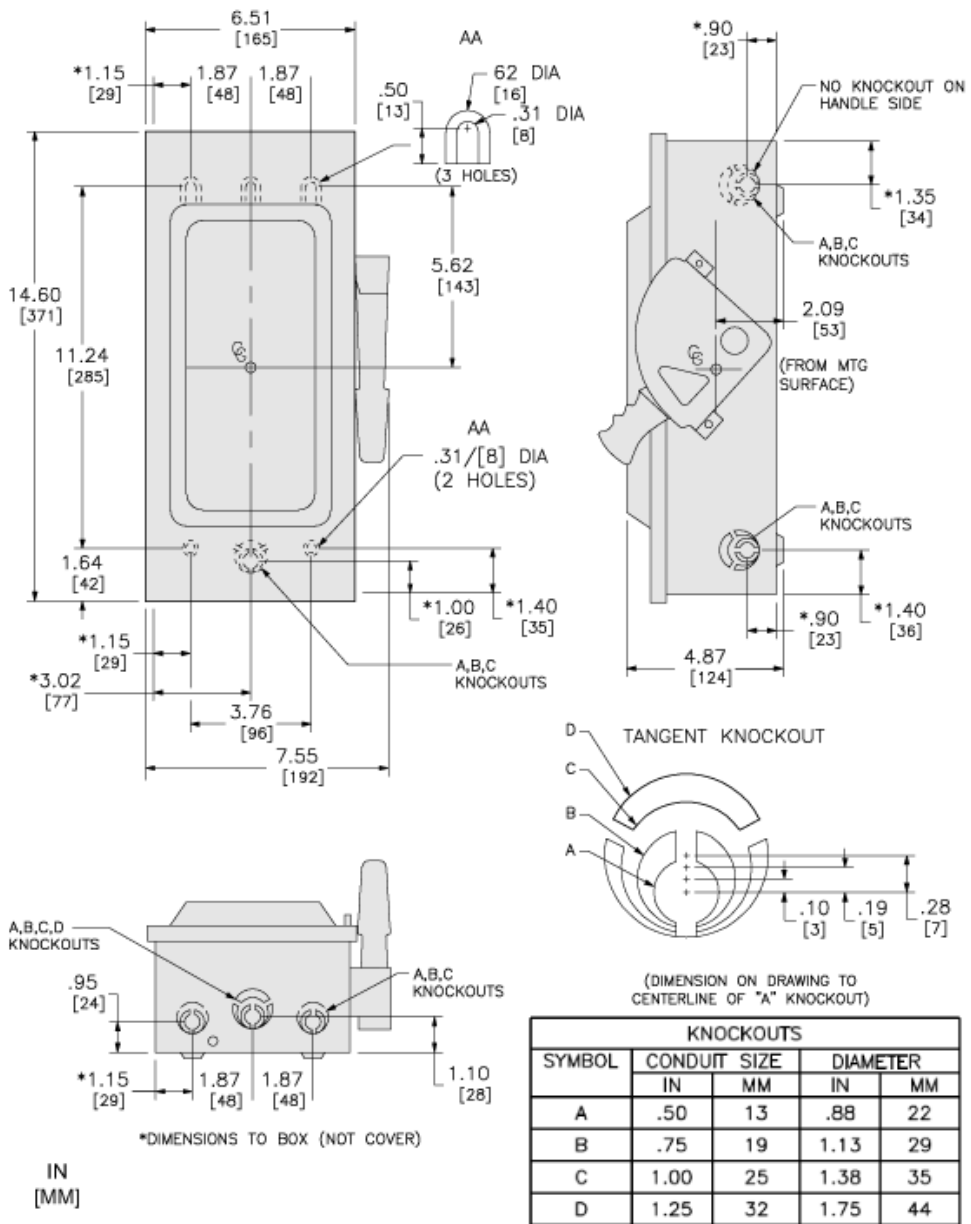
## Use Again

### Repack and remanufacture

Circularity Profile No need of specific recycling operations

Dimensions Drawings

Approximate Dimensions



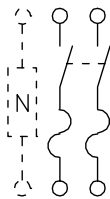


Technical Illustration

Wiring diagram

---

FUSIBLE



H221N