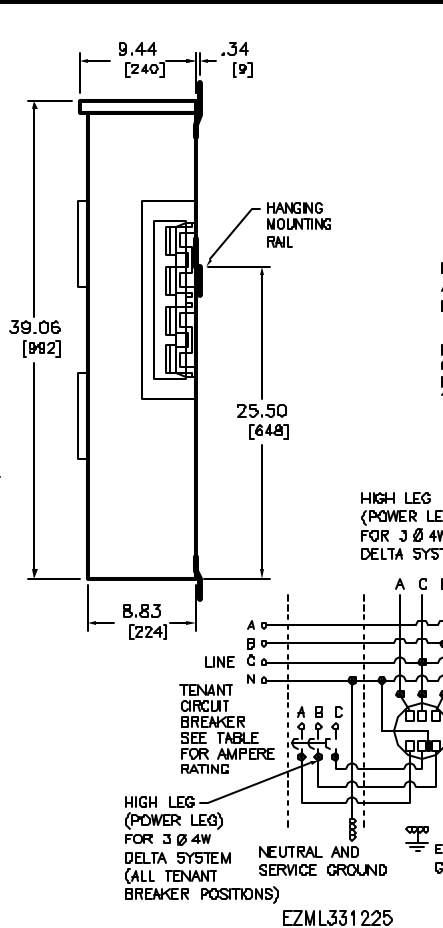


NOTES:
 FINISH - GRAY BAKED ENAMEL POWDER COAT PAINT OVER CLEANED GALVANNEALED STEEL.
 UL LISTED - FILE E-131840, VOL. M
 SUITABLE FOR USE AS SERVICE EQUIPMENT.
 MAIN HORIZONTAL CROSS BUS RATED AT 1200 AMPERES.
 UNMETERED COMPARTMENTS ARE SEALABLE BY UTILITY.
 GANGABLE MULTI-METERING EQUIPMENT IS DESIGNED FOR WALL MOUNTING ONLY (NOT SUITABLE FOR FLOOR STANDING EQUIPMENT).



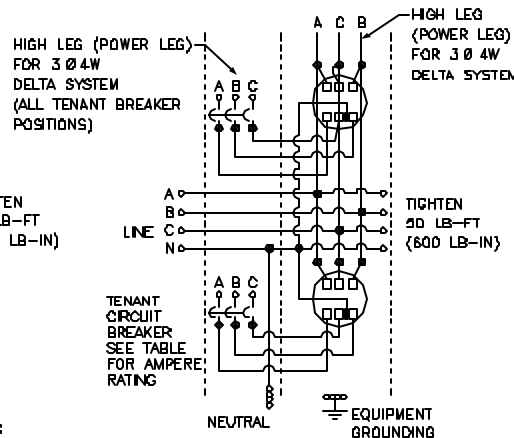
SYSTEM TYPE (IN)	SERVICE PROVIDED (OUT)	CATALOG NUMBER	METER SOCKET TYPE	NUMBER OF POSITIONS	TENANT CIRCUIT BREAKER (ORDER SEPARATELY)	NEUTRAL WIRE RANGE	EQUIPMENT GROUND LUG WIRE RANGE
3Ø 4W 240/120 VAC DELTA OR 208Y/120 VAC	3Ø 4W 240/120 VAC DELTA OR 208Y/120 VAC	EZML331225	7-JAW RINGLESS TYPE WITH LEVER BYPASS AND JAW RELEASE	1	3-POLE SEE TABLE ABOVE	#6-30D KCMIL CU/AL	#14-2/0 KCMIL CU #12-2/0 KCMIL AL
		EZML332225		2			
		EZMR332225					

TENANT CIRCUIT BREAKER (3-POLE)	AMPERE RATINGS MIN. - MAX.	SHORT CIRCUIT BREAKER RATING RMS SYMMETRICAL AMPERES MAX.	VOLTS MAX.
QBP-TM	70 - 225	10,000	240/120
QDP-TM	70 - 225	25,000	
QEP-TM	70 - 225	65,000	
QFP-TM	70 - 225	100,000 ▼	

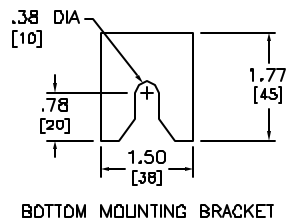
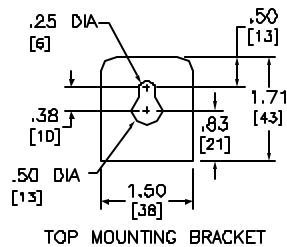
▼ RATED 100kA MAX. AT 208Y/120 VAC, 65 kA MAX. AT 240/120 VAC

BRANCH UNIT AVAILABLE WITH ALL COPPER BUSSING
 ADD SUFFIX "CU" TO CATALOG NUMBER (EXAMPLE:
 EZML331225CU).

FOR METERING EQUIPMENT SHORT CIRCUIT CURRENT RATINGS REFER TO SQUARE D DIGEST 173, PAGE 2-8.



SYMBOL	CONDUIT SIZE	
	IN	MM
A	.50	13
B	.75	19
D	1.25	32
E	1.50	38
F	2.00	51
G	2.50	64



DUAL DIMENSIONS: INCHES MILLIMETERS

EZ METER-PAK GANGABLE MULTI-METERING EQUIPMENT
 225 MAX 3PH 4W METER SOCKET/CIRCUIT BREAKER
 1 AND 2-GANG BRANCH UNITS
 RAINPROOF NEMA TYPE 3R ENCLOSURES



DWG# 3301
 NO.