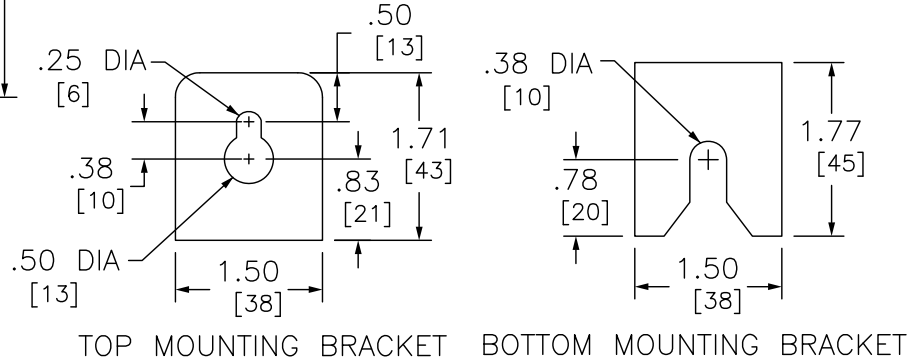
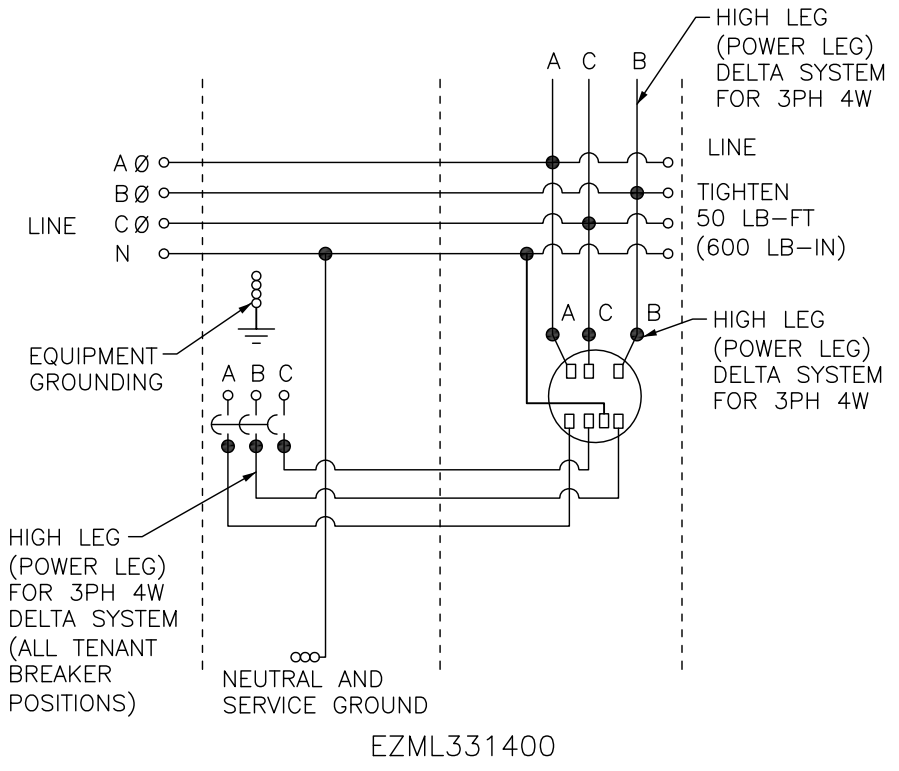
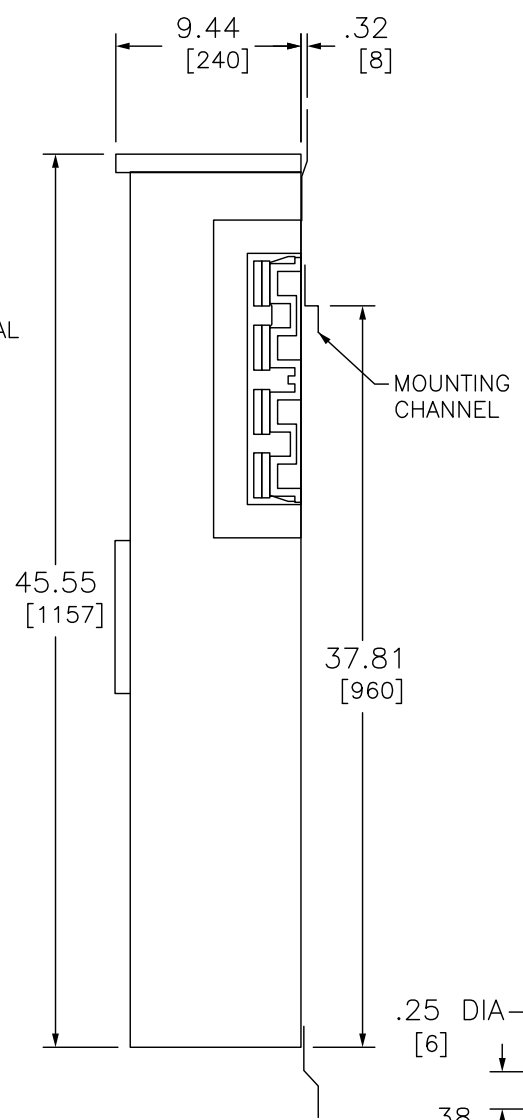


BRANCH UNIT SUPPLIED WITH ALL COPPER BUSSING.

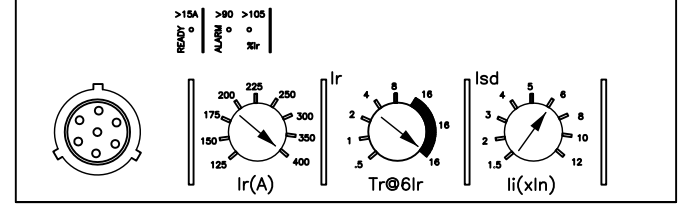


FACTORY INSTALLED TYPE LJL CIRCUIT BREAKER HAS AN ADJUSTABLE TRIP AMPERE RATING RANGING FROM 125A TO 400A PER TABLE BELOW. EXACT AMPERE RATING MAY NOT BE ATTAINABLE. EXAMPLES:
 225A (AVAILABLE SETTINGS 223A OR 228A)
 250A (AVAILABLE SETTINGS 246A OR 252A)
 300A (AVAILABLE SETTINGS 297A OR 304A)
 350A (AVAILABLE SETTINGS 340A OR 352A)

CIRCUIT BREAKER TYPE	STANDARD LUG WIRE RANGE (AWG-KCMIL)	OPTIONAL LUG WIRE RANGE (AWG-KCMIL)
LJL	(2) 2/0-500 CU-AL	#2-600 CU #2-500 AL

OPTIONAL LUG KIT CATALOG NUMBER: AL400L61K3 (KIT INCLUDES 3 LUGS) ORDER SEPARATELY.

LJL36400U31X



ADJUSTABLE SHORT TIME TRIP RANGE SETTING IS FACTORY SET AT Isd=6. WITH BREAKER AMPERE RATING SET FOR 400A, THE SHORT TIME TRIP RATING FOR THE BREAKER IS SET AT 2400 (6X400AMP=2400AMP).

OPTIONAL TAMPER EVIDENT SEALING KIT REF. 29375 IS AVAILABLE FOR INSTALLATION ON THE CLEAR DIAL COVER, KIT INCLUDES SCREW HEAD COVER, SEALING WIRE, LEAD CRIMP SEAL AND INSTALLATION INSTRUCTION.(REFER TO. NEC2002, ARTICLE 240-6C)

OPTIONAL ANTI-INVERSION CLIP KIT CATALOG NUMBER: MMLRK AVAILABLE FOR USE WITH LEVER TYPE BYPASS METER SOCKET ORDER SEPARATELY WHEN REQUIRED.

NOTES:
 65,000 RMS SYMMETRICAL AMPERS MAXIMUM SHORT CIRCUIT CURRENT RATING AT 240/120 VAC, DELTA 3-PHASE, 4-WIRE MAXIMUM
 100,00 RMS SYMMETRICAL AMPERS MAXIMUM SHORT CIRCUIT CURRENT RATING AT 208Y/120 VAC, 3-PHASE, 4-WIRE MAXIMUM
 SUPPLIED WITH CLASS 320 METER SOCKET
 SUPPLIED WITH TIN PLATED ALL COPPER BUSSING
 FINISH - GRAY BAKED ENAMEL POWDER COAT PAINT OVER CLEANED GALVANNEALED STEEL.
 UL LISTED - FILE E-131840, VOL M
 SUITABLE FOR USE AS SERVICE EQUIPMENT
 MAIN HORIZONTAL CROSS BUS RATED AT 1200 AMPERES
 GANGABLE MULTI-METERING EQUIPMENT IS DESIGNED FOR WALL MOUNTING ONLY (NOT SUITABLE FOR FLOOR STANDING EQUIPMENT)
 UNMETERED COMPARTMENTS ARE SEALABLE BY UTILITY
 NO KNOCKOUTS PROVIDED ON BOTTOM ENDWALL EZML 400A

** TYPE LJL CIRCUIT BREAKER AMPERE RATING ADJUSTIBLE FROM 125A MIN. TO 400A MAX. AND IS FACTORY SET AT 400A

SYSTEM TYPE (IN)	SERVICE PROVIDED (OUT)	CATALOG NUMBER	METER SOCKET TYPE	NUMBER OF POSITIONS	TENANT CIRCUIT BREAKER INCLUDED (FACTORY INSTALLED)	NEUTRAL AND SERVICE GROUND WIRE RANGE	EQUIPMENT GROUND LUG WIRE RANGE
3PH 4W 240/120 VAC DELTA OR 208Y/120 VAC	3PH 4W 240/120 VAC DELTA OR 208/120 VAC	EZML331400	7-JAW RINGLESS TYPE WITH LEVER BYPASS AND JAW RELEASE	1	LJL ** (125A TO 400A) 3 POLE	#1/0-600 KCMIL CU/AL (2) #1/0-250 CU/AL	#4-300 CU/AL

DUAL DIMENSIONS: INCHES
MILLIMETERS

EZ METER-PAK GANGABLE MULTI-METERING EQUIPMENT
 400A MAX 3PH 4W METER SOCKET/CIRCUIT BREAKER
 1-GANG BRANCH UNITS
 RAINPROOF NEMA TYPE 3R ENCLOSURES

SQUARE D
 by Schneider Electric

DWG# 3345
 NO.