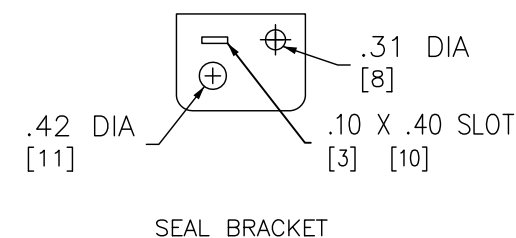
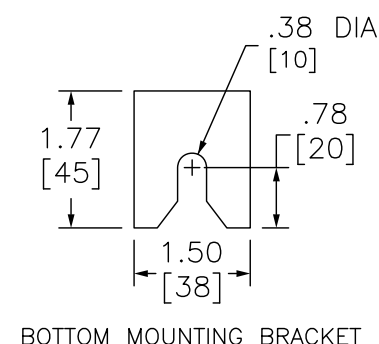
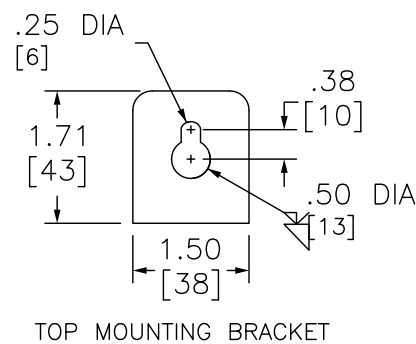
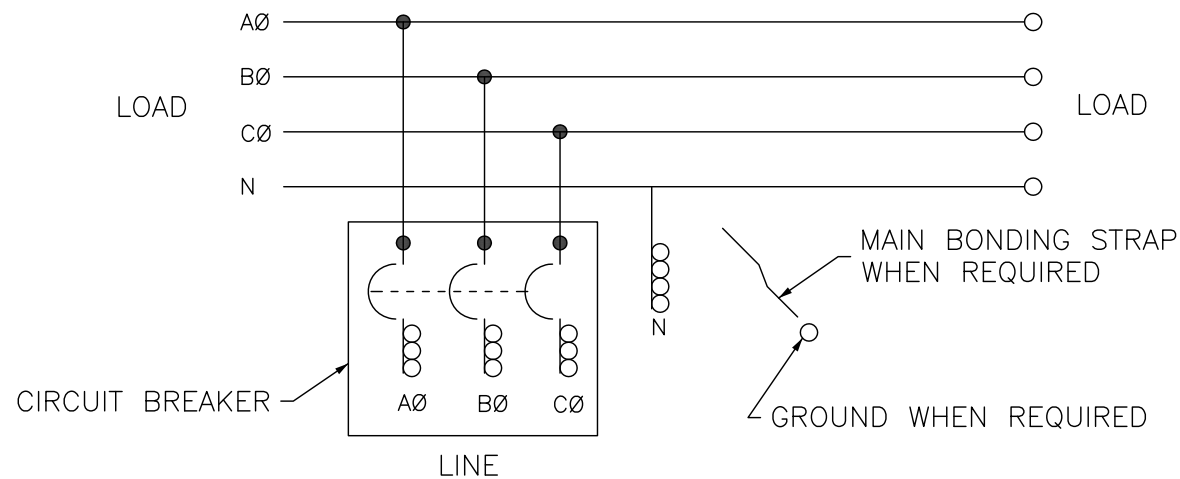


ADDITIONAL NOTES:

- HANDLE EXTENSION AVAILABLE P-FRAME BREAKER ORDER KIT 33195.
- ◆ ALTERNATE LUG KITS ARE AVAILABLE FOR USE ON LINE SIDE OF MOLDED CASE CIRCUIT BREAKER (REFER TO DIGEST 177, PAGE 7-64)
- ▼ ALTERNATE NEUTRAL LUG AVAILABLE , ORDER ONE (1) KIT , MMLK250 FOR (1) # 1/0 AWG-600 KCMIL OR (2) # 1/0 AWG - 250 KCMIL AL/CU ( KIT INCLUDES THREE , 2 -BARREL LUGS ), NEUTRAL WILL ACCOMODATE TWO , 2 BARREL LUGS ONLY

SYMBOL	KNOCKOUTS	
	CONDUIT SIZE IN	CONDUIT SIZE MM
A	.50	13
B	.75	19
E	1.50	38
F	2.00	51
G	2.50	64
H	3.00	76
I	3.50	89
J	4.00	102



DUAL DIMENSIONS: INCHES  
MILLIMETERS

NOTES:  
FINISH - GRAY BAKED ENAMEL POWDER COAT PAINT OVER CLEANED GALVANNEALED STEEL.  
UL LISTED -FILE E131840, VOL.M  
SUITABLE FOR USE AS SERVICE EQUIPMENT.  
MAIN HORIZONTAL CROSS BUS RATED 1000A (ALUMINUM 1/4 X 2-1/2 TWO LAMINATIONS).  
MAIN DEVICES ARE SEALABLE BY UTILITY.  
GANGABLE MULTI-METERING EQUIPMENT IS DESIGNED FOR WALL MOUNTING ONLY  
(NOT SUITABLE FOR FLOOR STANDING EQUIPMENT).  
WHEN USED AS SERVICE EQUIPMENT, INSTALL BONDING STRAP AND REINSTALL GROUND LUG WHERE APPROPRIATE.

SYSTEM TYPE	MAIN RATING (AMPERES)	CATALOG NUMBER	MOLDED CASE BREAKER (FACTORY INSTALLED) INTERRUPTING RATING 65kA @ 240V	LINE SIDE PHASE LUG WIRE RANGE FOR AL OR CU CONDUCTORS (SUPPLIED WITH BREAKER)	LINE SIDE NEUTRAL LUG WIRE RANGE FOR AL OR CU CONDUCTORS (FACTORY INSTALLED)	GROUND LUG WIRE RANGE (FACTORY INSTALLED)
3Ø 4W 208Y/120 VAC OR 240/120 VAC DELTA	1000	EZM31000CB	PGP36100U31A	(4) 3/0-500 ◆	(4) 3/0-500 ▼	(1) #6-300

EZ METER-PAK GANGABLE  
MULTI-METERING EQUIPMENT  
1000A 3PH 4W MAIN CIRCUIT BREAKER DEVICES  
OVERHEAD / UNDERGROUND FEED  
RAINPROOF NEMA TYPE 3R ENCLOSURES



DWG# PWFDS-SYRS-0191  
NO.