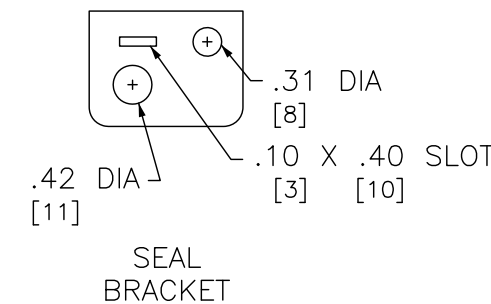
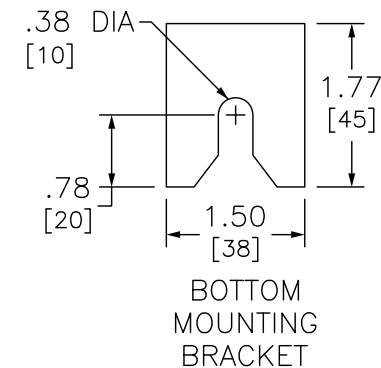
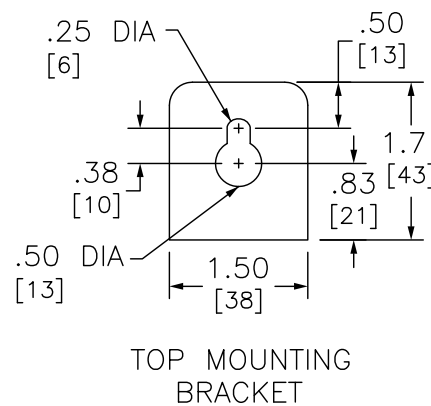
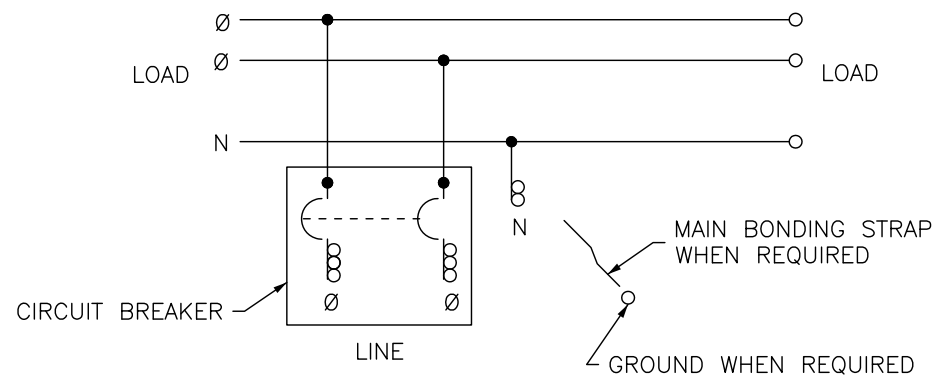


ADDITIONAL NOTES:

- HANDLE EXTENSION AVAILABLE, ORDER KIT AHXL1, HANDLE IS HINGED, ALLOWING IT TO BE TUCKED UNDER THE DOOR ON THE COVER.
- ◆ ALTERNATE LUG KITS ARE AVAILABLE FOR USE ON LINE SIDE OF MOLDED CASE CIRCUIT BREAKER (REFER TO DIGEST 172, PAGE 6-40).
- ▲ ALTERNATE NEUTRAL LUG AVAILABLE, ORDER ONE (1) KIT, MMLK500 FOR (2) #3/0 AWG-500 KCMIL AL/CU (KIT INCLUDES THREE, 2-BARREL LUGS), NEUTRAL WILL ACCOMMODATE ONE, 2-BARREL LUG ONLY.
- ▼ ALTERNATE NEUTRAL LUG AVAILABLE, ORDER ONE (1) KIT, MMLK250 FOR (1) #1/0 AWG-600 KCMIL OR (2) #1/0 AWG-250 KCMIL AL/CU (KIT INCLUDES THREE, 2-BARREL LUGS), NEUTRAL WILL ACCOMMODATE TWO, 2-BARREL LUGS ONLY.

SYMBOL	KNOCKOUTS	
	IN	MM
A	.50	13
B	.75	19
E	1.50	38
F	2.00	51
G	2.50	64
H	3.00	76
I	3.50	89
J	4.00	102



DUAL DIMENSIONS: INCHES
MILLIMETERS

NOTES:
FINISH - GRAY BAKED ENAMEL POWDER COAT PAINT OVER CLEANED GALVANNEALED STEEL.
UL LISTED - FILE E-10582, VOL. M, E-131840, VOL. M
SUITABLE FOR USE AS SERVICE EQUIPMENT.
MAIN HORIZONTAL CROSS BUS RATED 800A. ALUMINUM TWO LAMINATIONS (1/4 X 1 3/4)
MAIN DEVICES ARE SEALABLE BY UTILITY.
GANGABLE MULTI-METERING EQUIPMENT IS DESIGNED FOR WALL MOUNTING ONLY
(NOT SUITABLE FOR FLOOR STANDING EQUIPMENT).
WHEN USED AS SERVICE EQUIPMENT, INSTALL BONDING STRAP AND REINSTALL GROUND LUG WHERE APPROPRIATE.

SYSTEM TYPE	MAIN RATING (AMPERES)	CATALOG NUMBER	MAIN CIRCUIT BREAKER (FACTORY INSTALLED)	LINE SIDE PHASE LUG WIRE RANGE FOR AL OR CU CONDUCTORS (SUPPLIED WITH BREAKER)	LINE SIDE NEUTRAL LUG WIRE RANGE FOR AL OR CU CONDUCTORS (FACTORY INSTALLED)	GROUND LUG WIRE RANGE (FACTORY INSTALLED)
1Ø 3W 120/240VAC	400	EZM1400CB	LHP26400●	(1) 1/0-600 OR (2) 1/0-250◆	(1) 1/0-600 OR (2) 1/0-250▲	(1) #6-300

EZ METER-PAK GANGABLE
MULTI-METERING EQUIPMENT
400A 1PH 3W MAIN CIRCUIT BREAKER DEVICES
OVERHEAD / UNDERGROUND FEED
RAINPROOF NEMA TYPE 3R ENCLOSURE



DWG# PWFDS-SYRS-0181
NO.