

TERMINAL LUGS *			
AMPERES	MAX WIRE	MIN WIRE	TYPE
30	#8 AWG	#14 AWG	AL/CU

SYMBOL	CONDUIT SIZE	
	IN	MM
A	.50	13
B	.75	19
C	1.00	25
D	1.25	32

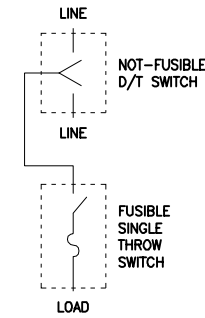
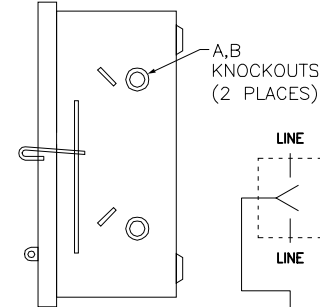
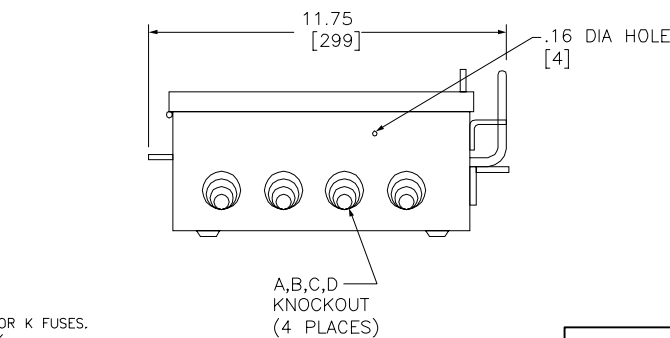
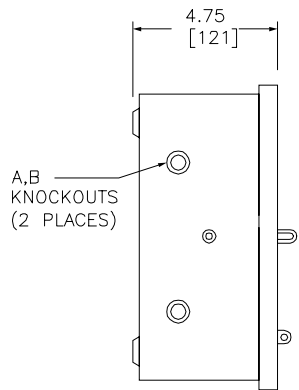
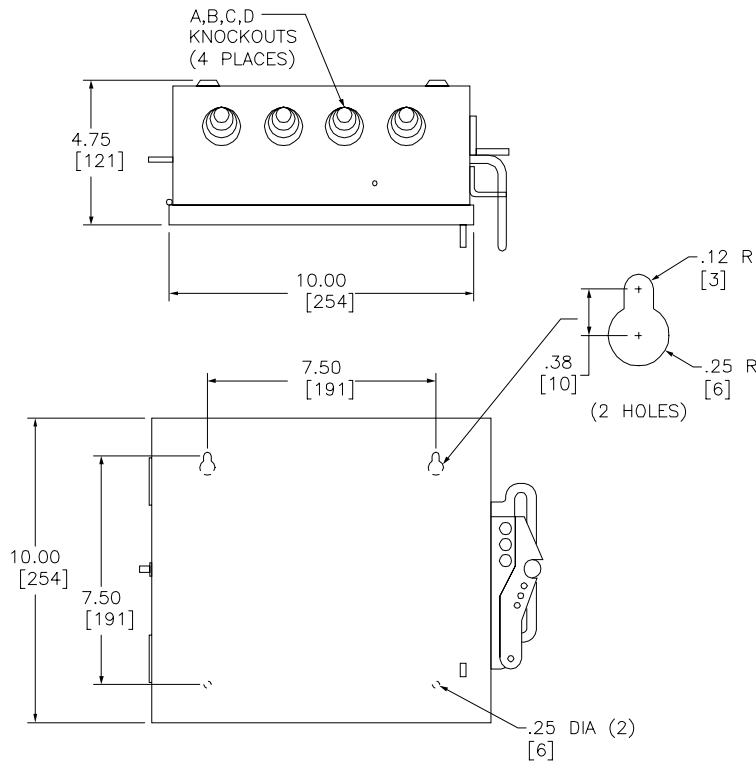


DIAGRAM 1

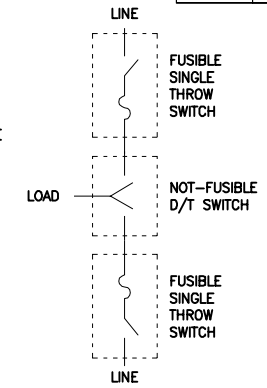


DIAGRAM 2

DIAGRAM 1 AND 2 ILLUSTRATE METHODS OF APPLYING FUSES TO DOUBLE THROW SWITCHES WHEN REQUIRED.

CATALOG NUMBER	SERIES	VOLTAGE RATINGS
92451	T4	240VAC

DUAL DIMENSIONS: INCHES MILLIMETERS

NOTES:
 FINISH - GRAY BAKED ENAMEL
 UL LISTED - FILE E-2875
 SHORT CIRCUIT CURRENT RATING:
 10,000 AMPERES WHEN PROTECTED BY CLASS H OR K FUSES.
 92,000 LINE DEVICES ARE SLOW-MAKE, SLOW-BREAK.
 SUITABLE FOR USE AS SERVICE EQUIPMENT.
 LUGS SUITABLE FOR 60°C OR 75°C COPPER OR ALUMINUM CONDUCTORS.
 * LINE, LOAD, AND SERVICE GROUND.
 ▲ SERVICE GROUND NOT SUPPLIED. ORDER DT30SG SEPARATELY WHEN REQUIRED.

DOUBLE THROW SAFETY SWITCHES
 30 AMPERE
 ENCLOSURE - NEMA TYPE 1 GENERAL PURPOSE
 INDOOR

SQUARE D COMPANY

DWG# 3258
 NO.