

Product data sheet

Specifications

SQUARE D



Industrial control transformer, Type TF, 1 phase, 2000VA, 240x480V primary, 120V secondary, 50/60Hz

9070TF2000D1

Product availability: Stock - Normally stocked in distribution facility

Main

Product or Component Type	Industrial Control Transformer
Type	TF

Complementary

Number of Phases	1 phase
Power Rating	2000 VA UL 2000 VA CSA 2000 VA NOM 1500 VA CE
Primary to Secondary Voltage	240 x 480 V 120 V 230 x 460 V 115 V 220 x 440 V 110 V
Fuse type	0.41 x 1.50 in CC top
Temperature rise	115 °C
Electrical Connection	Screw clamp terminals
Height	7.46 in (189.48 mm)
Width	7.06 in (179.32 mm)
Depth	7.17 in (182.12 mm)
Material	Copper: winding
Fingersafe Cover Compatibility	FSC2

Environment

Product Certifications	CSA file LR37055 guide 184-N-90 UL listed file E61239
Enclosure Type	Not rated (open device)
Insulation temperature	356 °F (180 °C)

Ordering and shipping details

Category	US10CP816203
Discount Schedule	0CP8
GTIN	785901314363
Returnability	Yes
Country of origin	US

Packing Units

Price is "List Price" and may be subject to a trade discount – check with your local distributor or retailer for actual price.

Unit Type of Package 1	PCE
Number of Units in Package 1	1
Package 1 Height	12.00 in (30.48 cm)
Package 1 Width	11.70 in (29.718 cm)
Package 1 Length	15.00 in (38.1 cm)
Package 1 Weight	49.721 lb(US) (22.553 kg)

Contractual warranty

Warranty	18 months
-----------------	-----------

Environmental Data

Schneider Electric aims to achieve Net Zero status by 2050 through supply chain partnerships, lower impact materials, and circularity via our ongoing “Use Better, Use Longer, Use Again” campaign to extend product lifetimes and recyclability.

[Environmental Data explained >](#)

[How we assess product sustainability >](#)

Environmental footprint

[Environmental Disclosure](#)

[Product Environmental Profile](#)

Use Better

Materials and Substances

Packaging made with recycled cardboard

Yes

Packaging without single use plastic

No

[EU RoHS Directive](#)

Compliant with Exemptions

REACH Regulation

[REACH Declaration](#)

California proposition 65

WARNING: This product can expose you to chemicals including: Phenyl glycidyl ether, which is known to the State of California to cause cancer and birth defects or other reproductive harm. For more information go to www.P65Warnings.ca.gov

PVC free

Yes

Use Again

Repack and remanufacture

Circularity Profile

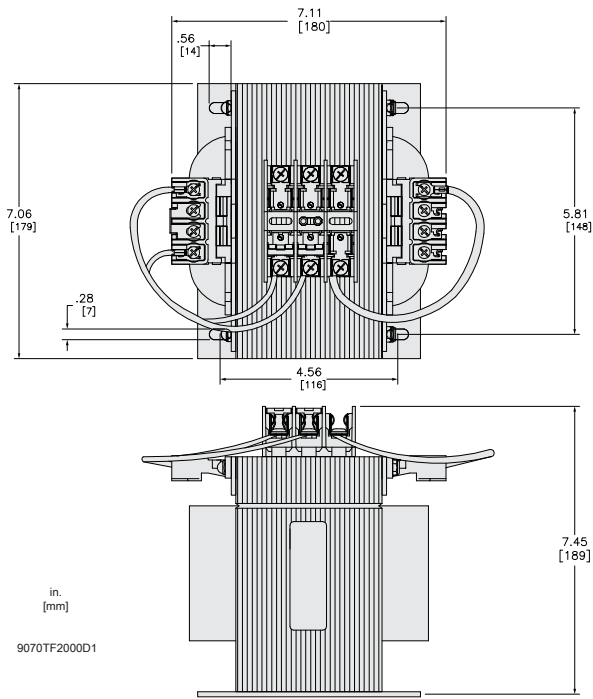
No need of specific recycling operations

Take-back

No

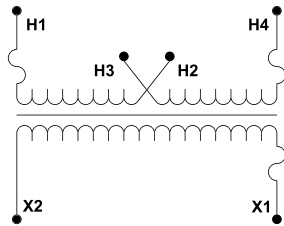
Technical Illustration

Dimensions



Technical Illustration

Wiring diagram



Options

Voltage Code	Voltages		Connections	
	Primary	Secondary	Primary	Secondary
D1	220 x 440 230 x 460 240 x 480	110 115 120	220 or 230 or 240: Connect to H1 and H4 Jumper H1 with H3 Jumper H2 with H4 440 or 460 or 480: Connect to H1 and H4 Jumper H2 with H3	Connect to X1 and X2

REFER TO TECHNICAL DOCUMENTATION FOR COMPLETE INFORMATION.