

Product data sheet

Specifications

SQUARE D



Transformer, Type TF, industrial control, 150 VA, 240/480 VAC primary / 24 VAC secondary, 1 phase, 50/60 Hz, 55 °C rise

9070TF150D2

Product availability: Stock - Normally stocked in distribution facility

Main

Product or Component Type	Industrial Control Transformer
Type	TF

Complementary

Number of Phases	1 phase
Power Rating	150 VA UL 150 VA CSA 150 VA NOM 150 VA CE
Primary to Secondary Voltage	240 x 480 V 24 V
Fuse type	10.3 x 38 mm CC top
Temperature rise	55 °C
Electrical Connection	Screw clamp terminals

Environment

Product Certifications	UL Listed CSA
Enclosure Type	Not rated (open device)
Insulation temperature	221 °F (105 °C)

Ordering and shipping details

Category	US10CP816202
Discount Schedule	0CP8
GTIN	785901905264
Returnability	Yes
Country of origin	MX

Packing Units

Unit Type of Package 1	PCE
Number of Units in Package 1	1
Package 1 Height	6.40 in (16.256 cm)
Package 1 Width	6.80 in (17.272 cm)
Package 1 Length	7.70 in (19.558 cm)

Price is "List Price" and may be subject to a trade discount – check with your local distributor or retailer for actual price.

Package 1 Weight	6.250 lb(US) (2.835 kg)
Unit Type of Package 2	PAL
Number of Units in Package 2	150
Package 2 Height	40.00 in (101.600 cm)
Package 2 Width	40.00 in (101.600 cm)
Package 2 Length	48.00 in (121.920 cm)
Package 2 Weight	937.999 lb(US) (425.469 kg)

Contractual warranty

Warranty	18 months
-----------------	-----------

Environmental Data

Schneider Electric aims to achieve Net Zero status by 2050 through supply chain partnerships, lower impact materials, and circularity via our ongoing “Use Better, Use Longer, Use Again” campaign to extend product lifetimes and recyclability.

[Environmental Data explained >](#)

[How we assess product sustainability >](#)

Environmental footprint

[Environmental Disclosure](#)

[Product Environmental Profile](#)

Use Better

Materials and Substances

Packaging made with recycled cardboard

Yes

Packaging without single use plastic

No

[EU RoHS Directive](#)

Compliant with Exemptions

REACH Regulation

[REACH Declaration](#)

California proposition 65

WARNING: This product can expose you to chemicals including: Phenyl glycidyl ether, which is known to the State of California to cause cancer and birth defects or other reproductive harm. For more information go to www.P65Warnings.ca.gov

PVC free

Yes

Use Again

Repack and remanufacture

Circularity Profile

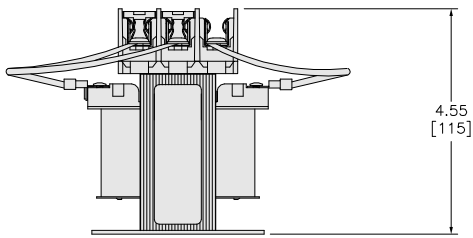
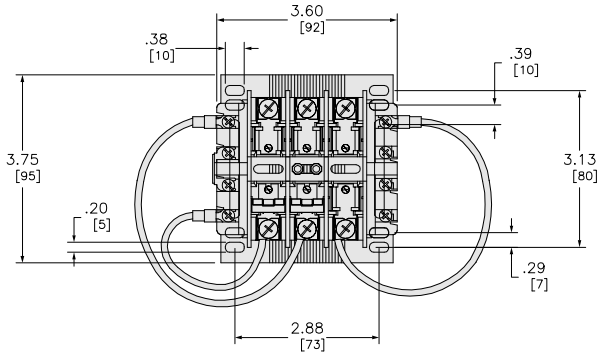
No need of specific recycling operations

Take-back

No

Technical Illustration

Dimensions



in.
[mm]
Catalog Numbers
9070TF150D1
9070TF150D2
9070TF150D23