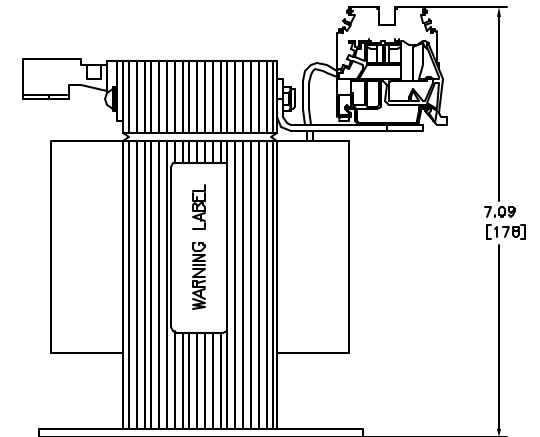
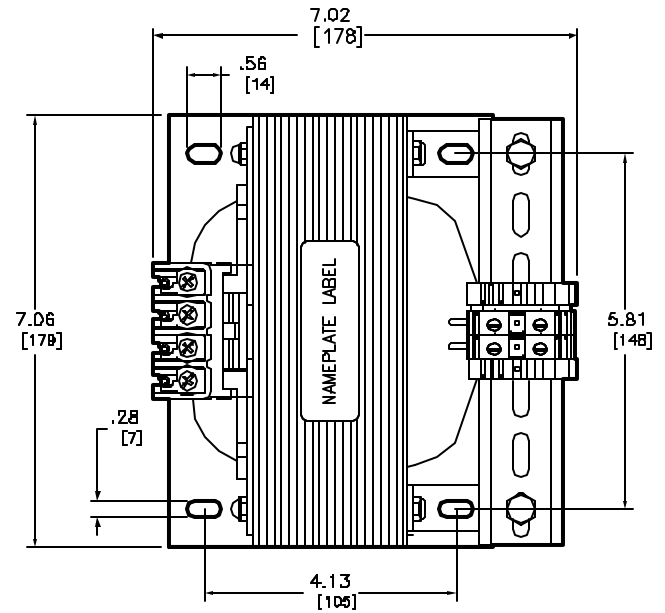


CATALOG NUMBER	PRIMARY VOLTAGE	SECONDARY VOLTAGE	50/60 Hz 1 PHASE		APPROXIMATE WEIGHT (Lbs/Kg)
			UL/eUL/CSA/NOV RATINGS (VA)	CE RATINGS (VA)	
9070T1000D19	208/240/277/380/480	24	1000	N/A	29.6 / 13.4



FILES/STANDARDS:

UL/eUL FILE: E61236  
 CSA FILE: LR37055  
 CE: TUV CERTIFIED TO B1558  
 NDM 117

1000VA—CONTROL POWER TRANSFORMER  
 9070 TYPE T  
 CATALOG NUMBERS: FROM CHART



DWG# 5903  
 ND.