

Product data sheet

Specifications

SQUARE D



Transformer, Type T, industrial control, 1000VA, 1 phase, 240x480V primary, 120V secondary, 115C rise

9070T1000D1

Product availability: Stock - Normally stocked in distribution facility

Main

Product Type	Industrial Control Transformer
Type	T

Complementary

Number of Phases	1 phase
Power Rating	1000 VA UL 1000 VA CSA 1000 VA NOM 630 VA CE
Primary to Secondary Voltage	240 x 480 V 120 V 230 x 460 V 115 V 220 x 440 V 110 V
Temperature Rise	115 °C
Electrical Connection	Screw clamp terminals
Height	4.51 in (114.55 mm)
Width	5.25 in (133.35 mm)
Depth	6.3 in (160.02 mm)
Material	Copper: winding
Fingersafe Cover Compatibility	FSC2

Environment

Certifications	UL listed file E61239 CSA file LR37055 guide 184-N-90
Enclosure Type	Not rated (open device)
Insulation Temperature	356 °F (180 °C)

Ordering and shipping details

Category	US10CP816201
Discount Schedule	0CP8
GTIN	785901904724
Returnability	Yes
Country of origin	MX

Packing Units

Price is "List Price" and may be subject to a trade discount – check with your local distributor or retailer for actual price.

Unit Type of Package 1	PCE
Number of Units in Package 1	1
Package 1 Height	7.00 in (17.780 cm)
Package 1 Width	9.30 in (23.622 cm)
Package 1 Length	9.80 in (24.892 cm)
Package 1 Weight	21.700 lb(US) (9.843 kg)
Unit Type of Package 2	PAL
Number of Units in Package 2	56
Package 2 Height	27.00 in (68.580 cm)
Package 2 Width	40.00 in (101.600 cm)
Package 2 Length	48.00 in (121.920 cm)
Package 2 Weight	1231.999 lb(US) (558.825 kg)

Contractual warranty

Warranty	10 Years
-----------------	----------

Environmental Data

Schneider Electric aims to achieve Net Zero status by 2050 through supply chain partnerships, lower impact materials, and circularity via our ongoing “Use Better, Use Longer, Use Again” campaign to extend product lifetimes and recyclability.

[Environmental Data explained >](#)

[How we assess product sustainability >](#)

Environmental footprint

[Environmental Disclosure](#)

[Product Environmental Profile](#)

Use Better

Materials and Substances

Packaging made with recycled cardboard

Yes

Packaging without single use plastic

No

[EU RoHS Directive](#)

Compliant with Exemptions

REACH Regulation

[REACH Declaration](#)

California proposition 65

WARNING: This product can expose you to chemicals including: Phenyl glycidyl ether, which is known to the State of California to cause cancer and birth defects or other reproductive harm. For more information go to www.P65Warnings.ca.gov

PVC free

Yes

Use Again

Repack and remanufacture

Circularity Profile

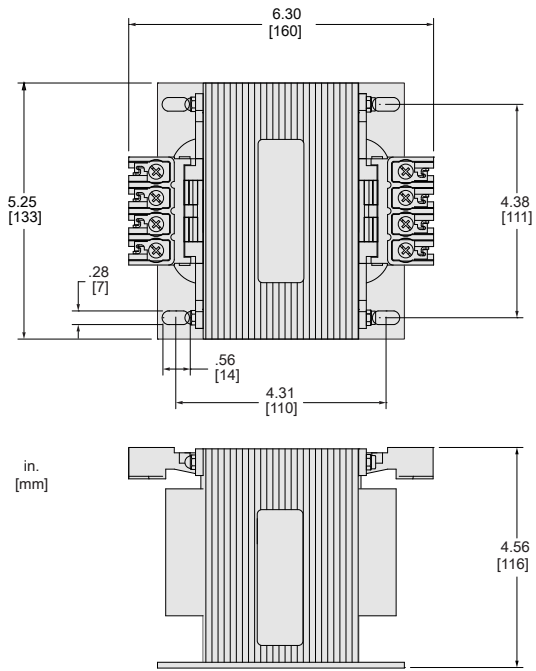
No need of specific recycling operations

Take-back

No

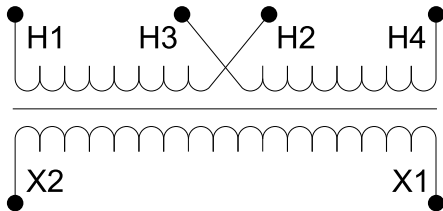
Technical Illustration

Dimensions



Technical Illustration

Wiring diagram



Options

Voltage Code	Voltages		Connections	
	Primary	Secondary	Primary	Secondary
D1	220 x 440	110	220/230/240 V: Connect to H1 and H4 Jumper H1 and H3	Connect to X1 and X2
	230 x 460	115	Jumper H2 with H4	
	240 x 480	120	440/460/480 V: Connect to H1 and H4 Jumper H2 with H3	

REFER TO TECHNICAL DOCUMENTATION FOR COMPLETE INFORMATION.