

## Product data sheet

### Characteristics

# 9001KY1

30mm Push Button, Types K or SK, empty push button enclosure, cast aluminium, one 30 mm hole, NEMA 4 and 13



### Main

Range of Product	Harmony 9001K Harmony 9001SK
Product or Component Type	Empty enclosure
Device short name	9001K
Number of cut-out	1 cut-out
Cable entry	1 entry tapped for 3/4" cable gland

### Complementary

Product destination	For Ø 30 mm control and signalling units
Material	Aluminium
Net Weight	2.58 lb(US) (1.17 kg)

### Environment

Protective treatment	TH
Ambient Air Temperature for Storage	-40...158 °F (-40...70 °C)
Ambient Air Temperature for Operation	-13...158 °F (-25...70 °C)
Overvoltage category	II IEC 61140
NEMA degree of protection	NEMA 1 NEMA 12 NEMA 13 NEMA 3 NEMA 4 NEMA 6

### Ordering and shipping details

Category	21426-9001 K (NOT KA,KM,KX)
Discount Schedule	CS1
GTIN	3389118039025
Nbr. of units in pkg.	1
Package weight(Lbs)	2.60 lb(US) (1.179 kg)
Returnability	Yes
Country of origin	MX

### Packing Units

Unit Type of Package 1	PCE
Package 1 Height	4.00 in (10.16 cm)
Package 1 width	4.20 in (10.668 cm)
Package 1 Length	4.50 in (11.43 cm)
Unit Type of Package 2	S03
Number of Units in Package 2	12
Package 2 Weight	32.97 lb(US) (14.957 kg)
Package 2 Height	11.81 in (30 cm)

Package 2 width	11.81 in (30 cm)
Package 2 Length	15.75 in (40 cm)
Unit Type of Package 3	PAL
Number of Units in Package 3	264
Package 3 Weight	705.00 lb(US) (319.782 kg)
Package 3 Height	40.00 in (101.6 cm)
Package 3 width	40.00 in (101.6 cm)
Package 3 Length	48.00 in (121.92 cm)

## Offer Sustainability

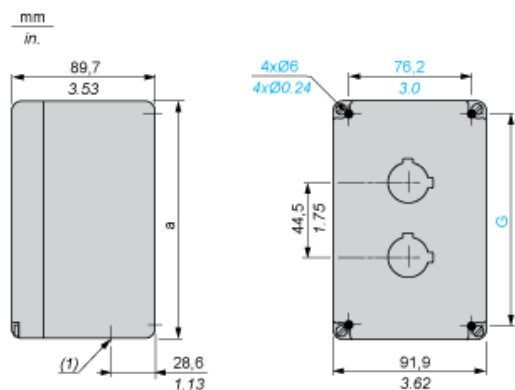
Sustainable offer status	Green Premium product
California proposition 65	WARNING: This product can expose you to chemicals including: Nickel compounds, which is known to the State of California to cause cancer, and Di-isodecyl phthalate (DIDP), which is known to the State of California to cause birth defects or other reproductive harm. For more information go to <a href="http://www.P65Warnings.ca.gov">www.P65Warnings.ca.gov</a>
REACH Regulation	<a href="#">REACH Declaration</a>
REACH free of SVHC	Yes
EU RoHS Directive	Pro-active compliance (Product out of EU RoHS legal scope) <a href="#">EU RoHS Declaration</a>
Toxic heavy metal free	Yes
Mercury free	Yes
RoHS exemption information	<a href="#">Yes</a>
China RoHS Regulation	<a href="#">China RoHS Declaration</a>
Environmental Disclosure	<a href="#">Product Environmental Profile</a>

## Contractual warranty

Warranty	18 months
----------	-----------

Dimensions

Below drawing shows a 2-hole enclosure. Refer to the product characteristics to get the number of holes.



(1) Conduit thread: 9001 KY•: 3/4". 9001 TY•: 14 mm / 0.55 in.

a		G	
mm	in.	mm	in.
101.6	4.00	69.9	2.75