

# Product data sheet

Specifications

SQUARE D



Contactor, Definite Purpose, 40A, 3 pole, 25HP at 575VAC, 3 phase, 24/24VAC 50/60Hz coil, open

8910DPA43V14

Product availability: Stock - Normally stocked in distribution facility

## Main

Product or Component Type	Definite Purpose Contactor
Line Rated Current	40 A
Number of Poles	3P
Pole contact composition	3 NO
Range of Product	DPA

## Complementary

Maximum Horse Power Rating	3 hp 115 V AC, 1 phase 7.5 hp 230 V AC, 1 phase 10 hp 230 V AC, 3 phase 20 hp 460 V AC, 3 phase 25 hp 575 V AC, 3 phase
Locked rotor rated current	240 A 277 V AC 200 A 460 V AC 160 A 575 V AC
[Ue] rated operational voltage	600 V AC
[Uc] control circuit voltage	24 V AC 50/60 Hz
Phase	3 phase
Electrical Connection	Box lugs Quick connect terminals

## Environment

Product Certifications	UL Recognized CSA
------------------------	----------------------

## Ordering and shipping details

Category	US1CP1B21344
Discount Schedule	CP1B
GTIN	785901073451
Returnability	Yes
Country of origin	US

## Packing Units

Unit Type of Package 1	PCE
Number of Units in Package 1	1
Package 1 Height	3.10 in (7.874 cm)

Price is "List Price" and may be subject to a trade discount – check with your local distributor or retailer for actual price.

---

<b>Package 1 Width</b>	2.50 in (6.35 cm)
<b>Package 1 Length</b>	4.00 in (10.16 cm)
<b>Package 1 Weight</b>	16.640 oz (471.736 g)

---

## **Contractual warranty**

---

<b>Warranty</b>	18 months
-----------------	-----------


## Environmental Data

Schneider Electric aims to achieve Net Zero status by 2050 through supply chain partnerships, lower impact materials, and circularity via our ongoing “Use Better, Use Longer, Use Again” campaign to extend product lifetimes and recyclability.


[Environmental Data explained >](#)

[How we assess product sustainability >](#)

### Use Better

 <b>Materials and Substances</b>	
Packaging made with recycled cardboard	Yes
Packaging without single use plastic	Yes
<a href="#">EU RoHS Directive</a>	Compliant with Exemptions

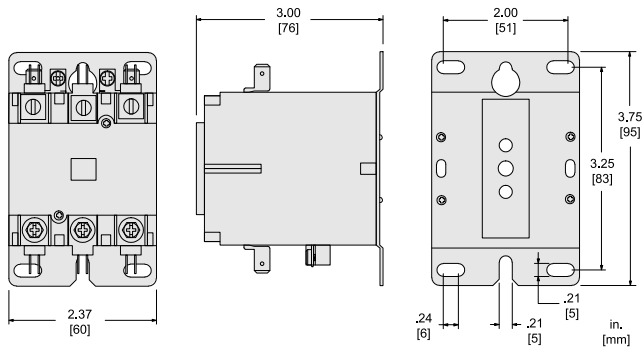
### Use Again

 <b>Repack and remanufacture</b>	
Circularity Profile	No need of specific recycling operations
Take-back	No

Technical Illustration

Dimensions

---



ALL DIMENSIONS ARE APPROXIMATE.  
REFER TO TECHNICAL DRAWINGS AND DOCUMENTATION FOR COMPLETE INFORMATION.

Technical Illustration

Wiring diagram

---

