

Product data sheet

Specifications

SQUARE D



Contactor, Definite Purpose, 40A, 3 pole, 25HP at 575VAC, 3 phase, 440/480VAC 50/60Hz coil, open

8910DPA43V06

Product availability: Stock - Normally stocked in distribution facility

Main

Product or Component Type	Definite Purpose Contactor
Line Rated Current	40 A
Number of Poles	3P
Pole contact composition	3 NO
Range of Product	DPA

Complementary

Maximum Horse Power Rating	3 hp 115 V AC, 1 phase 7.5 hp 230 V AC, 1 phase 10 hp 230 V AC, 3 phase 20 hp 460 V AC, 3 phase 25 hp 575 V AC, 3 phase
Locked rotor rated current	240 A 277 V AC 200 A 460 V AC 160 A 575 V AC
[Ue] rated operational voltage	600 V AC
[Uc] control circuit voltage	440 V AC 50 Hz 480 V AC 60 Hz
Phase	3 phase
Electrical Connection	Quick connect terminals Box lugs

Environment

Product Certifications	UL Recognized CSA
------------------------	----------------------

Ordering and shipping details

Category	US1CP1B21344
Discount Schedule	CP1B
GTIN	785901024484
Returnability	Yes
Country of origin	MX

Packing Units

Unit Type of Package 1	PCE
Number of Units in Package 1	1
Package 1 Height	3.20 in (8.128 cm)

Price is "List Price" and may be subject to a trade discount – check with your local distributor or retailer for actual price.

Package 1 Width	3.90 in (9.906 cm)
Package 1 Length	2.50 in (6.35 cm)
Package 1 Weight	16.320 oz (462.664 g)

Contractual warranty

Warranty	18 months
-----------------	-----------


Environmental Data

Schneider Electric aims to achieve Net Zero status by 2050 through supply chain partnerships, lower impact materials, and circularity via our ongoing “Use Better, Use Longer, Use Again” campaign to extend product lifetimes and recyclability.


[Environmental Data explained >](#)

[How we assess product sustainability >](#)

Use Better

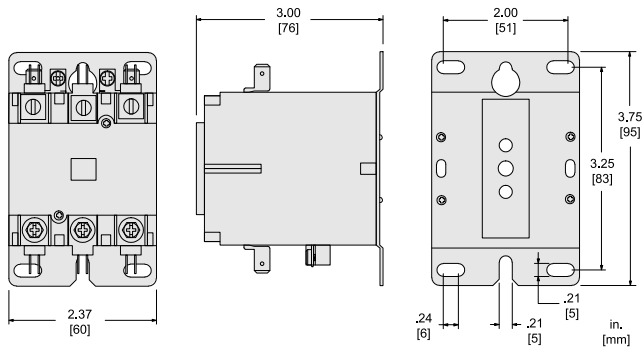
 Materials and Substances	
Packaging made with recycled cardboard	Yes
Packaging without single use plastic	Yes
EU RoHS Directive	Compliant with Exemptions

Use Again

 Repack and remanufacture	
Circularity Profile	No need of specific recycling operations
Take-back	No

Technical Illustration

Dimensions



ALL DIMENSIONS ARE APPROXIMATE.
REFER TO TECHNICAL DRAWINGS AND DOCUMENTATION FOR COMPLETE INFORMATION.

Technical Illustration

Wiring diagram

