

Product data sheet

Specifications

SQUARE D



Contactor, Definite Purpose, 30A,
3 pole, 20HP at 575VAC, 3 phase,
110/120VAC 50/60Hz coil, open

8910DPA33V02

Product availability: Stock - Normally stocked in distribution facility

Main

Product or Component Type	Definite Purpose Contactor
Line Rated Current	30 A
Number of Poles	3P
Pole contact composition	3 NO
Range of Product	DPA

Complementary

Maximum Horse Power Rating	2 hp 115 V AC, 1 phase 5 hp 230 V AC, 1 phase 10 hp 230 V AC, 3 phase 15 hp 460 V AC, 3 phase 20 hp 575 V AC, 3 phase
Locked rotor rated current	150 A 460 V AC 120 A 575 V AC 180 A 277 V AC
[Ue] rated operational voltage	600 V AC
[Uc] control circuit voltage	120 V AC 60 Hz 110 V AC 50 Hz
Phase	3 phase
Electrical Connection	Binder head Quick connect terminals
Height	2.31 in (58.67 mm) 2.31 in (58.70 mm)
Width	2.37 in (60.20 mm) 2.4 in (60.2 mm)
Depth	2.90 in (73.66 mm) 3.0 in (76 mm)
Product Weight	0.99 lb(US) (0.45 kg) 0.99 lb(US) (0.45 kg)

Environment

Product Certifications	UL Recognized CSA
------------------------	----------------------

Ordering and shipping details

Category	US1CP1B21343
Discount Schedule	CP1B
GTIN	785901073536

Price is "List Price" and may be subject to a trade discount – check with your local distributor or retailer for actual price.

Returnability	Yes
---------------	-----

Country of origin	US
-------------------	----

Packing Units

Unit Type of Package 1	PCE
------------------------	-----

Number of Units in Package 1	1
------------------------------	---

Package 1 Height	2.60 in (6.604 cm)
------------------	--------------------

Package 1 Width	3.20 in (8.128 cm)
-----------------	--------------------

Package 1 Length	4.20 in (10.668 cm)
------------------	---------------------

Package 1 Weight	16.480 oz (467.200 g)
------------------	-----------------------

Unit Type of Package 2	CAR
------------------------	-----

Number of Units in Package 2	8
------------------------------	---

Package 2 Height	5.40 in (13.716 cm)
------------------	---------------------

Package 2 Width	7.10 in (18.034 cm)
-----------------	---------------------

Package 2 Length	8.20 in (20.828 cm)
------------------	---------------------

Package 2 Weight	8.241 lb(US) (3.738 kg)
------------------	-------------------------

Contractual warranty

Warranty	18 months
----------	-----------


Environmental Data

Schneider Electric aims to achieve Net Zero status by 2050 through supply chain partnerships, lower impact materials, and circularity via our ongoing “Use Better, Use Longer, Use Again” campaign to extend product lifetimes and recyclability.


[Environmental Data explained >](#)

[How we assess product sustainability >](#)

Use Better

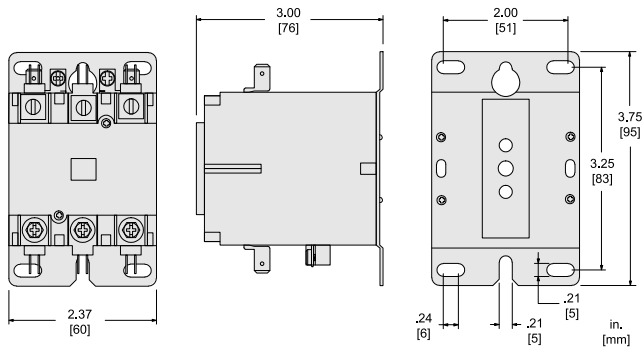
 Materials and Substances	
Packaging made with recycled cardboard	Yes
Packaging without single use plastic	Yes
EU RoHS Directive	Compliant with Exemptions
SCIP Number	9635bca0-88f5-4211-aaa3-d012e1850a41

Use Again

 Repack and remanufacture	
Circularity Profile	No need of specific recycling operations
Take-back	No

Technical Illustration

Dimensions



ALL DIMENSIONS ARE APPROXIMATE.
REFER TO TECHNICAL DRAWINGS AND DOCUMENTATION FOR COMPLETE INFORMATION.

Technical Illustration

Wiring diagram

