

# XACB06

Harmony XAC, Empty pendant control station, plastic, yellow, 6 cut-outs, for cable Ø 10...22 mm



## Main

|                           |                         |
|---------------------------|-------------------------|
| Range of Product          | Harmony XAC             |
| Product or Component Type | Pendant control station |
| Device short name         | XACB                    |

## Complementary

|                                       |  |
|---------------------------------------|--|
| Control station type                  | Double insulated   |
| Enclosure Material                    | Glass reinforced polyester                                   |
| Electrical circuit type               | Control circuit<br>Power circuit                             |
| Enclosure Type                        | Empty enclosure  |
| Number of cut-out                     | 6 cut-outs   |
| Control station colour                | Yellow   |
| Cable entry                           | Rubber sleeve with stepped entry 0.39...0.87 in (10...22 mm) |
| Guard rail                            | Without  |
| Vertical operator cut-out centre      | 1.57 in (40 mm)  |
| Standards                             | CSA C22.2 No 14<br>EN/IEC 60947-5-1                          |
| Product Certifications                | CSA type 4   |
| Protective treatment                  | TH   |
| Ambient Air Temperature for Operation | -13...158 °F (-25...70 °C)                                   |
| Ambient Air Temperature for Storage   | -40...158 °F (-40...70 °C)                                   |
| Vibration resistance                  | 15 gn 10...500 Hz)IEC 60068-2-6                              |
| Shock resistance                      | 100 gn IEC 60068-2-27  |
| Overvoltage category                  | Class II IEC 61140   |
| IP degree of protection               | IP65 conforming to IEC 60529                                 |
| IK degree of protection               | IK08 EN 50102  |
| Mechanical durability                 | 1000000 cycles   |
| Net Weight                            | 2.56 lb(US) (1.16 kg)  |

## Ordering and shipping details

|                       |                            |
|-----------------------|----------------------------|
| Category              | 22473-PUSHBUTTON, PENDANTS |
| Discount Schedule     | CS2                        |
| GTIN                  | 3389110640526              |
| Nbr. of units in pkg. | 1                          |
| Package weight(Lbs)   | 2.74 lb(US) (1.245 kg)     |
| Returnability         | Yes                        |
| Country of origin     | CZ                         |

## Packing Units

|                              |                          |
|------------------------------|--------------------------|
| Unit Type of Package 1       | PCE                      |
| Package 1 Height             | 3.94 in (10 cm)          |
| Package 1 width              | 4.33 in (11 cm)          |
| Package 1 Length             | 27.56 in (70 cm)         |
| Unit Type of Package 2       | P06                      |
| Number of Units in Package 2 | 25                       |
| Package 2 Weight             | 86.26 lb(US) (39.125 kg) |
| Package 2 Height             | 28.94 in (73.5 cm)       |
| Package 2 width              | 31.50 in (80 cm)         |
| Package 2 Length             | 23.62 in (60 cm)         |

## Offer Sustainability

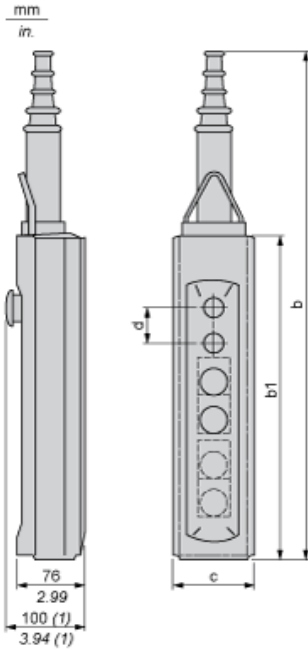
|                            |  |
|----------------------------|--|
| California proposition 65  | WARNING: This product can expose you to chemicals including: Nickel compounds, which is known to the State of California to cause cancer, and Di-isodecyl phthalate (DIDP), which is known to the State of California to cause birth defects or other reproductive harm. For more information go to <a href="http://www.P65Warnings.ca.gov">www.P65Warnings.ca.gov</a> |
| REACH Regulation           | <a href="#">REACH Declaration</a>  |
| REACH free of SVHC         | Yes  |
| EU RoHS Directive          | Pro-active compliance (Product out of EU RoHS legal scope) <a href="#">EU RoHS Declaration</a>   |
| Toxic heavy metal free     | Yes  |
| Mercury free               | Yes  |
| RoHS exemption information | <a href="#">Yes</a>  |
| China RoHS Regulation      | <a href="#">China RoHS Declaration</a>   |

## Contractual warranty

|          |           |
|----------|-----------|
| Warranty | 18 months |
|----------|-----------|

Dimensions

Below drawing shows a product with 6 cut-outs. Select the number of cut-outs according to the product characteristics in order to get b, b1 and c dimensions.



(1) With mushroom head operator

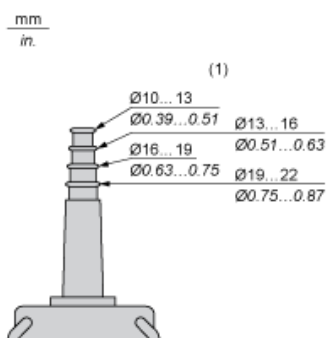
Dimensions in mm

| Number of cut-outs | 2   | 4   | 6   | 8   | 12  |
|--------------------|-----|-----|-----|-----|-----|
| b                  | 409 | 499 | 589 | 679 | 679 |
| b1                 | 220 | 310 | 400 | 490 | 490 |
| c                  | 98  | 98  | 98  | 98  | 98  |
| d                  | 40  | 40  | 40  | 40  | 30  |

Dimensions in in.

| Number of cut-outs | 2     | 4     | 6     | 8     | 12    |
|--------------------|-------|-------|-------|-------|-------|
| b                  | 16.10 | 19.64 | 23.19 | 26.73 | 26.73 |
| b1                 | 8.66  | 12.20 | 15.75 | 19.29 | 19.29 |
| c                  | 3.86  | 3.86  | 3.86  | 3.86  | 3.86  |
| d                  | 1.57  | 1.57  | 1.57  | 1.57  | 1.18  |

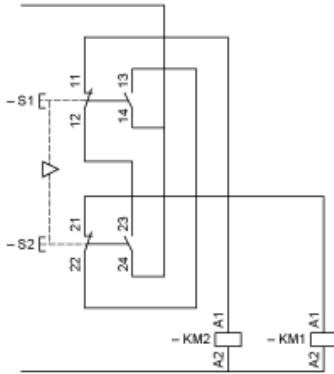
Protective cable sleeves



(1) Internal Ø

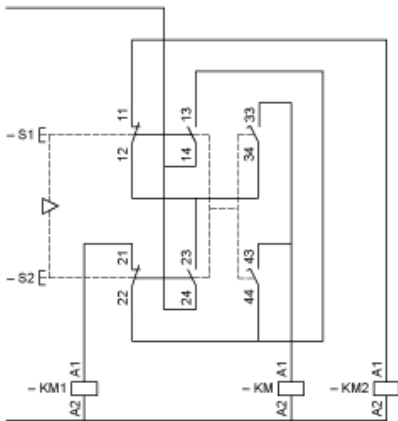
Control of Single-Speed Reversing Motor

With XESD1181 contact block, to be ordered separately



Control of 2-Speed Reversing Motor

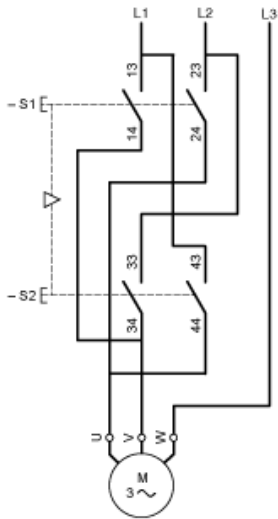
With XESD1281 contact block, to be ordered separately



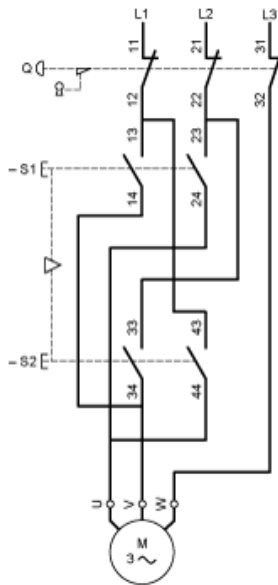
KM High speed contactor

Control of Single-Speed Reversing Motor 2-Phase Switching

With XESD1191 contact block, to be ordered separately

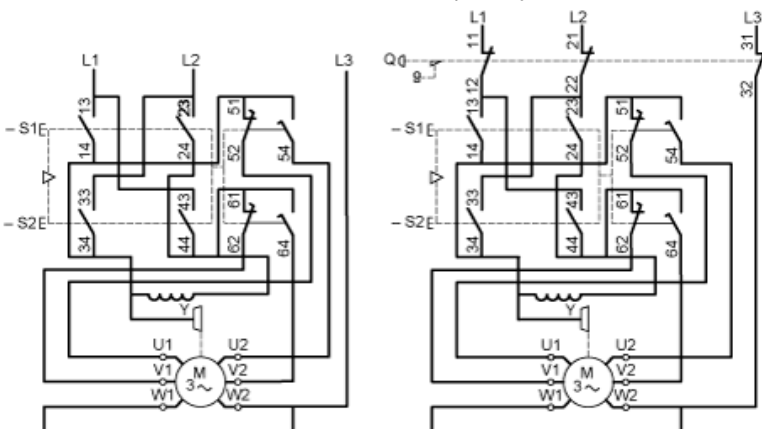


Combined with 3-pole isolating block XACS399 or XACS3991, shown in the unoperated position (pendant station “supplied”), fitted with key release trigger action latching Emergency stop operator.



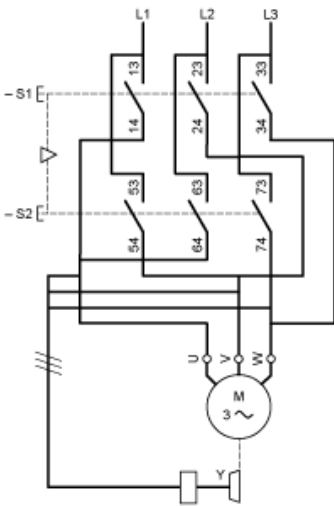
### Control of 2-Speed Reversing Motor 2-Phase Switching

With XESD1291 contact block, to be ordered separately



### Control of Single-Speed Reversing Motor 3-Phase switching, Reversing by 2-Phase Inversion

With XESD2201 contact block, to be ordered separately



### Control of Single-Speed Reversing Motor 3-Phase switching, Reversing by 2-Phase Inversion

With XESD2241 contact block, to be ordered separately

